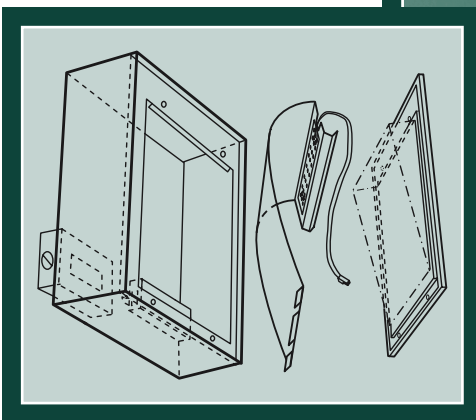
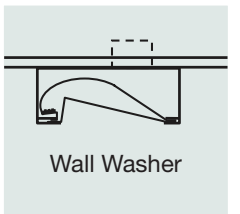
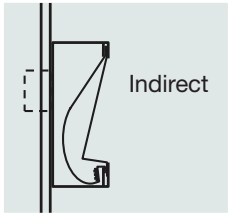


ELP

ENGINEERED LIGHTING
PRODUCTS

WLS LED SERIES

SURFACE Mount Wet Location
Low Level Floodlight



*Ideal placement is 18" to 36"
from the bottom edge of
fixture to the ground.*

System

Wet Location low level floodlights with a shallow depth of only 4". Their unique Regress Lens design provides very low brightness. Indirect LED lamps combined with the high purity aluminum reflector system provides high light levels with low energy.



WLS LED SERIES

TYPE:
CATALOG #:
JOB:

SURFACE Mount Wet Location
Low Level Floodlight

Specifications

Surface mounted wet location low level floodlight with LED lamps. The 1' fixture utilizes one high efficacy, LED module at 11 watts and the 2' utilizes two modules at 22 watts. Fixtures utilize Osram PrevaLED® arrays that are 80+ CRI and rated greater than 60,000 hours. The fixture is 4" deep and the one piece, formed reflector is high-purity aluminum (99.9%) with 97% reflectance. Combined with LED lamps, the reflector system provides high light levels and a wide throw of light with low energy.

Housing is made of 18 gauge electro-plated galvanized steel, which is post painted with a primer coat of 3M™ Scotchkote™. The fusion bonded epoxy primer protects metal from corrosion. Then the housing is TGIC polyester powder coated, making it suitable for outdoor locations. Formed aluminum face plate attaches with screws and has a gasketed 3/16" acrylic regressed lens. The regressed lens design provides very low brightness. Attached J-Box suitable for through wiring. Contact factory for Knock-Out option without J-Box. All fixtures are supplied standard with Luminaire Disconnect. c/CSA/us Wet Location Listed – Made in the USA

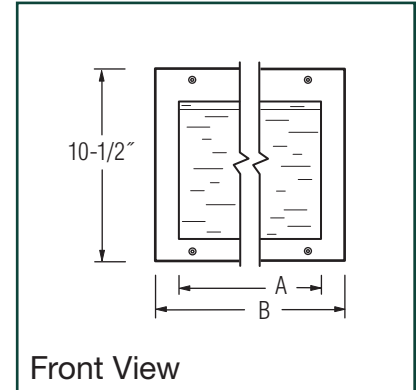
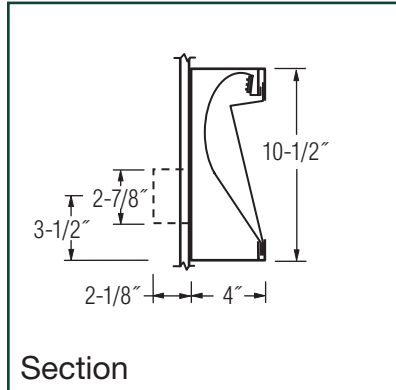
U.S. Patent #9,726,337

Options

- Driver 120/277 0-10 volt, Osram OT True 1% Dim (Standard)
 - With End Of Life Indicator -EOL
 - With Soft Start -SFT
 - With Dim To Off -DTO
- For Alternate Dimming:**
 - 3-wire/Digital, Lutron ECO Systems L3D 1% -DM6
 - Digital, Lutron LDE 1% -DM8
 - LDE Standard Features include Soft-On, Fade to Black and Guaranteed 1% Dimming
 - Lower Lumen Output (222W1 model only) -LL***
- Wireless Osram Sylvania Connected Lighting Module -WLMS***
- LED **Must Specify ***
 - 3000K -30K
 - 3500K -35K
 - 4000K -40K
 - 5000K -50K***
- Finish Black (Standard)
 - Bronze -BZ
 - Custom -Custom
- Fixture Electro-Plated Galvanized Steel (Standard)
 - Stainless Steel -SS
- Lens Regressed Acrylic (Standard)
 - Regressed Polycarbonate -LEX
 - Flat Acrylic -FL
 - Flat Polycarbonate -FL-LEX
 - Flat Tempered Glass -TLG
- Reflector Diffuse Silver 97 (Standard)
 - Stepped Diffuse Silver -ST

LEED NOTE: WLS Series fixtures have a B0-U2-G1 BUG rating (rates amount of Back light, Up light and Glare) and in Zones LZ2 thru LZ4 can contribute to:

**LEED Sustainable Site Credit 8 (SS8):
Light Pollution Reduction – 1 point**



Model No.	A	B	Lamp	**Fixture Lumens
111W1WLS-(*K)	7-7/8"	10-7/8"	(1) 10.8w LEDs	799
222W1WLS-(*K)	22-1/4"	25-3/8"	(2) 10.8w LEDs	1598

111W1WLS-30K		(2) Fixtures				Light Levels on the Ground				
12' O.C. / 30' from Ground to Lamp										
.9	7.3	23.8	7.3	.9	.3	.9	7.3	23.8	7.3	.9
3.2	15.8	37.6	15.8	3.4	1.3	3.4	15.8	37.6	15.8	3.2
3.9	12.6	23.0	12.6	4.3	2.3	4.3	12.6	23.0	12.6	3.9
3.3	8.0	11.9	8.2	3.8	2.5	3.8	8.2	11.9	8.0	3.3
2.5	4.8	6.5	5.0	3.0	2.3	3.0	5.0	6.5	4.8	2.5
1.8	3.1	3.8	3.2	2.3	1.9	2.3	3.2	3.8	3.1	1.8
1.3	2.0	2.4	2.2	1.7	1.5	1.7	2.2	2.4	2.0	1.3
1.0	1.4	1.6	1.5	1.3	1.2	1.3	1.5	1.6	1.4	1.0
.7	1.0	1.1	1.1	1.0	1.0	1.0	1.1	1.1	1.0	.7
.6	.7	.8	.8	.8	.8	.8	.8	.8	.7	.6

IES File #111W1CP-WLS-30 - Maintained Light Levels

*** Consult Factory.

Note: All LED luminaires are provided standard with dimming driver with -20° starting and have a 5 year warranty.