

ALP™ E

Contractor Grade Area Light



DESCRIPTION

The ALP™ E is the ideal choice for illumination of almost any outdoor area. With a variety of lumen packages up to 24,000 lumens, the ALP™ E can replace up to 450W metal halide lamps. The ALP™ E has a variety of optional accessories including photocell receptacles, glare shields, bi-level occupancy sensors, finish colors and mounts. Compatible poles, brackets, and pole accessories are also offered, making the ALP™ E an important part of a complete outdoor solution.

APPLICATIONS

Commercial Parking Lots, Pedestrian Pathways, Street Lighting



FEATURES

Construction

Rugged die-cast aluminum housing. 3G vibration rated compact design to minimize wind load requirements.

Electrical

Input Voltage: 120-277V or 347-480V (Optional)
 Projected L70 > 100,000 hrs
 Surge Protection:
 - 6kV Standard
 - 10kV Optional

Optical System

Available in distribution:
 Type III, Type IV, and Type V



Wet Location Rated



Dark Sky Friendly (Zero Uplight)

Finish

Dark Bronze (Standard), White, Grey, Black

Power Factor

≥0.9

CCT

Available in:
 4000K, 5000K



On/Off Photocell Option



Bi-Level Occupancy/Daylight Harvesting Sensor Option

EPA Rating/Enclosure Rating

EPA: See Page 4.
 Wet Location Rated

Controls

1-10V Dimming standard.
 Bi-Level Occupancy/Daylight Harvesting Sensor available.
 On/Off Photocell option available.
 Dimulator Dimming Photocontrol available.

CRI

≥70

Operating Temperature

-40°F~113°F

Installation/Mounting

See Page 3.

Warranty

5 Year Warranty.
 See warranty documentation for more information.

Ordering Information

EXAMPLE: ALPE-200-50-3-U-SQP-D-D0

Series	Wattage	CCT	Distribution	Input Voltage	Mount	Finish	Control
ALPE	40 - 40W 70 - 70W 100 - 100W 150 - 150W 200 - 200W	40 - 4000K 50 - 5000K	3 - Type III 4 - Type IV 5 - Type V	U - 120-277VAC H - 347-480VAC	SQP (For Square Pole) ROP (For Round Pole) SLF (For Slipfitter) WAM (Wall Mount)	D - Dark Bronze *G - Gray *B - Black *W - White	D0 (1-10V Dimming Without Control Sensors) D1-3SC (3 Pin Receptacle W/Shortcap) D1-3PC (3 Pin Receptacle W/On/Off Photocell) D1-7SC (7 Pin Receptacle W/Shortcap) D1-7PC (7 Pin Receptacle W/On/Off Photocell) D4 (Bi-level Occupancy/Daylight Harvesting Sensor) DIM4-U - Dimulator 120-277 VAC with 7 pin DIM4-H - Dimulator 480VAC with 7 pin

Accessories

- SP-U-10kV (10kV Surge Protection [120-277V])
- ALPE-S-BLS (Back Light Shield [40W~100W])
- ALPE-M-BLS (Back Light Shield [150W~200W])

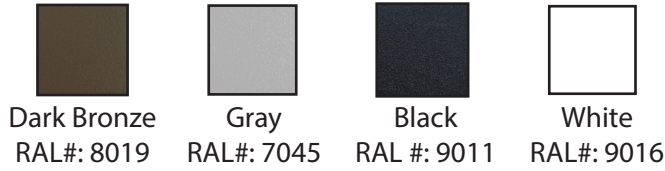
Specifications and Dimensions subject to change without notice.

*MOQ and longer lead times may apply, please contact customer service for more information.

Features

Finish

- Standard Finish: Dark Bronze
- Available Finish:



Constructions

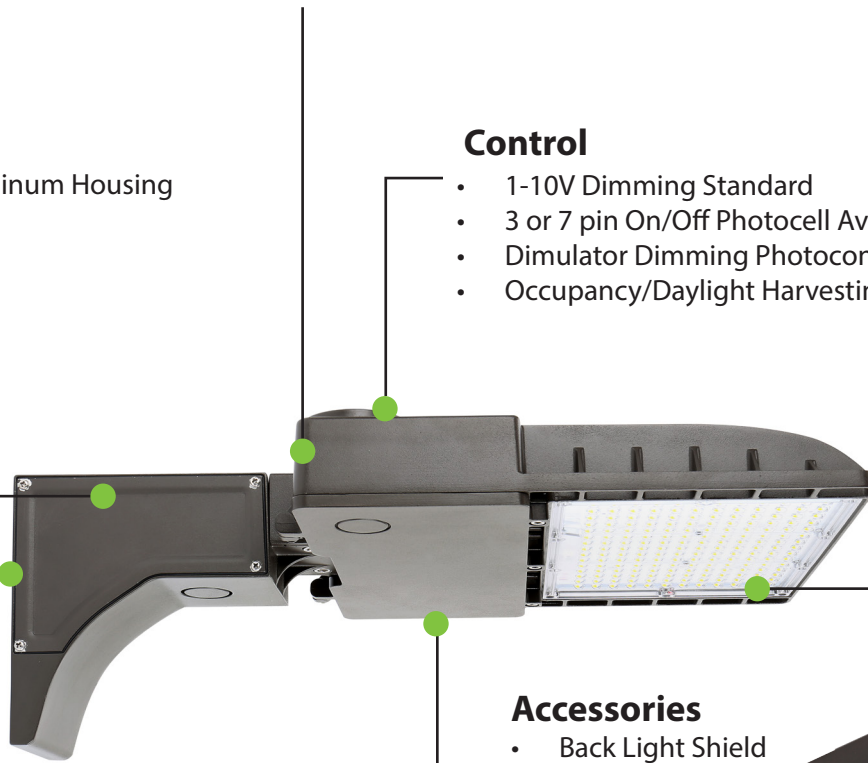
- Single Piece Die-cast Aluminum Housing
- Integral Heatsink
- Wet Location Rated

Control

- 1-10V Dimming Standard
- 3 or 7 pin On/Off Photocell Available
- Dimulator Dimming Photocontrol Available
- Occupancy/Daylight Harvesting Sensor Available

Distribution

- Type III, IV, V Distribution

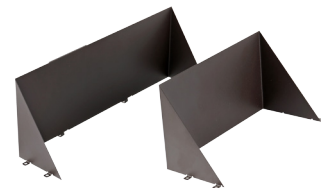


Mounting

- Square Pole Mount
- Round Pole Mount
- Slipfitter
- Wall Mount

Accessories

- Back Light Shield



Electrical

- 120-277VAC & 347-480VAC Available
- Protection:
 - 6kV Standard
 - 10kV Optional

HID/MH Replacment Guide

Lumen (4000K ,TypeIV)	ALP™ E	HID/MH
5360	40W	175W
9310	70W	200W
13200	100W	250W
19800	150W	400W
24600	200W	400W

Mounts



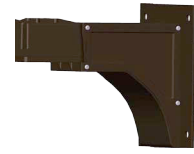
Square Pole Mount
[SQP]



Round Pole Mount
[ROP]

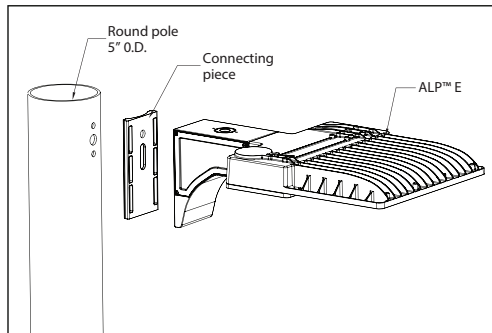


Slipfitter
(Fits 2 3/8" O.D. Horz. Dia. Tenon)
[SLF]

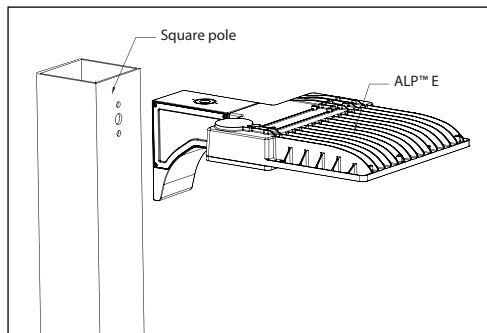


Wall Mount
[WAM]

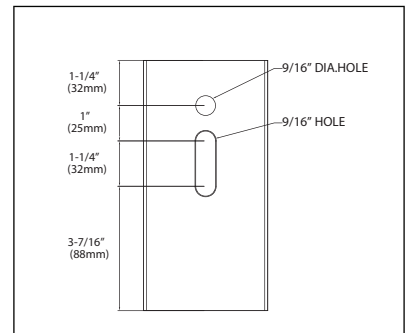
Mounts Installation



Round Pole Installation



Square Pole Installation



Drill Pattern Template

Accessories



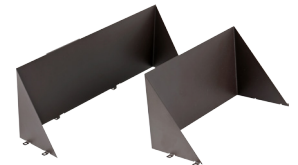
3 Pin Or 7 Pin Receptacle &
On/Off Photocell
[D1-3PC, D1-7PC]



7 Pin Receptacle &
Dimulator
[DIM4-U or DIM4-H]



Bi-level Occupancy/
Daylight Harvesting Sensor
[D4]



Back Light Shield
[ALPE-S-BLS, ALPE-M-BLS]

Control Pre-Commissioning

Default settings are indicated by *

Sensitivity Range	Time Delay	Daylight Harvesting	Stand-by Light Level Setting	Stand-by Time Setting
20%	10s	*Light sensor disabled	0%	∞
50%	1min	1 FC (10lux)	*10%	1min
75%	*5min	3 FC (30lux)	30%	30min
*100%	15min	5 FC (50lux)	50%	*60min

Sensitivity Range:
Setting that determines the range of the motion sensor when the daylight sensor is disable.

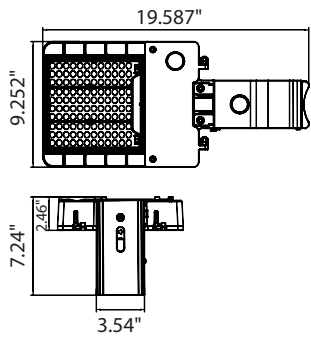
Time Delay:
The light can be set to stay ON for any period of time between approx. 10sec and the maximum of 60 min. Any movement detected before this time elapses will re-start the timer.

Daylight Harvesting:
The chosen light response threshold can be infinitely from approx. 1-5 FC.

Standy-by Light Level:
Setting determines how much lumen output is dimmed down to when no motion is detected.

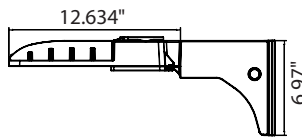
Stand-by Time:
Setting determines how long after stand-by light level occurs the light will shut off. Up to 60 minutes.

Technical Detail



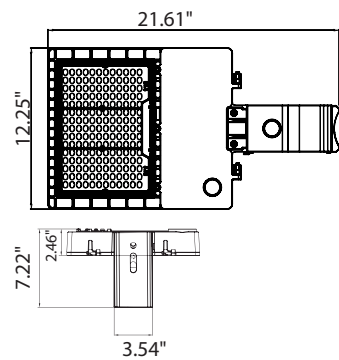
EPA: 0.35ft²

Net weight:
 40W: 8.60 lbs.
 70W: 8.93 lbs.
 100W: 9.35 lbs.



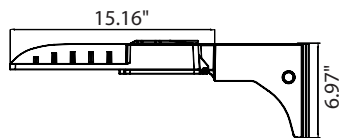
Wattage	*System Efficacy	
	4000K	5000K
40W	140lm/W	143lm/W
70W	139lm/W	140lm/W
100W	138lm/W	139lm/W

Configuration	1	2@90°	2@120°	2@180°	3@90°	3@120°	4@90°
EPA (ft ²)	0.35	0.60	0.80	0.69	0.95	1.05	0.95
Weight (lbs.)	8.60	17.2	17.2	17.2	25.8	25.8	34.4



EPA: 0.43ft²

Net weight:
 150W: 12.32 lbs.
 200W: 12.88 lbs.

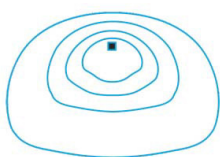


Wattage	*System Efficacy	
	4000K	5000K
150W	137lm/W	139lm/W
200W	128lm/W	130lm/W

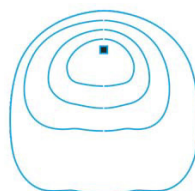
Configuration	1	2@90°	2@120°	2@180°	3@90°	3@120°	4@90°
EPA (ft ²)	0.43	0.72	0.85	0.85	1.14	1.17	1.14
Weight (lbs.)	12.32	24.64	24.64	24.64	36.96	36.96	49.28

Photometric Data

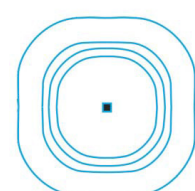
* IESNA LM-63 IES Available



Type III



Type IV



Type V

Performance Table

Lumen Output

Lumen value are from photometric test performed in accordance with IESNA LM-70-08. Data is considered to be representative of the configurations shown, within the tolerances allowed by Lighting Facts Contact factory for performance data on any configurations not shown here.

System Watts	Dist. Type	4000K				5000K			
		Lumens	B	U	G	Lumens	B	U	G
40W	3	5400	1	0	1	5500	1	0	1
	4	5360	1	0	1	5480	1	0	1
	5	5600	3	0	1	5720	3	0	1
70W	3	9500	2	0	2	9600	2	0	2
	4	9310	2	0	2	9450	2	0	2
	5	9730	3	0	2	9800	3	0	2
100W	3	13500	2	0	2	13800	2	0	2
	4	13200	2	0	2	13300	2	0	2
	5	13800	3	0	2	13900	3	0	2
150W	3	21000	3	0	3	21300	3	0	3
	4	19800	3	0	3	20000	3	0	3
	5	20500	4	0	2	20800	4	0	2
200W	3	25500	3	0	3	26000	4	0	4
	4	24600	3	0	3	24800	3	0	3
	5	25500	4	0	2	26000	4	0	2

Electrical Load

System Wattage (W)	Current (A)					
	120V	208V	240V	277V	347V	480V
40	0.33	0.19	0.17	0.14	0.13	0.09
70	0.58	0.34	0.29	0.25	0.22	0.16
100	0.83	0.48	0.42	0.36	0.29	0.21
150	1.25	0.72	0.63	0.54	0.43	0.31
200	1.67	0.96	0.83	0.72	0.58	0.42

Dimulator

Stand-Alone LED Dimming Photocontrol



Features

- Factory preset dimming - no selector switch
- 10 Year Warranty
- Compliant with ANSI C136.41 receptacle
- Optional constant all night dimming
- Adaptive lighting control with progressive intensities
- 40kV Surge Protection
- High voltage version available
- Advance time/date algorithm auto-adjusts for daylight savings
- Automatically synchronize to local time

Bat Eye Technology

- Advanced light sensor, only reacts to sunlight
- Immune to LED and other artificial light
- No false activation (no cycling)
- May be oriented in any direction



Patent #9210746

ELL Photocell

Extra Long Life Photocontrol



Features

- Designed to meet or exceed the life expectancy of LED fixtures.
- 10 Year Warranty
- 40kV Surge Protection
- High voltage version available

Bat Eye Technology

- Advanced light sensor, only reacts to sunlight
- Immune to LED and other artificial light
- No false activation (no cycling)
- May be oriented in any direction

