

**Disk Downlight**

**Flush Mount**



**DESCRIPTION**

The Disk Downlight is a flush mount ceiling lighting solution that provides cost-effective general purpose illumination. It features a CCT switch that is field adjustable between 2700K, 3000K, 3500K, 4000K, and 5000K. The Disk Downlight is an ideal solution for new construction that can be quickly installed to a standard 4" junction box without the need for a recessed can light housing.

**APPLICATIONS**

Hospitality, Airports, Schools, Offices, Retail, Residential

**FEATURES**



**Disk Downlight**

- 4", 12W (840 lm)
- 6", 15W (1,050 lm)
- 8", 18W (1,260 lm)
- 10", 20W (1,400 lm)
- 12", 25W (1,800 lm)

**Construction**

Spun aluminum housing.

**Electrical**

Input Voltage: 120VAC

**Optical System**

PC lens for a comfortable light distribution providing a 104° beam angle.

**Installation/Mounting**

Flush Mount (fits onto a 4" square and octagon j-box)

Projected L70: 50,000 hours  
Warranty: 5 Years  
System Efficacy: 70 LpW

**Warranty**

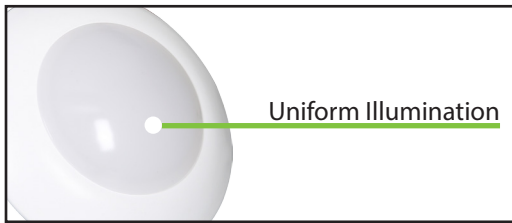
5 Year Warranty.  
See warranty documentation for more information.

**Controls/Dimming**

TRIAC Dimming See page 3 (Dimmer Compatibility List)  
Field-Adjustable CCT Switchable between:  
2700K, 3000K, 3500K 4000K, 5000K.



Phase/TRIAC Dimming



**Ordering Information**

**EXAMPLE: DDR-0412-CC**

Series	Size/Wattage	CCT
DDR	0412 - 4"/12W 0615 - 6"/15W 0818 - 8"/18W 1020 - 10"/20W 1225 - 12"/25W	CC - CCT Selectable (2700K/3000K/3500K/4000K/5000K)

Specifications and Dimensions subject to change without notice.

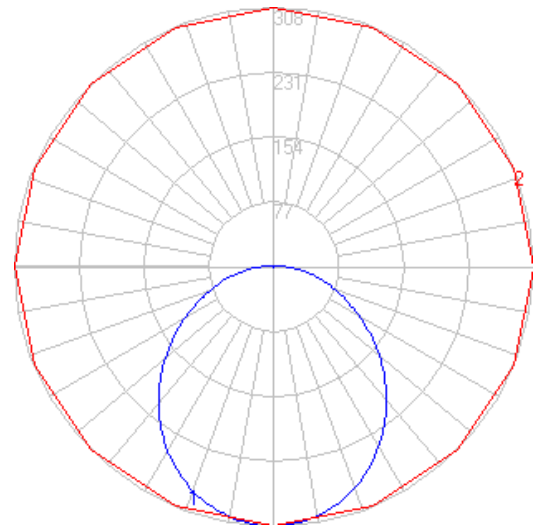
\*MOQ and longer lead times may apply, please contact customer service for more information.

## Performance Information

Input Voltage	120VAC
Input Frequency	60Hz
Wattage	See Performance Table
Delivered Lumens	See Performance Table
System Efficacy	See Performance Table
CRI	>90
Available CCT	2700K, 3000K, 3500K, 4000K, 5000K
Projected L70	50,000+ hours
Power Factor	>0.9
THD	<20%
Dimming	Triac Dimming
Operating Temp.	-4°~104°F
IP Rating	Wet Location Rated

## Photometric Data

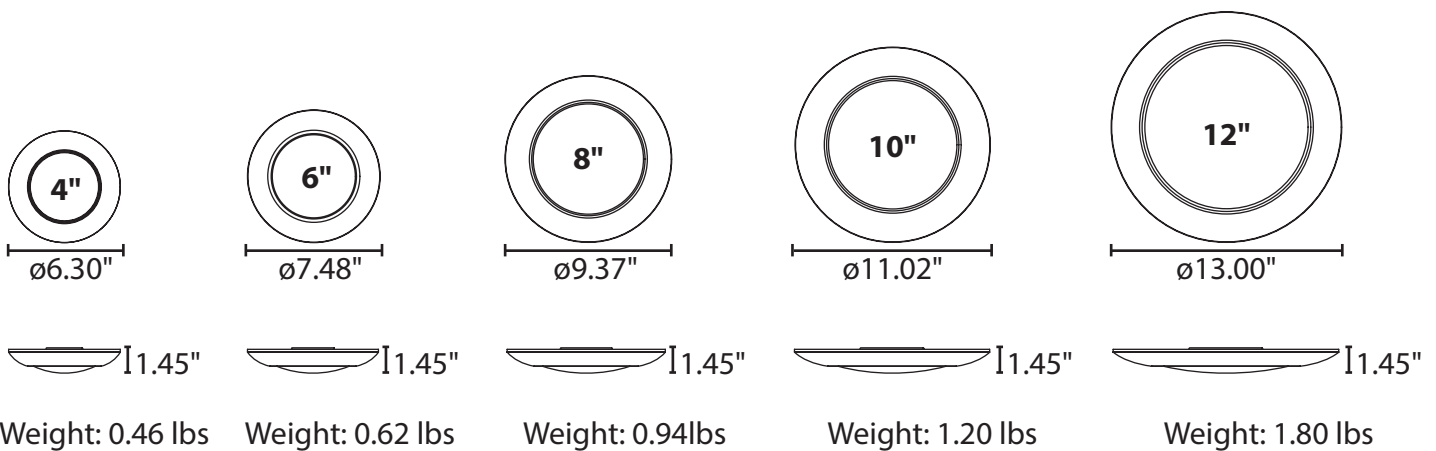
\*IES Available Upon Request



## Performance Table

SKU	Size (Inch)	Wattage (W)	3000K	
			Delivered Lumens (lm)	System Efficacy (lm/W)
DDR-0412-CC	4	12	840	70
DDR-0615-CC	6	15	1050	70
DDR-0818-CC	8	18	1260	70
DDR-1020-CC	10	20	1400	70
DDR-1225-CC	12	25	1800	70

## Product Dimensions



**Dimmer Compatibility List**

---

## Recommended dimmers

Lutron	Leviton	EATON
DVCL-153PR-WH CTCL-153PDH-WH TGCL-153PH-WH P-PKG1W-WH-R	R62-06674-P0W R12-06672-4LW R50-IPL06-10M	SAL06P-LA-K