

**Eco EDGE™ LC 110** **Edgelit Panel**

**DESCRIPTION**

The Eco EDGE™ LC 110 provides an efficient and elegant LED replacement for fluorescent lamps and troffer fixtures in offices, schools, hospitality, healthcare, and other commercial and industrial applications. It provides flicker-free, uniform lighting, with an onboard driver that allows bypass of existing ballasts for quick, easy and safe installation. The Eco EDGE™ LC 110 is able to field-adjust its Wattage and Color Temperature which enable it to quickly accommodate any location needs.

**APPLICATIONS**

Commercial, Retail, Institution, and Hospitality

**FEATURES**

**Construction**

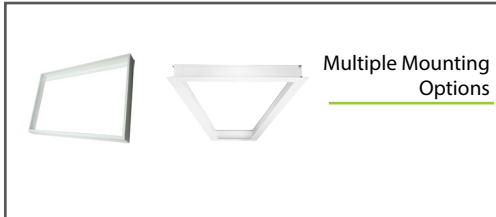
An aluminum frame for strength and durability, the seamless frame prevents light leak in the corners. The light guide plate (LGP) constructed from PMMA provides a fully illuminated appearance.

**Optical System**

Diffuser lens reduces glare and improves working conditions while maintaining high efficiency emission.

**Warranty**

5 Year Warranty.  
See warranty documentation for more information.



**Electrical**

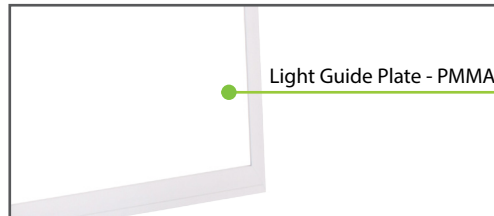
Input voltage: 100-277VAC  
Emergency Battery Backup Driver available.  
12W Emergency Inverter available.  
10W Bodine Inverter available.

**Installation/ Mounting**

Recessed Mounted (Standard Integral Clips [T-bar]), Surface Mount Kit, or Flange Mount Kit (Drywall Recessed Mounting).

**Controls/Dimming**

0-10V Dimming



**Eco EDGE™ LC 110**

- 1'x4': 20W (2,200 lm)
- 30W (3,300 lm)
- 36W (3,960 lm)
- 40W (4,400 lm)
- 2'x2': 20W (2,200 lm)
- 30W (3,300 lm)
- 36W (3,960 lm)
- 40W (4,400 lm)
- 2'x4': 25W (2,750 lm)
- 36W (3,960 lm)
- 40W (4,400 lm)
- 50W (5,500 lm)

Projected L70: >50,000 hours  
System Efficacy: 110+ LpW  
Warranty: 5 years  
0-10V Dimming



Suitable for Damp Location



0-10V Dimming



Emergency Backup or Inverter Option

**Ordering Information**

**EXAMPLE: 8814WS-C-S-F**

Type	Size	Wattage	CCT	Series	Accessories
88	14 - 1'x4'	WS - 20W/30W/36W/40W	C - 3500K/4000K/5000K	S - F	88-WP8-3C (8ft 3 Wire Whip [18 AWG]) 88-WP8-5C (8ft 5 Wire Whip [18 AWG]) 90008-L (8W Emergency Battery Driver) T-BR-EM (T-Bar Bracket for Emergency Battery Backup) ELIS10CDF (Bodine 10W Inverter) WP-CEP-12C-200VPE1 (EM Inverter 12W)
	22 - 2'x2'				
	24 - 2'x4'	WS - 25W/36W/40W/50W			
				Surface Mount Kit	Flange Mount Kit
				8814-SK (1'x4' Surface Mount Kit)	8814-FMK (1'x4' Flange Mount Kit)
				8822-SK (2'x2' Surface Mount Kit)	8822-FMK (2'x2' Flange Mount Kit)
				8824-SK (2'x4' Surface Mount Kit)	8824-FMK (2'x4' Flange Mount Kit)

Specifications and Dimensions subject to change without notice.

Optional mounting and accessories are purchased separately.

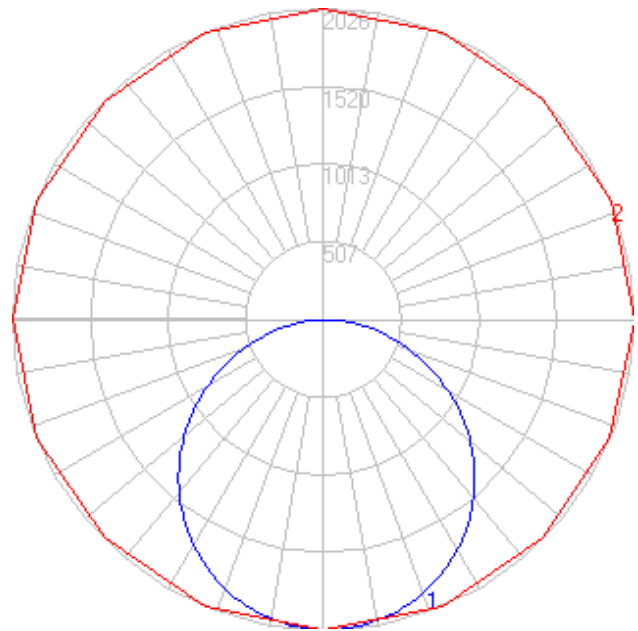
\*MOQ and longer lead times may apply, please contact customer service for more information.

**Performance Information**

Input Voltage	100-277VAC
Input Frequency	50/60Hz
Wattage	See Performance Table
Delivered Lumens	See Performance Table
System Efficacy	See Performance Table
CRI	>80
Available CCT	3500K/4000K/5000K
Projected L70	>50,000 hours
Power Factor	>0.9
THD	<20%
Dimming	0-10V Dimming
Operating Temp.	-4°~122°F
IP Rating	Suitable for Damp locations

**Photometric Data**

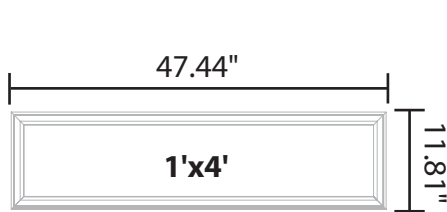
\* IESNA LM-63 IES Available



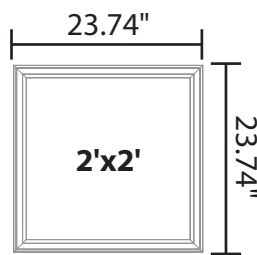
**Performance Table**

SKU	Wattage (W)	5000K							
		Delivered Lumens (lm)	System Efficacy (lm/W)	Delivered Lumens (lm)	System Efficacy (lm/W)	Delivered Lumens (lm)	System Efficacy (lm/W)	Delivered Lumens (lm)	System Efficacy (lm/W)
8814WS-C-S-F	20/30/36/40	2200 (20W)	110	3300 (30W)	110	3960 (36W)	110	4400 (40W)	110
8822WS-C-S-F	20/30/36/40	2200 (20W)	110	3300 (30W)	110	3960 (36W)	110	4400 (40W)	110
8824WS-C-S-F	25/36/40/50	2750 (25W)	110	3960 (36W)	110	4400 (40W)	110	5500 (50W)	110

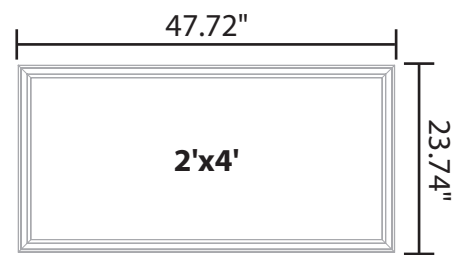
**Product Dimensions**



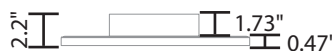
Weight: 4.8 lbs.



Weight: 4.4 lbs.



Weight: 9.0 lbs.



Accessories



Surface Mount Kit  
(Optional)  
[8814-SK, 8822-SK, 8824-SK]



Flange Mount Kit  
(Optional)  
[8814-FMK, 8822-FMK, 8824-FMK]



8ft Three Wire Whip or  
8ft Five Wire Whip  
(Optional)  
[88-WP8-3C, 88-WP8-5C]



Emergency Battery  
Backup Driver  
8W  
(Optional)  
[90008-L]



Bodine Inverter  
10W  
(Optional)  
[ELIS10CDF]



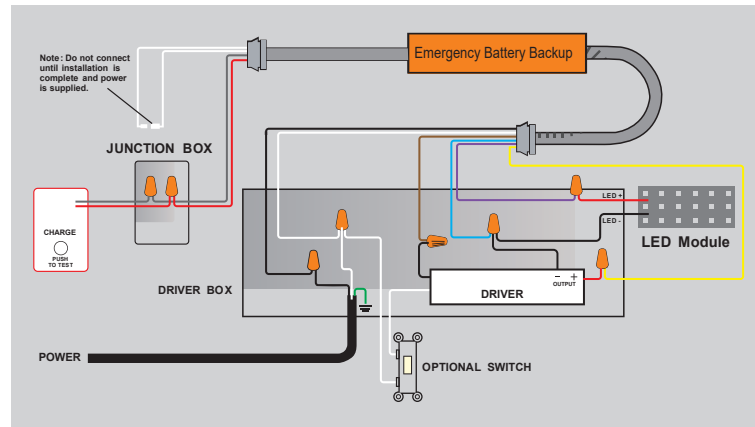
Emergency Inverter 12W  
(Optional)  
[WP-CEP-12C-200VPE1]



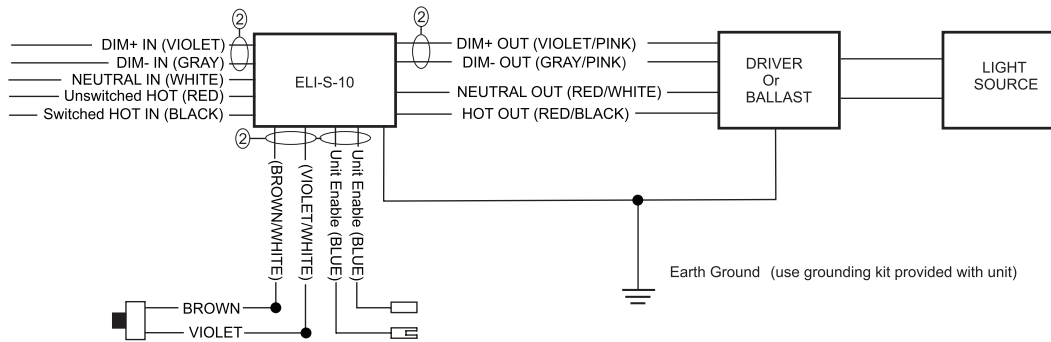
T-Bar Emergency  
Battery Bracket  
[T-BR-EM]

Wiring Diagram for Emergency Battery Backup & Inverters

Wiring Diagram for Emergency Battery Backup



Wiring Diagram for Bodine Inverter



Wiring Diagram for Emergency Inverter

(A): Dimmer Switch

