



Fluxlume™ ColorSelect

Commercial Downlight

DESCRIPTION

The Fluxlume™ ColorSelect is the ideal solution for retrofitting existing recessed lighting units or new construction applications. The housing has adjustable tension clips, the ability to field adjust the lumen package and color temperature to best suit the appropriate location.

APPLICATIONS

Commercial, Educational, Retail, Hospitality, Outdoor Under Covered Ceilings

FEATURES



Construction

IC-Rated, airtight & wet-location rated aluminum housing with an aluminum heatsink. Self flanged spun aluminum reflector. Features field-adjustable lumen output for three lumen output and CCT settings.

Electrical

Universal Input Voltage: 120-277V
12W Emergency Inverter available.
10W Bodine Inverter available. (Can be used as an emergency backup.)

Optical System

True color 90CRI+, R9>50 standard providing 100° distribution. Regressed with baffle trim reduce glare and provide comforting illumination.

Installation/ Mounting

The adjustable tension clips allow for installation in a large range of commercial and architectural space in new construction or replacing existing recessed lighting units.

Warranty

5 Year Warranty.
See warranty documentation for more information.

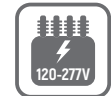
Controls/Dimming

0-10V Dimming (Dims to 10%)
CCT Switchable between 3000K, 3500K, 4000K.

Fluxlume™ ColorSelect

6":	9W (700 lm)
	13W (1,050 lm)
	19W (1,500 lm)
8":	16W (1,500 lm)
	23W (2,000 lm)
	29W (2,500 lm)
10":	21W (2,000 lm)
	30W (2,500 lm)
	38W (3,200 lm)

Projected L70: 54,000+ hours
Warranty: 5 Years
System Efficacy: 79-95 LpW
0-10V Dimming



120-277V



0-10V (10%)
Dimming



Wet Location
Rated



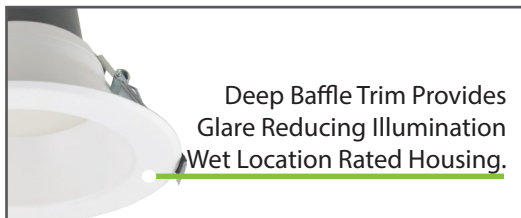
90+ CRI



Lumen Select



Tunable White



Ordering Information

EXAMPLE: FL-6-L-C-U-D-90CRI

Series	Trim Size	Lumen Selectable	CCT Selectable	Input Voltage	Dimming	CRI
FL	6 - 6"	L - 700 lm(9W)/1050 lm(13W)/1500 lm(19W)	C - 3000K/3500K/4000K Custom - (Please consult with sale representative)	U - 120-277V	D - 0-10V Dimming (Dims to 10%)	90CRI - True Color Rendered
	8 - 8"	L - 1500 lm(16W)/2000 lm(23W)/2500 lm(29W)				
	10 - 10"	L - 2000 lm(21W)/2500 lm(30W)/3200 lm(38W)				

Accessories

ELIS10CDF (Bodine 10W Inverter)
WP-CEP-12C-200VPE1 (EM Inverter 12W)

Specifications and Dimensions subject to change without notice.

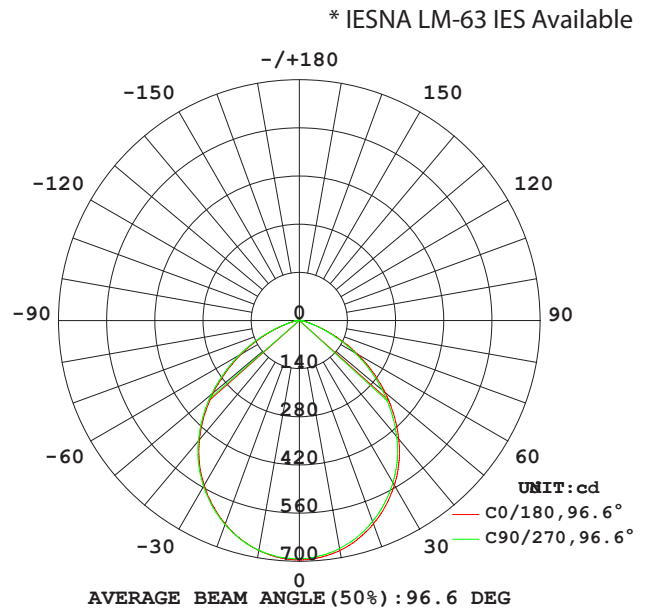
*MOQ and longer lead times may apply, please contact customer service for more information.

Optional accessories are purchased separately.

Performance Information

Input Voltage	120-277VAC
Input Frequency	50/60Hz
Wattage	See Performance Table
Delivered Lumens	See Performance Table
System Efficacy	See Performance Table
CRI	>90
Available CCT	3000K, 3500K, 4000K or (Custom - Consult with sales Representative)
Projected L70	54,000+ hours
Power Factor	>0.9
THD	<20%
Dimming	0-10V Dimming (Dims to 10%)
Operating Temp.	-4°~104°F
IP Rating	Wet Location Rated

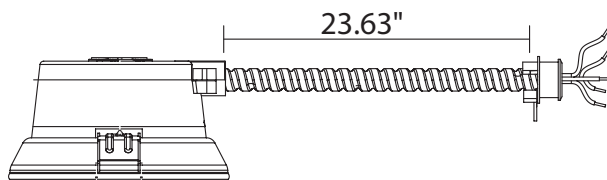
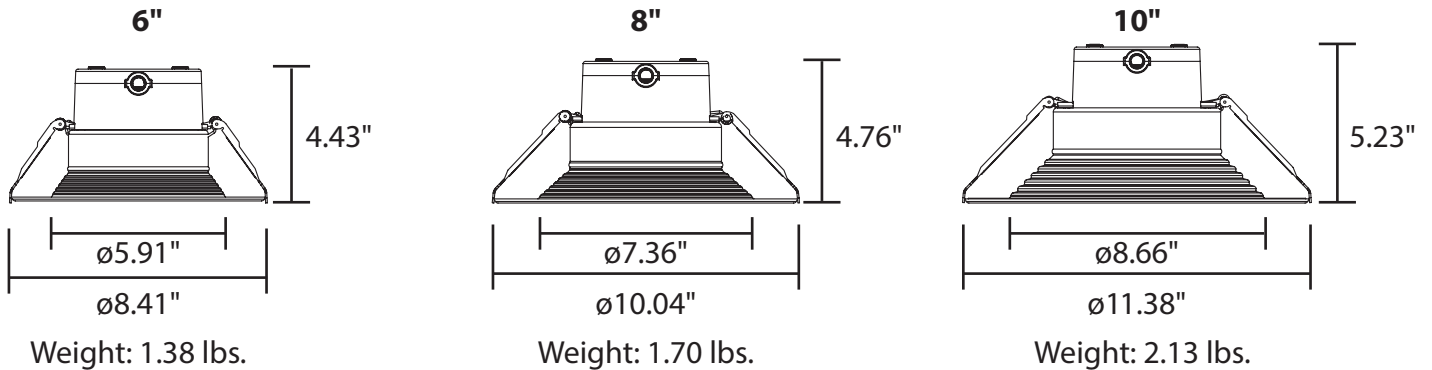
Photometric Data



Performance Table

SKU	Wattage (W)	4000K					
		Delivered Lumens (lm)	System Efficacy (lm/W)	Delivered Lumens (lm)	System Efficacy (lm/W)	Delivered Lumens (lm)	System Efficacy (lm/W)
FL-6-L-C-U-D-90CRI	9/13/19	750 (Low)	83	1050 (Med)	81	1500 (High)	79
FL-8-L-C-U-D-90CRI	16/23/29	1500 (Low)	91	2000 (Med)	87	2500 (High)	86
FL-10-L-C-U-D-90CRI	21/30/38	2000 (Low)	95	2500 (Med)	85	3200 (High)	85

Product Dimensions



Ceiling Cutout

Size	Minimum	Maximum
6"	ø6-1/8"	ø7-3/16"
8"	ø7-9/16"	ø8-11/16"
10"	ø8-7/8"	ø10"

Accessories

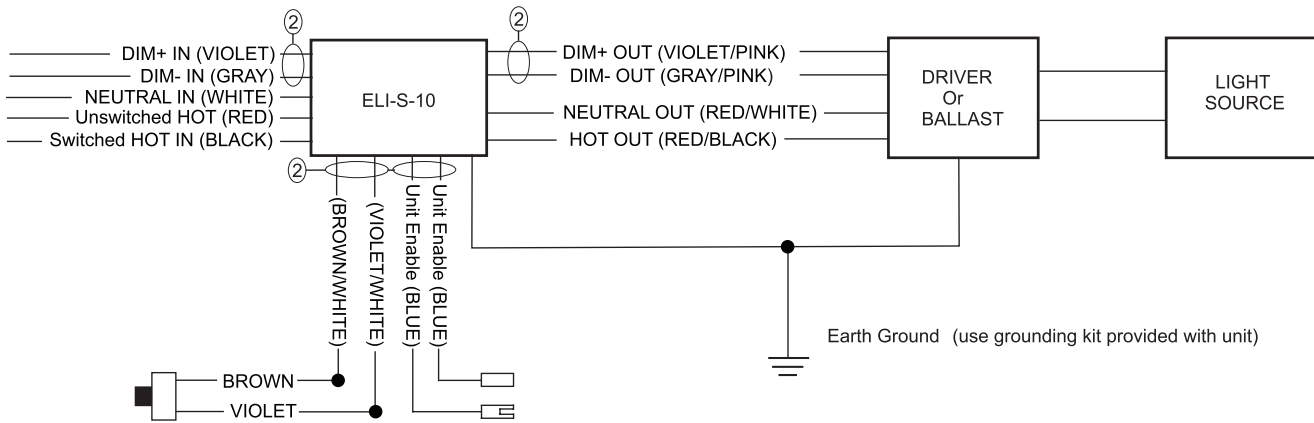


Emergency Inverter 12W
(Optional)
[WP-CEP-12C-200VPE1]



Bodine Inverter 10W
(Optional)
[ELIS10CDF]

Wiring Diagram for Bodine Inverter



Wiring Diagram for Emergency Inverter

