

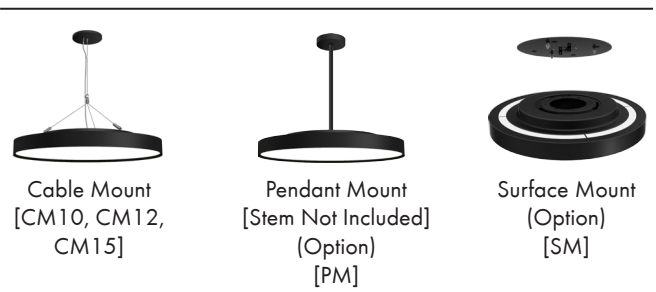
Date:	
Project Name:	
SKU #:	

LUNAR™

Architectural Round



MOUNTING OPTIONS



Cable Mount
[CM10, CM12, CM15]

Pendant Mount
[Stem Not Included] (Option)
[PM]

Surface Mount
(Option)
[SM]

APPLICATIONS

Commercial, Retail, Office, Public Spaces

FEATURES

Construction

- Extruded Aluminum Shallow Housing
- Powder Coating Finish
- Cable Mount:
Black or Transparent Power Cord

Electrical & Technical

- Input Voltage: 120-277V
[Philips Advanced Xitanium LED Driver Auto Sensing Input]
- Input Frequency: 50/60Hz
- Projected Life: L70 > 50,000 hrs
- PF: >0.9
- CRI: >90
- THD: <20%
- CCT: *2700K, 3000K, 3500K, 4000K, *5000K
- 3-Step SDCM MacAdam Ellipse
- Operating Temp.: -4°F ~ 104°F
- IP Rating: IP20
- 12W Emergency Inverter Option (Field Install)
- 10W Bodine Inverter Option (Field Install)

Controls

- 0-10V Dimming (Single Circuit: Standard)
- 0-10V Dimming (Two Circuit: Option)
- 0-10V Dimming (Single Circuit 1% Dimming: Option)*
- 0-10V Dimming (Two Circuit 1% Dimming: Option)*

Lumen Output

- 30W: 3,000lm
- 40W: 4,000lm
- 60W: 6,000lm
- 80W: 8,000lm
- 100W: 10,500lm
- 120W: 12,000lm

Finish

- Matte Black
- Matte White
- Wood
- Titanium Silver*
- Tangerine Orange*
- Ruby Red*
- Emerald Green*
- Lemon Yellow*
- Custom*

Optical

- Regressed Prismatic Lens
0.118" Acrylic
- Choice of Direct or Indirect
Output: 80% Direct Light &
20% Indirect Uplight

Installation/Mounting

- Cable Mount
 - Available Lengths:
10' [Standard], 12', 15'
- Surface Mount Option
- Pendant Mount Option
[Stem Not Included]

Warranty

- 5 Year Warranty
See warranty documentation
for more information.



ORDERING INFORMATION

EXAMPLE: LUNA-18-30W-30K-U-D1-B-CM010-D

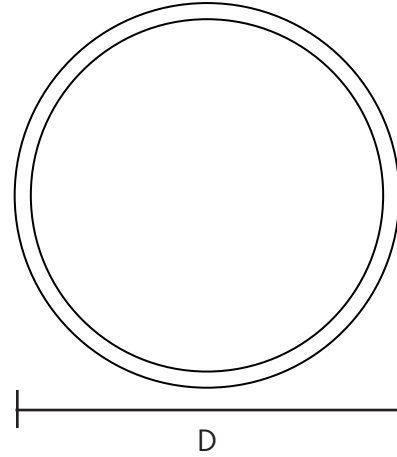
Series	Size	Wattage	CCT	Input Voltage	Control	Finish	Mounting Option	Uplight Option
LUNA	18 - 18"	30W 40W	27K - 2700K* 30K - 3000K 35K - 3500K 40K - 4000K 50K - 5000K*	U - 120-277V	D1 - 0-10V Dimming Single Circuit (Standard) D2 - 0-10V Dimming Two Circuit D3 - 0-10V Dimming Single Circuit (1% Dimming) D4 - 0-10V Dimming Two Circuit (1% Dimming)	B - Matte Black W - Matte White T - Wood S - Titanium Silver* O - Tangerine Orange* R - Ruby Red* G - Emerald Green* Y - Lemon Yellow* C - Custom*	CM10 - 10' Cable Mount CM12 - 12' Cable Mount CM15 - 15' Cable Mount SM - Surface Mount PM - Pendant Mount	D - Direct Illumination U - Uplight Illumination (20% of System Lumens)
	24 - 24"	40W 60W						
	30 - 30"	60W 80W						
	36 - 36"	80W 100W						
	48 - 48"	100W 120W						

Accessories
ELIS10CDF (Bodine Inverter 10W)
WP-CEP-12C-200VPE1 (EM Inverter 12W)

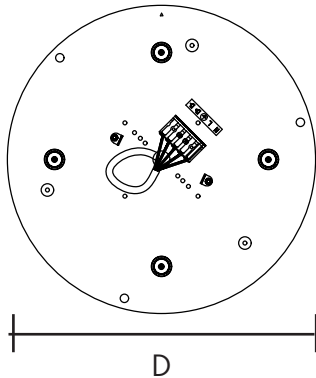
DIMENSIONS



Size	Height (H)	Diameter (D)	Weight
LUNA-18	4.50"	ø17.1"	14 lb.
LUNA-24	4.50"	ø23.0"	15 lb.
LUNA-30	4.50"	ø29.0"	27 lb.
LUNA-36	4.50"	ø34.3"	29 lb.
LUNA-48	4.50"	ø45.3"	45 lb.



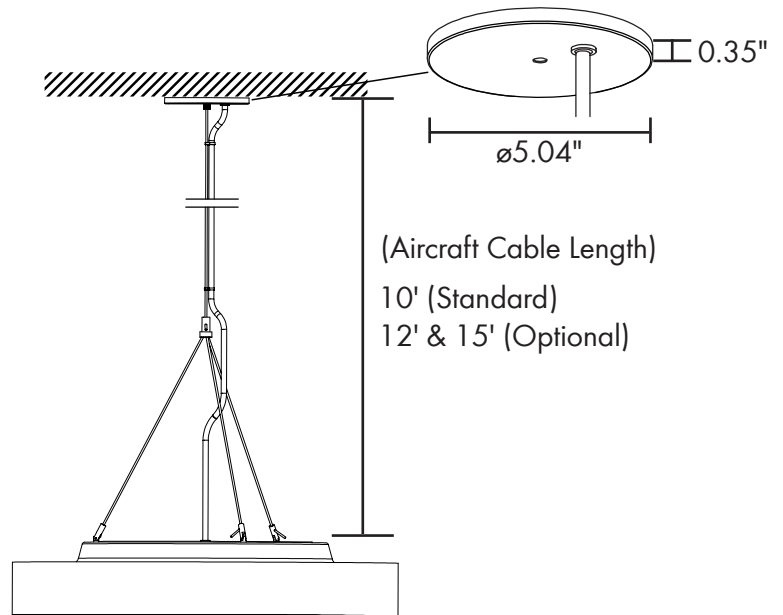
Surface Mount Plate



Size	Height	Diameter (D)
LUNA-18	0.05"	ø10.83"
LUNA-24	0.05"	ø14.17"
LUNA-30	0.05"	ø14.17"
LUNA-36	0.05"	ø14.17"
LUNA-48	0.05"	ø14.17"

Cable Mount

Canopy



LUMEN OUTPUT

SKU	Wattage (W)	Delivered Lumens (lm)	Efficacy (lm/W)
LUNA-18-30W-40K-U-D1	30	3000	100
LUNA-18-30W-40K-U-D1	40	4000	100
LUNA-24-40W-40K-U-D1	40	4000	100
LUNA-24-60W-40K-U-D1	60	6000	100
LUNA-30-60W-40K-U-D1	60	6000	100
LUNA-30-80W-40K-U-D1	80	8000	100
LUNA-36-80W-40K-U-D1	80	8000	100
LUNA-36-100W-40K-U-D1	100	10000	100
LUNA-48-100W-40K-U-D1	100	10000	100
LUNA-48-120W-40K-U-D1	120	12000	100

ACCESSORIES



Bodine Inverter 10W
(Option)
(Installed Remotely)
(Works up to 100W)
[ELIS10CDF]



Emergency Inverter 12W
(Option)
[WP-CEP-12C-200VPE1]