



Downlight Retrofit Square CCT Selectable **Downlight Retrofit**

DESCRIPTION

The Downlight Retrofit Square CCT Selectable is a retrofit downlight that will replace most existing recessed can lights. The conversion is as easy as installing a light bulb. The unique feature of the Downlight Retrofit Square CCT Selectable is the ability to be field adjustable up to 5 CCT to accommodate any environments, which is ideal for residential and commercial projects, such as multi-family residences, retail shops, and offices.

APPLICATIONS

Hospitality, Airports, Schools, Offices, Government Facilities, Residential

FEATURES

Construction

Die-cast aluminum housing and PC lens.

Optical System

Glare controlling lens for comfortable light distribution. Provides a 110° beam angle.

Warranty

5 Year Warranty.
See warranty documentation for more information.

Electrical

Input Voltage: 120VAC

Installation/ Mounting

Friction Clip Mount (4" Retrofit Downlight)
Torsion Clip Mount (6" Retrofit Downlight)
4" and 6" Remodel Housing available. See details on page. 3
4" and 6" New Construction Housing available. See details on page. 3

Controls/Dimming

TRIAC Dimming
Field-Adjustable CCT Switchable Between:
2700K, 3000K, 3500K 4000K, 5000K.



Downlight Retrofit Square CCT Selectable

4", 11W (750 lm)
6", 14W (1,100 lm)

Projected L70: 50,000+ hours
Warranty: 5 Years
Phase/ TRIAC Dimming



TITLE 24 Compliant



90+ CRI



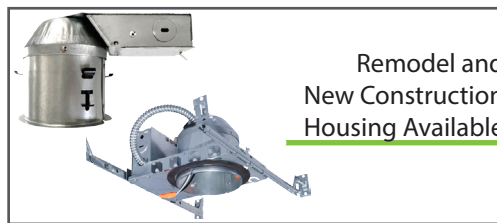
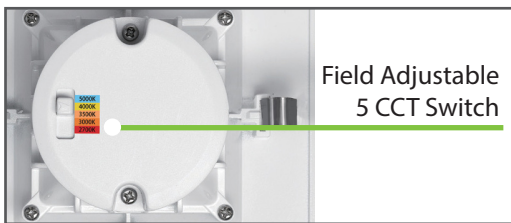
Wet Location Rated



5 CCT Switchable



TRIAC Phase/TRIAC Dimming



Ordering Information

EXAMPLE: DRSC-0411-CC

Series	Size/Wattage	CCT						
DRSC	0411 - 4"/11W 0614 - 6"/14W	CC - CCT Selectable (2700K/3000K/3500K/4000K/5000K)						
		<table border="1"> <thead> <tr> <th>New Construction Housing</th> <th>Remodel Housing</th> </tr> </thead> <tbody> <tr> <td>TGS-408-SH (4" New Construction Housing)</td> <td>TGS-408-SH-RM (4" Remodel Housing)</td> </tr> <tr> <td>TGS-608-SH (6" New Construction Housing)</td> <td>TGS-608-SH-RM (6" Remodel Housing)</td> </tr> </tbody> </table>	New Construction Housing	Remodel Housing	TGS-408-SH (4" New Construction Housing)	TGS-408-SH-RM (4" Remodel Housing)	TGS-608-SH (6" New Construction Housing)	TGS-608-SH-RM (6" Remodel Housing)
New Construction Housing	Remodel Housing							
TGS-408-SH (4" New Construction Housing)	TGS-408-SH-RM (4" Remodel Housing)							
TGS-608-SH (6" New Construction Housing)	TGS-608-SH-RM (6" Remodel Housing)							

Specifications and Dimensions subject to change without notice.

*MOQ and longer lead times may apply, please contact customer service for more information.

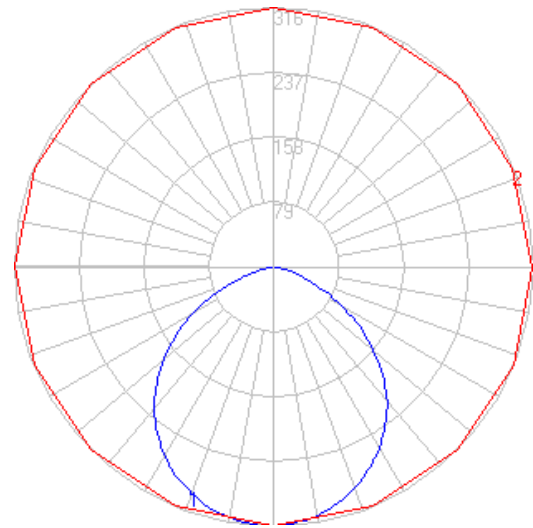
Performance Information

Input Voltage	120VAC
Input Frequency	60Hz
Wattage	See Performance Table
Delivered Lumens	See Performance Table
System Efficacy	See Performance Table
CRI	>90
Available CCT	2700K, 3000K, 3500K, 4000K, 5000K
Projected L70	50,000+ hours
Power Factor	>0.9
THD	<20%
Dimming	TRIAC Dimming
Operating Temp.	-4°~104°F
IP Rating	Wet Location Rated

Photometric Data

4", 11W, 3000K

*IES Available Upon Request



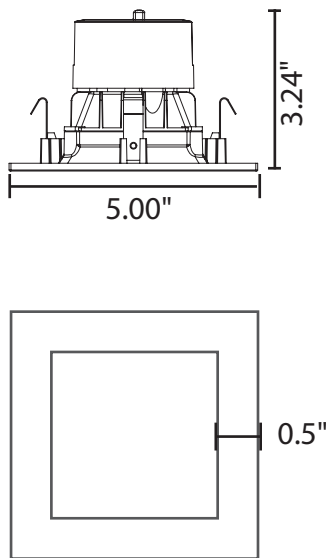
Performance Table

SKU	Wattage (W)	3000K	
		Delivered Lumens (lm)	System Efficacy (lm/W)
DRSC-S-0411-CC	11	750	68
DRSC-S-0614-CC	14	1100	78

Product Dimensions

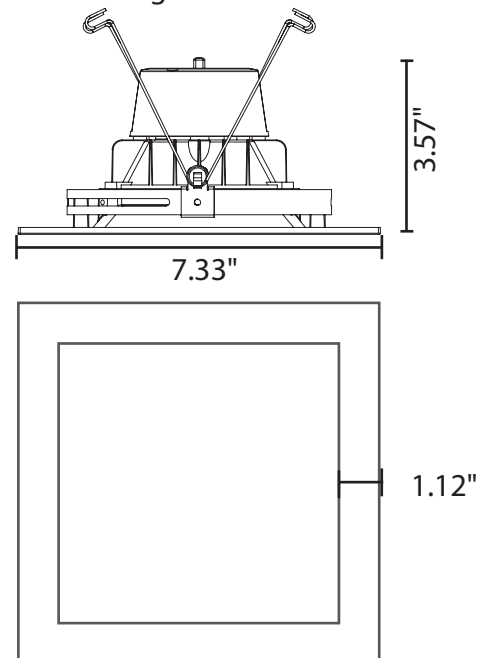
4"

Weight: 0.59 lbs

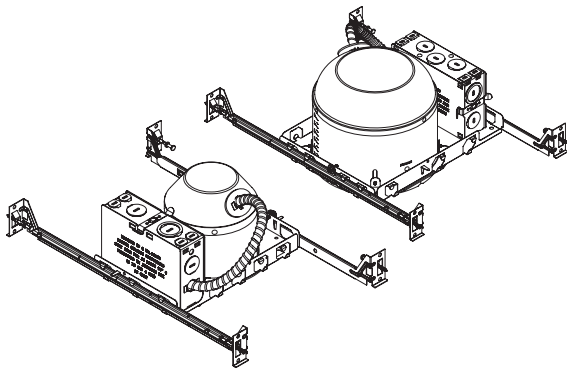


6"

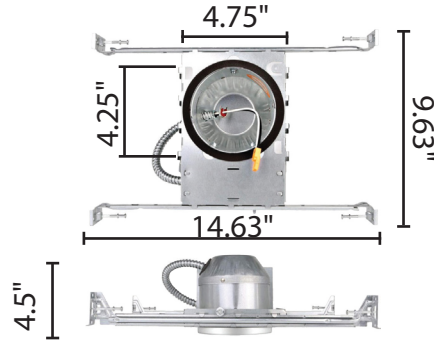
Weight: 1.06 lbs



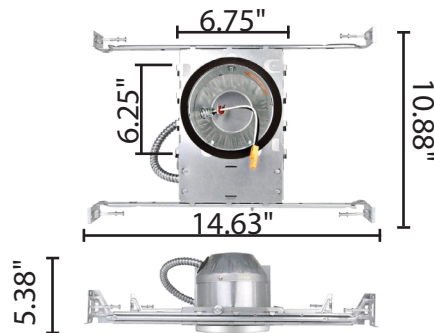
Accessories



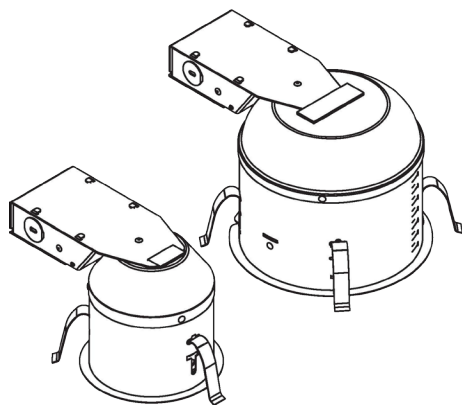
**4", 6"
New Construction Housing
[IC RATED]
(Option)
[TGS-408-SH, TGS-608-SH]**



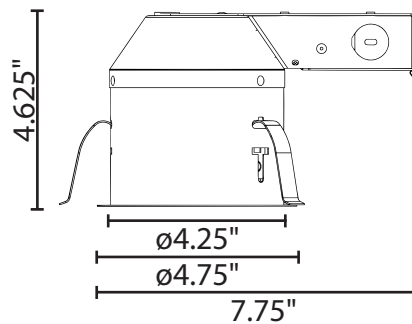
TGS-408-SH



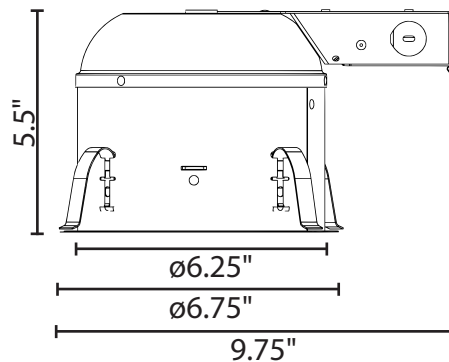
TGS-608-SH



**4", 6"
Remodel Housing
[IC RATED]
(Option)
[TGS-408-SH-RM, TGS-608-SH-RM]**



TGS-408-SH-RM



TGS-608-SH-RM

Dimmer Compatibility List

Recommended dimmers

Lutron	Leviton	EATON
DVCL-153PR-WH CTCL-153PDH-WH TGCL-153PH-WH P-PKG1W-WH-R	R62-06674-P0W R12-06672-4LW R50-IPL06-10M	SAL06P-LA-K