



# RCP-S™ Round Parking Garage/Canopy

## DESCRIPTION

The RCP-S™ round canopy offers outstanding design capable of replacing up to 175W metal halide. It is easy to install, highly reliable fixtures backed by a 5- year limited warranty. With an optional integrated occupancy sensor. RCP-S™ LED canopy is an energy-efficient fixture that is an ideal solution for a parking structure, storage areas, shopping area walkways, entryway, and hallway applications.

## APPLICATIONS

Commercial, Retail, Institution, Walkways, and Hallways



Not all products are qualified on the DLC\* QPL. To view our DLC\* qualified products, please consult the DLC\* Qualified Products List at [www.designlights.org/qpl](http://www.designlights.org/qpl).



### RCP-S™

- 30W (3,600 lm)
- 45W (5,400 lm)
- 60W (7,200 lm)
- 90W (11,600 lm)

## FEATURES

### Construction

Rugged, die-cast housing with advanced thermal management system ensures reliability and durability. Available in White finish.

### Electrical

Utilizes high-efficacy Lumileds LED packages maintained at cool temperatures for long life, high efficacy. Input voltage: 120-277V & 347V (option only for 60W). 2kV surge protection included.

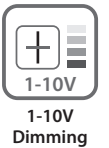
Reported L70: 75,000 hours  
Warranty: 5 Years  
System Efficacy: Up to 129 LpW  
1-10V Dimming

### Optical System

Provides a 120° (Type V) uniformed lighting distribution.

### Installation/ Mounting

Surface Mount (Standard) and Pendant Mount [3/4"] (Standard -Stem is not included)

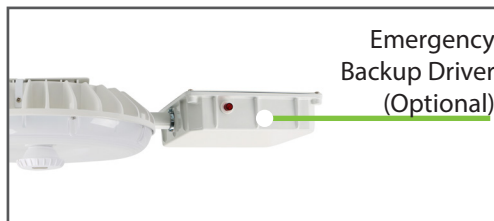


### Warranty

5 Year Warranty.  
Optional 7/10 Year Warranty Available.  
*See warranty documentation for more information.*

### Controls/Dimming

1-10V Dimming comes standard.  
Integrated Bi-level occupancy/daylight harvesting sensor option available.  
Integrated WATTSTOPPER® occupancy sensor option available.



## Ordering Information

### EXAMPLE: RCP-S-45W-50K-U-D-W-BAA

Series	Wattage	CCT	Input Voltage	Dimming	Finish	Controls Options	BAA
RCP-S	30W 45W 60W 90W	50K - 5000K *40K - 4000K	U - 120-277VAC H - 347V (Only for 60W)	D - 1-10V Dimming	W - White	(Blank) No Sensor M - Bi-level Occupancy/Daylight Harvesting Sensor W - WATTSTOPPER® Occupancy Sensor	BAA

- Accessories**
- RCP-S-EM (Emergency Battery Backup Driver)
  - RC-RC-100 (TGS - Wireless Configuration Tool)

Specifications and Dimensions subject to change without notice.

\*MOQ and longer lead times may apply, please contact customer service for more information.

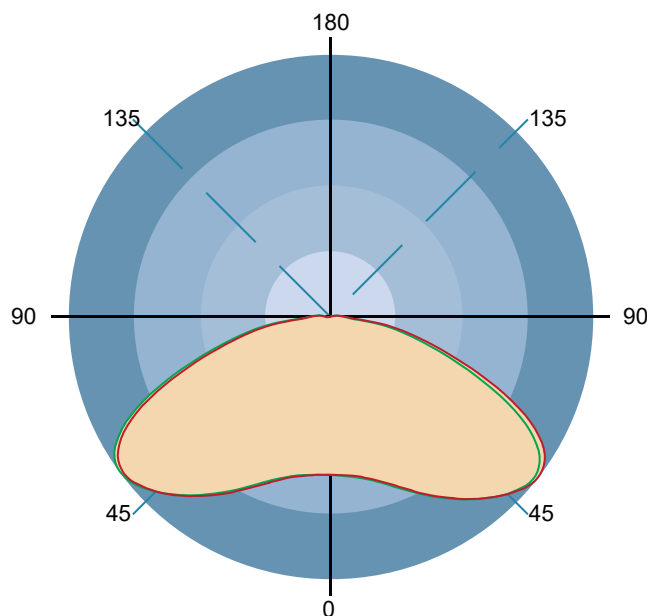
Optional accessories are purchased separately.

**Performance Information**

Input Voltage	120-277VAC, 347V
Input Frequency	50/60Hz
Wattage	See Performance Table
Delivered Lumens	See Performance Table
Efficacy	See Performance Table
CRI	>70 and >80 (Optional)
Available CCT	4000K, 5000K
Reported L70	75,000+ hours
Power Factor	>0.9
THD	<20%
Dimming	1-10V
Operating Temp.	-40°~104°F
IP Rating	Wet location Rated

**Photometric Data**

\*IES Available Upon Request

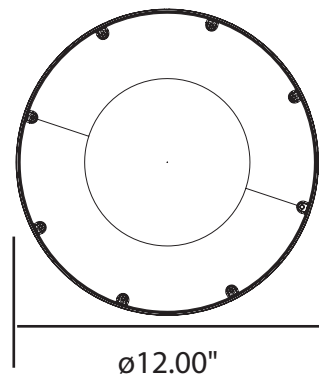
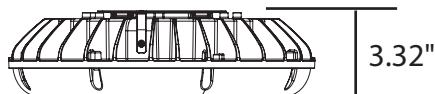


**Performance Table**

SKU	Wattage (W)	5000K	
		Delivered Lumens (lm)	Efficacy (lm/W)
RCP-S-30W-50K-U-D-W-BAA	30	3600	120
RCP-S-45W-50K-U-D-W-BAA	45	5000	111
RCP-S-60W-50K-U-D-W-BAA	60	7100	110
RCP-S-90W-50K-U-D-W-BAA	90	11600	129

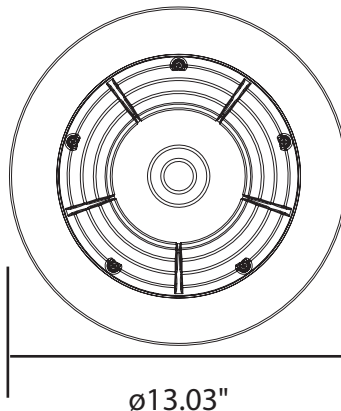
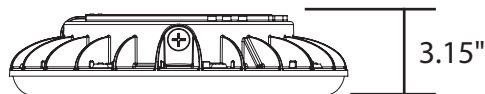
**Product Dimensions**

30W/45W/60W



30W Weight: 5.29 lbs.  
45W Weight: 5.40 lbs.  
60W Weight: 5.76 lbs.

90W



90W Weight: 6.20 lbs.

## Accessories



Bi-level Occupancy/  
Daylight Harvesting Sensor  
[M]



WATTSTOPPER® Occupancy  
Motion Sensor (FSP-311)  
[W]



Emergency Backup Driver  
[RCP-S-EM]



TGS - Wireless Configuration Tool  
(Sold Separately)  
[RC-RC-100]

## Control Pre-Commissioning

Default settings are indicated by \*

High-End Trim/ Tuning	Time Delay	Daylight Harvesting	Stand-by Light Level Setting	Stand-by Time Setting
20% - 8' height (48' dia.)	10s	*Light sensor disabled	0%	∞
50% - 20' height (40' dia.)	1min	1 FC (10 lux)	*10%	1min
75% - 40' height (60' dia.)	*10min	3 FC (30 lux)	30%	30min
*100% - 40' height (100' dia.)	15min	5 FC (50 lux)	50%	*60min

### High-End Trim/Tuning:

Lighting electricity usage can be reduced by 30 percent or more through high-end trim, which sets the maximum light level for each space. High-end trim/tuning sets the appropriate target brightness for each space to the prefer light levels to minimize glare and increase comfort level.

### Time Delay:

The light can be set to stay ON for any period of time between approx. 10sec and the maximum of 60 min. Any movement detected before this time elapses will re-start the timer.

### Daylight Harvesting:

The chosen light response threshold can be infinitely from approx. 10-50lux.

### Stand-by Light Level:

How much light is dimmed when no motion is detected.

### Stand-by Time:

How much time after dimming will the light will shut off. Up to 60 minutes after the light has dimmed the light will shut off.

## Control Pre-Commissioning - WATTSTOPPER®



1. High Mode: When the sensor detects motion the dimming control output ramps up to the selected HIGH light level (default is 10V).
2. Low Mode: After the sensor stops detecting motion and the time delay expires the dimming control output fades down to the selected LOW light level (default is 1V).
3. Time Delay: The selected time period that must elapse after the last time the sensor detects motion for the electric lights to fade to LOW mode (default is 5 minutes).
4. Cut Off: The time period that must elapse after the lights fade to LOW mode and the sensor detects no motion for the electric lights to turn OFF (default is 1 hour).
5. Sensitivity: The response of the PIR detector to motion within the sensor's coverage area (default is max).
6. Setpoint: When enabled, the selectable ambient light level threshold that will hold the electric lights off or at LOW level when the sensor detects motion (default is disabled). The Auto option invokes an automatic calibration procedure to establish an appropriate setpoint based upon the contribution of the electric light. As part of this procedure, the controlled load is turned on for two minutes to warm up the lamp, and then switched off and on eight times, terminating in an off state. After this process, a new setpoint value is automatically calculated.

7. Hold Off: The selectable ambient light level threshold that will hold the lights off or at LOW level when the sensor detects motion (default is Disabled). A switch allows you to Enable or Disable this feature. If enabled, select Auto Format or Custom Value. If Custom is selected, the Range is 1 fc to 250 fc.

**Main Aisle 1**

Name  
Main Aisle 1

Basic

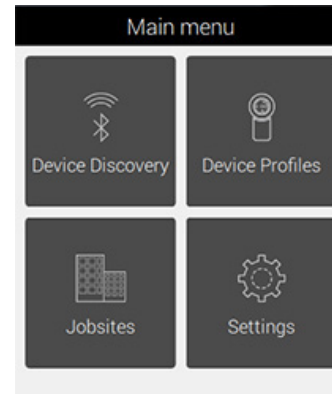
High Mode	9.0 Volts	>
Low Mode	4.0 Volts	>
Time Delay	6 Minutes	>
Cut Off	10 Minutes	>
Sensitivity	Med	>

Advanced

Save as Profile Upload

The Auto option invokes an automatic calibration procedure to establish an appropriate setpoint based upon the contribution of the electric light. As part of this procedure, the controlled load is turned on to warm up the lamp, and then it is switched off and on eight times, terminating in an off state. After this process, a new setpoint value is automatically calculated. During this time, communication to the FSP-3x1 is disabled.

8. Ramp Up Time: Time period for light level to increase from LOW to HIGH (default is disabled; lights switch instantly).



**The Sensor Configuration App is a convenient tool for setting up FSP-3x1 sensors. Adjustable settings can be changed as needed for specific applications.**



9. Fade Down Time: Time period for light level to decrease from HIGH to LOW (default is disabled; lights switch instantly).

Cut Off	10 Minutes	>
Sensitivity	Med	>

10. Photocell On/Off: When enabled, the sensor will force the load OFF after the light level has exceeded the selected photocell setpoint for at least a minute. It will also force the load ON when the light level goes below the setpoint, even if no motion is detected (default if disabled).

Advanced

Hold Off	Disabled	>
Ramp Up	Disabled	>
Fade Down	Disabled	>
Photocell	Disabled	>

Save as Profile

Once ON (initially at High), the load will dim to Low following the Time Delay, and to OFF following the Cut Off time. To ensure dusk to dawn control, Cut Off must be disabled.

The photocell On/Off setpoint is automatically set to maintain a deadband of at least 10 fc above the Hold Off Setpoint to prevent cycling if the two features are used together.