

ThinTek Adjustable Downlight

Recessed Downlight



120VAC/Triac Dimming

DESCRIPTION

The Thintek™ Adjustable Downlight is a versatile and efficient solution for commercial and residential spaces, that can be installed in shallow plenum areas with as little as two inches of ceiling space. Thintek™ Adjustable Downlight is IC-rated with a thermally protected driver box, which can be installed in a wide variety of ceilings and joists with ease. The CCT selection switch allows for a selection between 2700K, 3000K, 3500K, 4000K, and 5000K. With Title 24 certification, 90 CRI, and a variety of sizes, shapes, and lumen packages, the ThinTek™ Adjustable Downlight provides increased functionality, reliable performance, and a fast, simple installation process.

APPLICATIONS

Residential, Institution, Hospitality, Retail, Offices, Schools, Hospitals, Airports and Hallways.

FEATURES



ThinTek™ Adjustable Downlight

4", 9W (540 lm)
6", 12W (800 lm)

Projected L70: 50,000+ hours
Warranty: 5 Years
Phase/ TRIAC Dimming (10%)

Construction

Die-cast aluminum housing and PC lens.
Air-tight IC Rated.
Adjustability lens of 15°

Electrical

Input voltage: 120VAC, 60Hz
25W High Voltage Emergency Battery Backup option available.
12" Power Cable (Standard): Extension Cable option available 3' or 10'.

Optical System

Glare controlling lens for comfortable light distribution.
Provides a 110° beam angle.

Installation/ Mounting

Recessed Mounting with adjustable spring loaded retention tabs for secure fixture.

Warranty

5 Year Warranty.
See warranty documentation for more information.

Controls/Dimming

Triac Dimming (Dims to 10%) See page 3 (Dimmer Compatibility List)
Field-Adjustable CCT Switchable between:
2700K, 3000K, 3500K 4000K, 5000K.



TITLE 24 Compliant



90+ CRI



Wet Location Rated



5 CCT Selectable



Air Tight



Phase/TRIAC Dimming Dims to 10%



Ordering Information

EXAMPLE: TWRA-0409-CC

Series	Size/Wattage	CCT
TWRA	0409 - 4"/9W 0612 - 6"/12W	CC - 2700K/3000K/3500K/4000K/5000K
	New Construction Kit	Accessories
	TWR-NC (For 4", 6")	TW-EC03 (3' Extension Cable) TW-EC10 (10' Extension Cable) 90025-H (25W High Voltage Emergency Battery Backup)
	New Construction Kit W/ Hanger Bar	
	TWR-NCH (For 4", 6")	

Specifications and Dimensions subject to change without notice.

Accessories options are purchased separately.

*MOQ and longer lead times may apply, please contact customer service for more information.

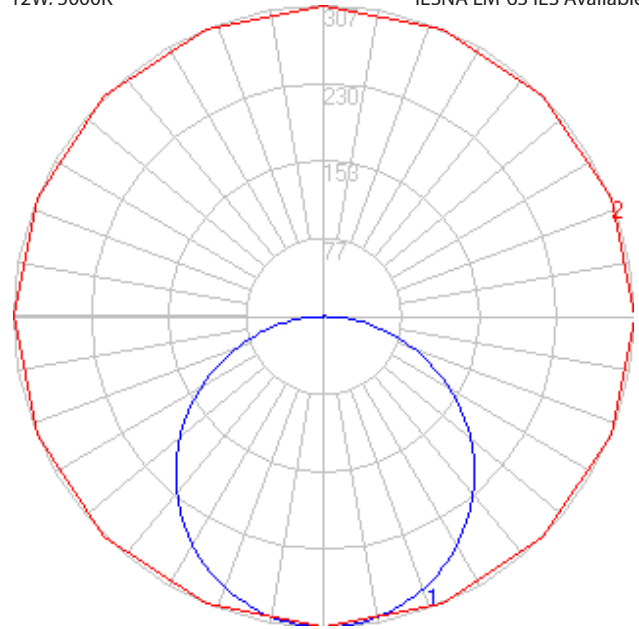
Performance Information

Input Voltage	120VAC
Input Frequency	60Hz
Wattage	See Performance Table
Delivered Lumens	See Performance Table
Efficacy	See Performance Table
CRI	>90
Available CCT	2700K, 3000K, 3500K, 4000K, 5000K
Projected L70	50,000+ hours
Power Factor	>0.9
THD	<20%
Dimming	Triac /Phase Dimming
Operating Temp.	-5°~104°F
IP Rating	Wet Location Rated

Photometric Data

12W. 5000K

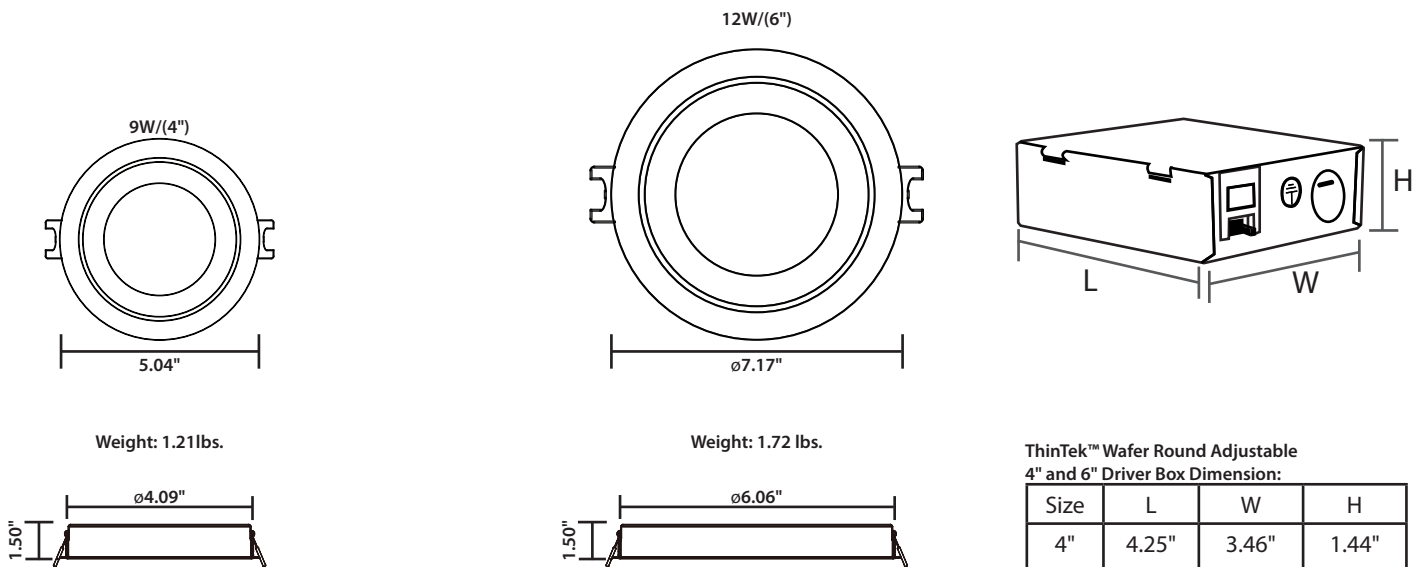
* IESNA LM-63 IES Available



Performance Table

SKU	Size (in)	Wattage (W)	3000K	
			Delivered Lumens (lm)	Efficacy (lm/W)
TWRA-0409-CC	4	9	540	60
TWRA-0612-CC	6	12	800	67

Product Dimensions



Installation Kits and Accessories



**4", 6"
New Construction Kit
(Option)
[TWR-NC]**



**4", 6"
New Construction Kit
With Hanger Bar
(Option)
[TWR-NCH]**



**3' or 10' Extension
Cable
(Option)
[TW-EC03 or TW-EC10]**



**High Voltage
Emergency Backup
25W
(Option)
[90025-H]**

Dimmer Compatibility List

Recommended dimmers

Lutron	Leviton	EATON
DVCL-153PR-WH CTCL-153PDH-WH TGCL-153PH-WH MACL-153MH-WH P-PKG1W-WH-R	R62-06674-P0W R12-06672-1LW R50-IPL06-10M	SAL06P-LA-K