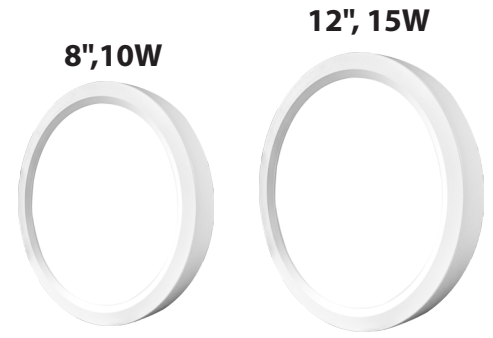


THINTEK™ MINI RW LED Edge Lit Downlight



Wet Location Rated

DESCRIPTION

The TGS ThinTek™ Mini RW low profile surface mounted downlight is an ideal solution for ceiling or surface mount applications in damp or wet locations. This 0.94" ultra-slim luminaire is the thinnest available option with an integral driver for existing junction boxes, can lights, or new construction applications. It comes with built-in tri-color switch option for 3000K, 4000K, and 5000K.

APPLICATIONS

Residential, Institution, Hospitality, Retail, Offices, Schools, Basement Remodels, Kitchens, Hallways, Showers, and Bathrooms.

FEATURES

Construction

Injection molded PC housing, thin profile and lightweight design.

Optical System

Glare reducing lens for comfortable light distribution. Provides a 120° beam angle.

Warranty

36,000 Hours warranty.
See warranty documentation for more information.

Electrical

Integrated driver with short circuit protection.
Input voltage: 120-277VAC; Triac Dimming at 120VAC
25W Emergency Battery Backup available

Installation/ Mounting

Surface Mounted: octagon junction box

Controls/Dimming

Phase/TRIAC Dimming in 120VAC
CCT Switchable between 3000K, 4000K, 5000K.
Title 24 compliance at 3000K and 4000K.



ThinTek™ Mini RW
8", 10W (850 lm)
12", 15W (1,275 lm)

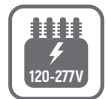
Reported L70: 36,000 hours
Phase/ TRIAC Dimming



TITLE 24
Compliant



CCT
Switchable



Universal
Input
Voltage



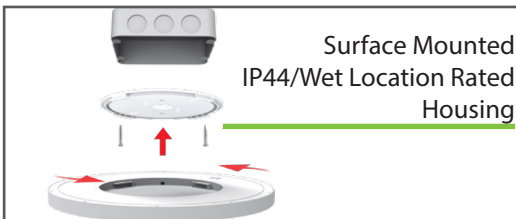
Phase/TRIAC
Dimming (120V)



90+ CRI



IP44/Wet
Location
Rated



Ordering Information

EXAMPLE: 880810-RW-TM-CC-90CRI

LED Round Panel	Size/Wattage	Shape	Series	CCT Switchable	CRI
88	0810 - 8 in/10W 1215 - 12 in/15W	RW - Round - Wet Location	TM - ThinTek™ Mini	CC - 3000K/4000K/5000K	90CRI (Standard)

Accessories
90025-H (25W High Voltage Emergency Battery Backup)
T-BR-EM (T-Bar Bracket for Emergency Battery Backup)

Specifications and Dimensions subject to change without notice.

Accessories are purchased separately.

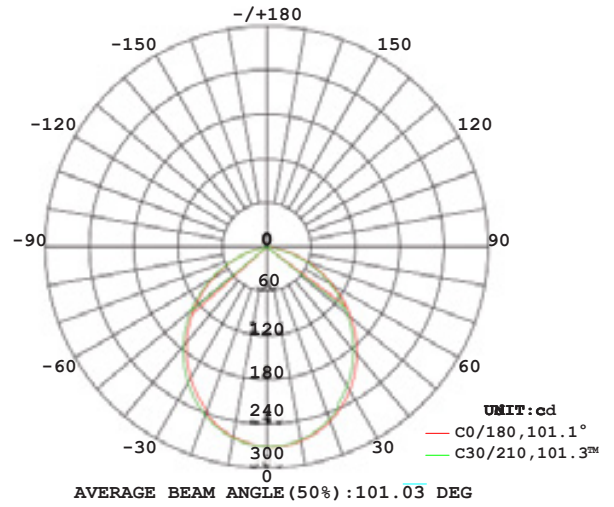
*MOQ and longer lead times may apply, please contact customer service for more information.

Performance Information

Input Voltage	120-277VAC
Input Frequency	60Hz
Wattage	See Performance Table
Delivered Lumens	See Performance Table
Efficacy	See Performance Table
CRI	>90
Available CCT	3000K, 4000K, 5000K
Reported L70	36,000+ hours
Power Factor	>0.9
THD	<20%
Dimming	Phase/TRIAC Dimming in 120VAC
Operating Temp.	-4°~104°F
IP Rating	Wet Location Rated/IP44

Photometric Data

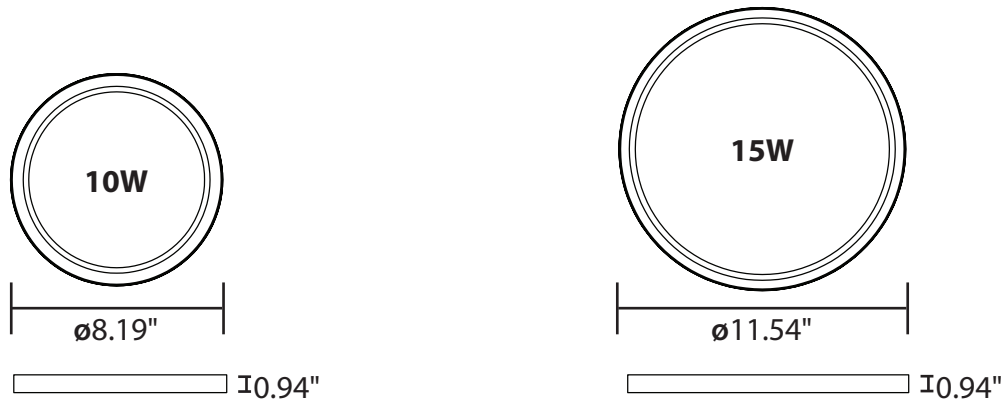
*IES Available Upon Request



Performance Table

SKU	Wattage (W)	3000K	
		Delivered Lumens (lm)	Efficacy (lm/W)
880810-RW-TM-CC-90CRI	10	850	85
881215-RW-TM-CC-90CRI	15	1275	85

Product Dimensions



Accessories



High Voltage Emergency Battery Backup (25W)
[90025-H]



T-Bar Emergency Battery Bracket
[T-BR-EM]

Dimmer Compatibility List

Recommended dimmers

Lutron	Leviton
MSCL-OP153M	DSL06-1LZ
DVW-603PGH	6674-P0W
PD-6WCL	IPL06-10Z
SCL-153P	6672-1LW
CTCL-153P	
MACL-153M	
DVCL-153P	