



120VAC/Triac Dimming

ThinTek™ Wafer SR

Direct Mount Recessed

DESCRIPTION

The Thintek™ Wafer series is a versatile and efficient solution for commercial and residential spaces, that can be installed in shallow plenum areas with as little as two inches of ceiling space. Thintek™ Wafer is IC-rated with a thermally protected driver box, which can be installed in a wide variety of ceilings and joists with ease. The CCT selection switch allows for a selection between 2700K, 3000K, 3500K, 4000K, and 5000K. With Title 24 certification, 90 CRI, and a variety of sizes, shapes, and lumen packages, the ThinTek™ Wafer provides increased functionality, reliable performance, and a fast, simple installation process.

APPLICATIONS

Residential, Institution, Hospitality, Retail, Offices, Schools, Hospitals, Airports and Hallways.

FEATURES

Construction

Die-cast aluminum housing and PC lens.
Air-tight IC Rated.

Optical System

Glare controlling lens for comfortable light distribution.
Provides a 110° beam angle.

Warranty

5 year warranty.
See warranty documentation for more information.



Electrical

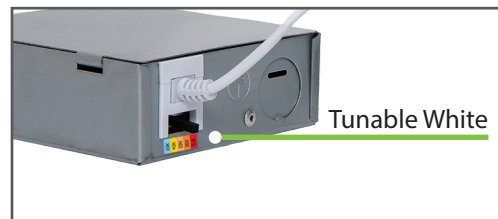
Input voltage: 120VAC, 60Hz
25W High Voltage Emergency Battery Backup option available.
12" Power Cable (Standard): Extension Cable option available in 3' or 10'.

Installation/ Mounting

Recessed Mounting with adjustable spring loaded retention tabs for secure fixture.

Controls/Dimming

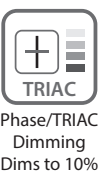
Triac Dimming (Dims to 10%) See page 3 (Dimmer Compatibility List)
Tunable White between 2700K, 3000K, 3500K 4000K, 5000K.



ThinTek™ Wafer SR

- 3", 8W (500 lm)
- 4", 10W (650 lm)
- 4", 12W (850 lm)
- 6", 12W (900 lm)
- 6", 15W (1100 lm)
- 8", 18W (1500 lm)

Projected L70: 50,000+ hours
Warranty: 5 Years
Phase/ TRIAC Dimming (10%)



Ordering Information

EXAMPLE: TWSR-0306-C-S

Series	Size/Wattage	CCT Switchable	Input Voltage/Control
TWSR - ThinTek Wafer Square Regressed	0308 - 3"/8W 0410 - 4"/10W 0615 - 6"/15W 0818 - 8"/18W	C - 2700K/3000K/3500K/4000K/5000K	S - 120VAC/Triac Dimming

Accessories

- TW-EC03 (3' Extension Cable)
- TW-EC10 (10' Extension Cable)
- 90025-H (25W High Voltage Emergency Battery Backup)

Specifications and Dimensions subject to change without notice.

*MOQ and longer lead times may apply, please contact customer service for more information.

Accessories options are purchased separately.

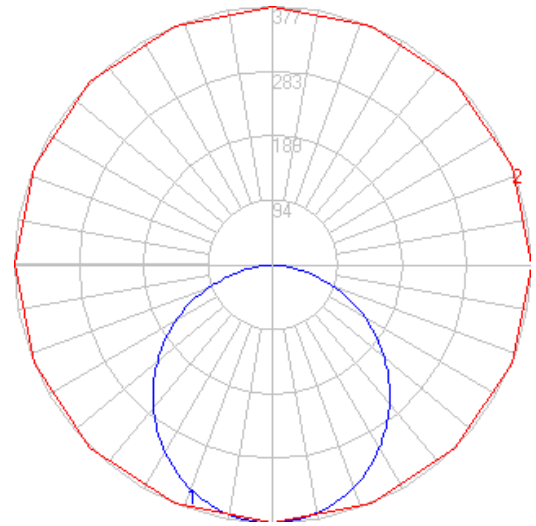
Performance Information

Input Voltage	120VAC
Input Frequency	60Hz
Wattage	See Performance Table
Delivered Lumens	See Performance Table
Efficacy	See Performance Table
CRI	>90
Available CCT	2700K, 3000K, 3500K, 4000K, 5000K
Projected L70	50,000+ hours
Power Factor	>0.9
THD	<20%
Dimming	Triac /Phase Dimming (Compatible Dimmer List Available)
Operating Temp.	-4°~104°F

Photometric Data

6" 15W

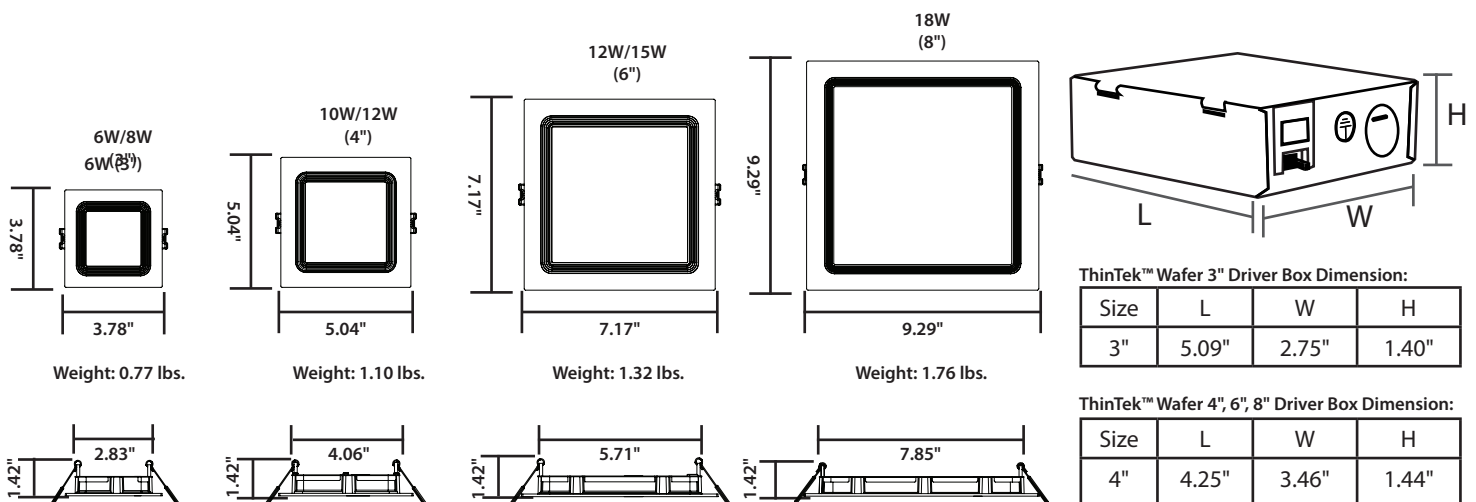
* IESNA LM-63 IES Available



Performance Table

SKU	Size (in)	Wattage (W)	5000K	
			Delivered Lumens (lm)	Efficacy (lm/W)
TWSR-0308-C-S	3	8	500	63
TWSR-0410-C-S	4	10	650	65
TWSR-0412-C-S	4	12	850	71
TWSR-0612-C-S	6	12	900	75
TWSR-0615-C-S	6	15	1100	73
TWSR-0818-C-S	8	18	1500	83

Product Dimensions



ThinTek™ Wafer 3" Driver Box Dimension:

Size	L	W	H
3"	5.09"	2.75"	1.40"

ThinTek™ Wafer 4", 6", 8" Driver Box Dimension:

Size	L	W	H
4"	4.25"	3.46"	1.44"

Installation Kits and Accessories



**3' or 10'
Extension Cable
(Option)**
[TW-EC03, TW-EC10]



**High Voltage
Emergency Backup
25W
(Option)**
[90025-H]

Dimmer Compatibility List

Recommended dimmers

Lutron	Leviton	EATON
DVCL-153PR-WH CTCL-153PDH-WH TGCL-153PH-WH MACL-153MH-WH P-PKG1W-WH-R	R62-06674-P0W R12-06672-1LW R50-IPL06-10M	SAL06P-LA-K