

Date:	
Project Name:	
SKU #:	

T-SPEC™
Architectural Lighting

Not all products are qualified on the DLC® QPL. To view our DLC® qualified products, please consult the DLC® Qualified Products List at www.designlights.org/qpl.



CEILING GRID TYPE



15/16"
Exposed
Type T-Bar
(15)

9/16"
Slim Exposed
Type T-Bar
(09)

9/16"
Slot Type
T-Bar
(S9)

APPLICATIONS

Commercial, Retail, Office, Public Spaces

FEATURES

Construction

- Aluminum frame for maximum rigidity and lightweight body.
- Convective cooling.

Finish

- Silver Frame
- White Lens

Electrical & Technical

- Input Voltage: 100-277V
- Input Frequency: 50/60Hz
- Projected Life: L70 > 50,000 hrs
- PF: >0.9
- CRI: >80
- THD: <20%
- CCT: *3000K, 3500K, 4000K, 5000K
- Operating Temp.: -4°F ~ 104°F
- IP Rating: Damp Location
- Three T-Specs' Powered Single Driver via PoE Connection:
 - 30W Driver: Powers up to three 10W, 2' T-Spec™
 - 60W Driver: Powers up to three 20W, 4' T-Spec™
- CMP Cable [Plenum Rated] Option: ANSI/NFPA Standard 262-1985 (UL-910) compliant
- 12' Extension Cable (Option)
- 12W Emergency Inverter Option (Power Per Driver)
- 10W Bodine Inverter Option (Power Per Driver)

Optical

- Acrylic Lens
- Wall Wash:
Contact TGS For Details

Installation/Mounting

- Suitable for T-Bar Grid installation:
- 15/16" Exposed Type T-Bar Grid
 - 9/16" Slim Exposed T-Bar Grid
 - 9/16" Slot T-Bar Grid
- See Page 3 For Compatibility Chart

Controls

- 0-10V Dimming

Warranty

- 5 Year Warranty
- See warranty documentation for more information.

Lumen Output

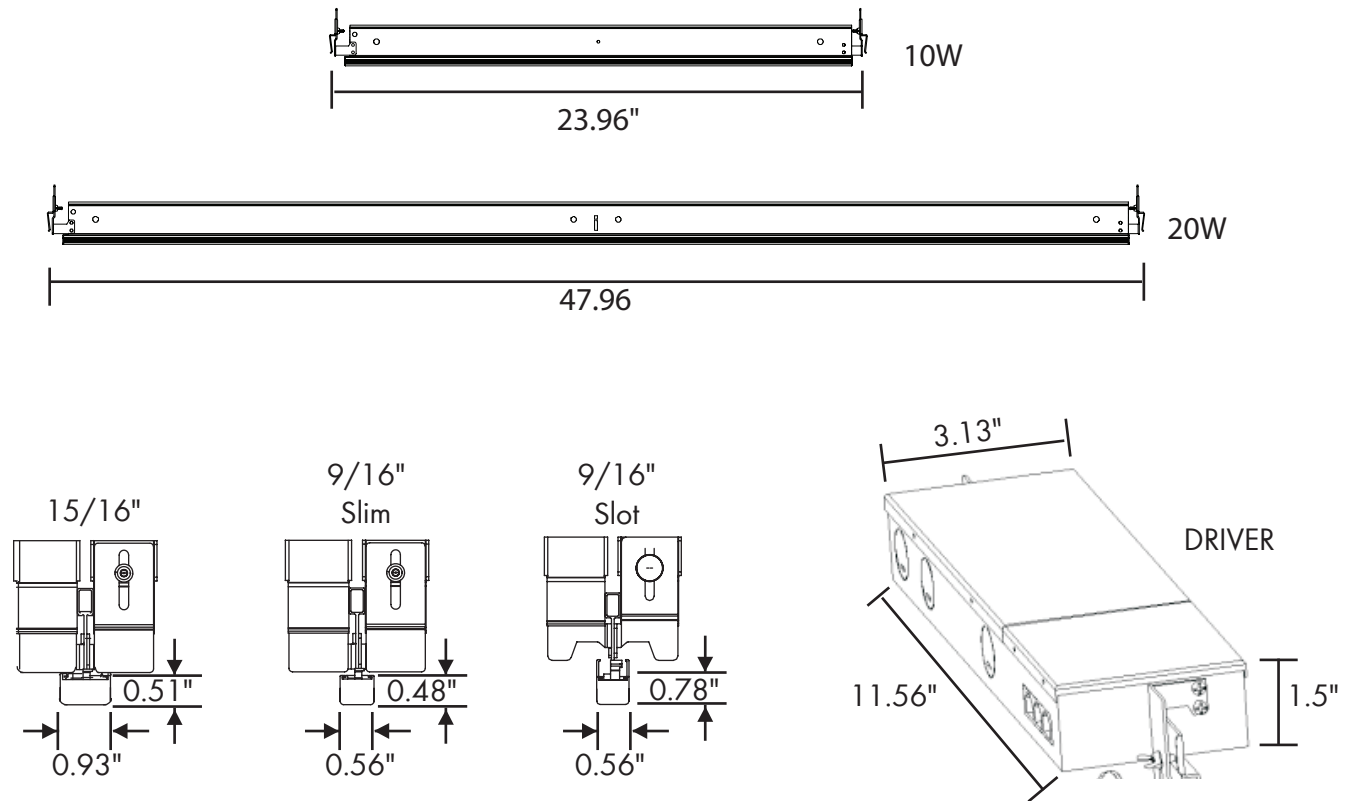
- 10W: 1,300lm
- 20W: 2,600lm



ORDERING INFORMATION **EXAMPLE: TSPEC2-10W-50K-15-U-D**

Series	Size	Wattage	CCT	Ceil Grid Type	Input Voltage	Control
TSPEC	2 - 2'	10W	30K - 3000K* 35K - 3500K	15 - 15/16" Exposed Type T-Bar 09 - 9/16" Slim Exposed Type T-Bar	U - 100-277V	D - 0-10V Dimming
	4 - 4'	20W	40K - 4000K 50K - 5000K	S9 - 9/16" Slot Type T-Bar		
				Drivers	Accessories	
				TSPEC2-30W-DRIVER (T-Spec™ 2' [30W Driver]) TSPEC4-60W-DRIVER (T-Spec™ 4' [60W Driver])	ELIS10CDF (Bodine Inverter 10W) WP-CEP-12C-200VPE1 (EM Inverter 12W) TSPEC-EXT-12FT (12ft Extension Cable) T-BR-EM (T-Bar Bracket for Emergency Battery Backup)	

DIMENSIONS



LUMEN OUTPUT

SKU	Wattage (W)	Delivered Lumens (lm)	Efficacy (lm/W)
TSPEC2-10W-50K-U-D	10	1300	130
TSPEC4-20W-50K-U-D	20	2600	130

ACCESSORIES



Bodine Inverter 10W
(Option)
(Installed Remotely)
(Works up to 100W)
[ELIS10CDF]



Emergency Inverter 12W
(Option)
[WP-CEP-12C-200VPE1]



T-Bar Emergency
Battery Bracket
[TR-BR-EM]



Extension Cable
(12')
[TSPEC-EXT12FT]

COMPATIBLE CEILING CHART

TSPECX-XXW-XXK-09-U-D

TSPECX-XXW-XXK-S9-U-D

TSPECX-XXW-XXK-15-U-D



9/16" Flat

9/16" Slot

15/16" Flat

T-SPEC™ Ceiling Compatibility



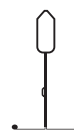
Suprane® XL



Silhouette® 1/4" XL



Silhouette® 1/8" XL

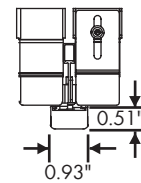
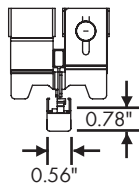
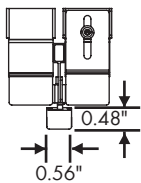


Silhouette® Exposed
XL & XL MAX



Clean Room

Size



Lengths/Wattages/Lumen

2'/10W/1100 lm
4'/20W/2200 lm

2'/10W/1100 lm
4'/20W/2200 lm

2'/10W/1300 lm
4'/20W/2600 lm

Efficacy

>110 lm/W

>110 lm/W

>130 lm/W

120° Beam Angle

✓

✓

✓

100-277VAC Input

✓

✓

✓

24V DC Options

✓

✓

✓

Custom Pattern

✓

✓

Plenum Rated Cable

✓

✓

✓

Emergency Option

✓

✓

✓

UL/CUL

✓

✓

✓

Note: Suprane®, Silhouette®, Interlude®, Sonata®, Prelude®, are trademarks of Armstrong World Industries (AWI) company.