



VCP™

Visual Comfort Post Top

DESCRIPTION

The VCP™ Post Top is an elegant decorative post top designed with the pedestrians in mind. The VCP™ modern design visually elevates the surrounding during the day and transforms into a guiding light at night. The post top is a combination of low profile pole height and recessed lighting source for reduced glare and soft, even illumination.

APPLICATIONS

Walking Pathways, Pedestrian Plazas, Building Perimeters

FEATURES



VCP™

45W (5,450 lm)
70W (8,500 lm)
87W (10,600 lm)
130W (15,800 lm)

Projected L70: >50,000 hours
System Efficacy: 120+ LpW
Warranty: 5 years
1-10V Dimming

Construction

Die-cast aluminum housing.
Available Finish: Dark Bronze, White, and *Black

Electrical

Input voltage: 120-277VAC
347-480VAC (only available for 130W)

Optical System

Efficient optical performance. Precision molded acrylic diffuser provides visual comfort and low glare.
Distribution: General.

Installation/ Mounting

Pole mount: Slips over a 2 3/8" or 3" tenon.
Suitable for heights between 8-20 ft.
Pole Adapter available: See Page 3.

Warranty

5 Year Warranty.
See warranty documentation for more information.

Controls/Dimming

1-10V Dimming
On/Off Photocell option available

EPA Rating/Outdoor Rating

See Page 2 for EPA Rating Information
Enclosure Rating: Wet Location Rated



Wet Location Rated



Dark Sky Friendly
(Zero Uplight/
3000K)



Visual Comfort



Photocell Option



Low Glare
Precision Molded
Acrylic Diffuser



Zero Uplight
DarkSky Friendly
Compliant at 3000K

Ordering Information

EXAMPLE: VCP-87W-40K-U-D0-G-D

Series	Wattage	CCT	Input Voltage	Control	Distribution	Finish
VCP	45W 70W 87W 130W	30K - 3000K 40K - 4000K 50K - 5000K	U -120-277VAC H - 347-480VAC (for 130W)	D0 (1-10V Dimming) D (Photocell Control)	G - General	D - Dark Bronze W - White *B - Black

Pole Adapter

TGS-VTS4-D (4" Square Pole Mount with 2 3/8" O.D Tenon)
TGS-VTS5-D (5" Square Pole Mount with 2 3/8" O.D Tenon)
TGS-VT3-D (3" Round Pole Mount with 2 3/8" O.D Tenon)
TGS-VT4-D (4" Round Pole Mount with 2 3/8" O.D Tenon)

Specifications and Dimensions subject to change without notice.

Optional adapter sold separately.

*MOQ and longer lead times may apply, please contact customer service for more information.

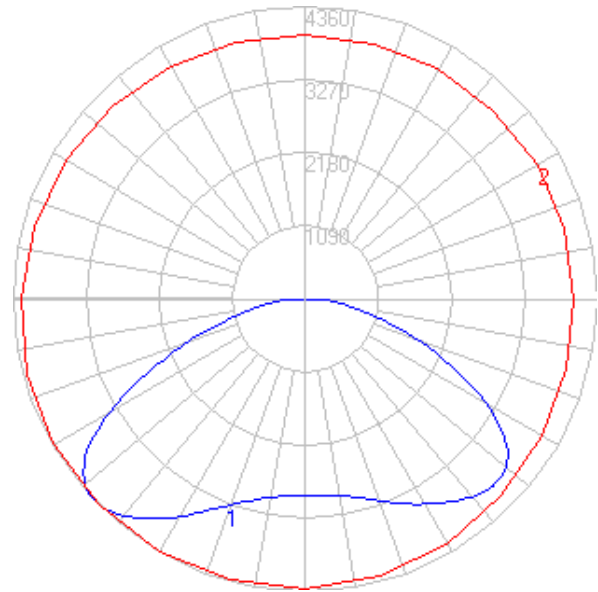
Performance Information

Input Voltage	120-277VAC, 347-480VAC Option for 130W
Input Frequency	50/60Hz
Wattage	See Performance Table
Delivered Lumens	See Performance Table
System Efficacy	See Performance Table
CRI	>70
Available CCT	3000K, 4000K, 5000K
Projected L70	>50,000 hours
Power Factor	≥0.9
THD	<20%
Dimming	1-10V Dimming
Operating Temp.	-40°~113°F
IP Rating	Wet Location

Photometric Data

130W at 5000K

* IESNA LM-63 IES Available



Performance Table

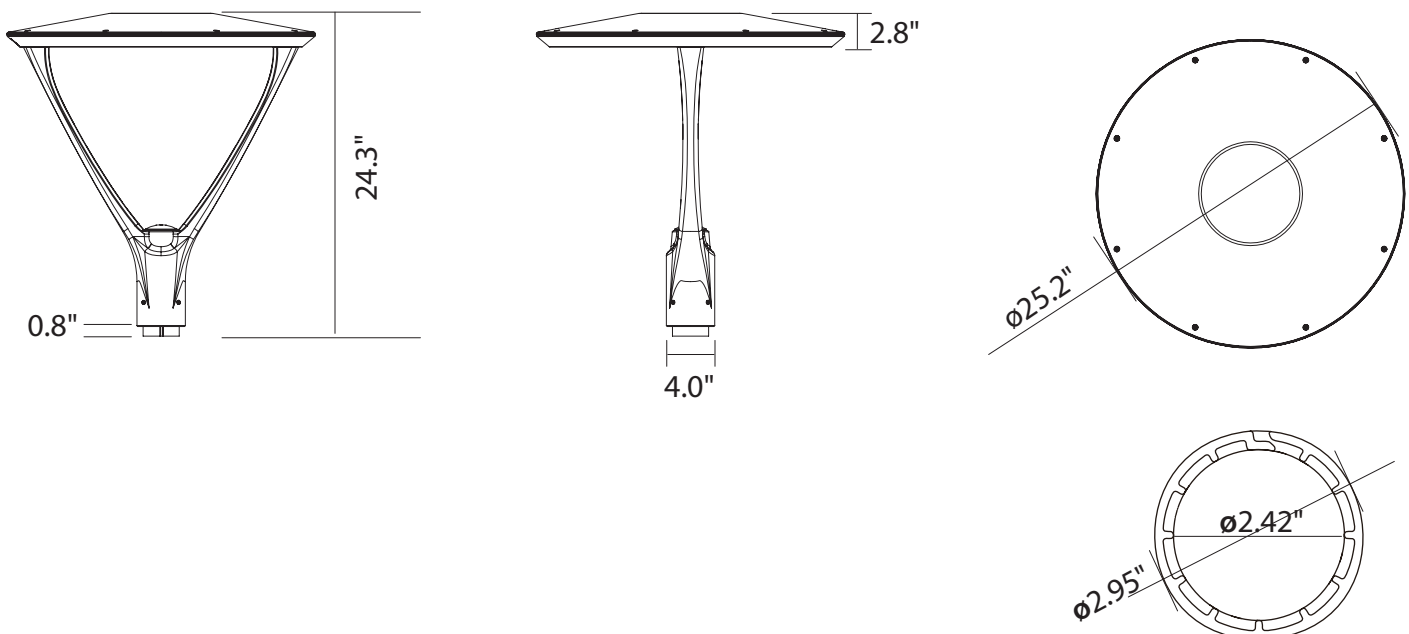
SKU	Wattage (W)	4000K	
		Delivered Lumens (lm)	System Efficacy (lm/W)
VCP-45W-40K-U-D0-G-D	45	5450	120
VCP-70W-40K-U-D0-G-D	70	8600	123
VCP-87W-40K-U-D0-G-D	87	10600	121
VCP-130W-40K-U-D0-G-D	130	15800	122

Electrical Load

System Wattage (W)	Current (A)					
	120V	208V	240V	277V	347V	480V
45	0.38	0.22	0.19	0.16	-	-
70	0.58	0.34	0.29	0.25	-	-
87	0.73	0.42	0.36	0.36	-	-
130	1.08	0.63	0.54	0.47	0.37	0.27

Product Diagram

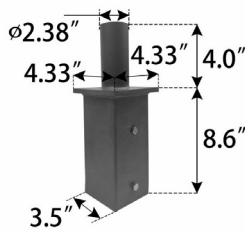
Weight: 26.46 lbs. EPA Rating (ft²): 1



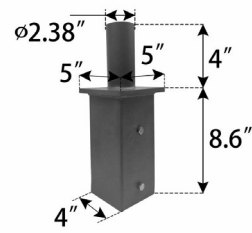
B.U.G. Rating

Wattage (W)	B	U	G
45	2	0	1
70	2	0	2
87	3	0	2
130	3	0	2

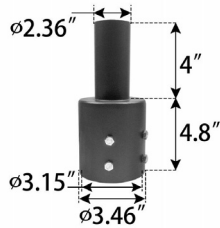
Accessories



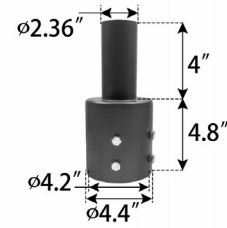
4" Square Pole
W/ 2-3/8" O.D Tenon
[TGS-VTS4-D]



5" Square Pole
W/ 2-3/8" O.D Tenon
[TGS-VTS5-D]



3" Round Pole
W/ 2-3/8" O.D Tenon
[TGS-VT3-D]



4" Round Pole
W/ 2-3/8" O.D Tenon
[TGS-VT4-D]