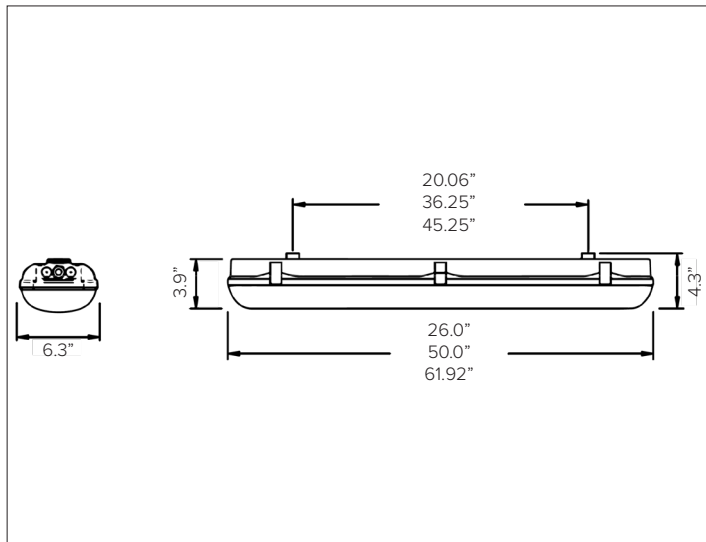


LINDA UL

Professional LED Surface / Suspended Mount Luminaire



CONCEPT

Commercial linear LED vapor tight for use in applications in commercial, industrial, residential and food industry environments.

SOURCE

Linear LED module.

Optic The Engine is made up of Linear LED boards. High luminance diffuser is UV stabilized with Low glare, UGR<22, Photoengraved interior and smooth outer surface. Opal Lens and internal reflector options, see *Optic Version* section.

Color Temperature 3000K / 3500K / 4000K / 5000K

CRI >80 (R9 <50%), >90 available on request.

Lifetime L80 100,000hrs

ELECTRICAL CHARACTERISTICS

Halogen free electronic wiring 0-10V constant current LED Driver, 120- 277V 50/60Hz, UL Listed, Class P, Class 2 output. In case of simple ON-OFF usage, leave 0-10V connection open. Low inrush current and total harmonic distortion (THD), high power factor and efficiency

Driver EL= Integral Class I constant current output, SELV, power factor >0.97, Flicker <4%. 10= Integral 0-10V dimming driver class I constant current output, SELV, power factor >0.90, Flicker<4%

Voltage Universal 120-277V AC 50/60Hz

Version	Delivered Lumens	Wattage	Efficiency	Max Ambient Temp
2ft (26.00")	15 1512Lm	12W	130Lm/W	40°C
	25 2549Lm	19W	132Lm/W	40°C
	35 3594Lm	28W	126Lm/W	40°C
4ft (50.00")	45 4606Lm	34W	137Lm/W	40°C
	60 6137Lm	46W	135Lm/W	40°C
	75 7668Lm	59W	130Lm/W	35°C
	90 9186Lm	74W	124Lm/W	30°C
5ft (61.92")	95 9705Lm	69W	133Lm/W	35°C
	110 10829Lm	83W	131Lm/W	30°C

Performance results are referred to ambient temperature of 77°F/25°C. CCT=4000K CRI=80 and tested in accordance with IESNA LM-79. Calculation for LED fixtures are according to IES LM-80 test procedure.

MECHANICAL CHARACTERISTICS

Housing Reinforced blend of polyphenylene ether (PPE) + high impact polystyrene (HIPS). Outdoor Suitability, flame retardant. Snug fit safety snap-lock clips for diffuser mounting in stainless steel, screwdriver opening. Possibility for technicians to access the interior of the luminaire. Luminaire cool to touch.

Materials Injection molded diffuser in self-extinguishing V2 polycarbonate. Photoengraved inner surface, UV stabilized, low glare, UGR<22 with smooth outer surface, tamper-proof opening. Reflector unit comprised hot-galvanized steel, painted in white polyester. Rapid fix Stainless Steel clip fixing to the body with hinged opening, and mounting brackets.

Finish Grey RAL 7035 housing.

IP Rating IP66

IK Rating IK10

Fixture Weight 2ft = 3lb 15.5oz / 4ft = 6lb 1.00 oz / 5ft = 7lb 5.6oz

Operating Temp Operating Ambient Temp: -4 to +104°F (-20°C to +40°C)
Temperature class: T6 (max 185°F / 85°C)

Sensor Options Internal and External Occupancy and Photocell options available.

MOUNTING

Available mounting accessories for ceiling, wall and suspension mounting. (Not suitable for installation on surfaces subject to strong vibrations, completely exposed to weather conditions or on ropes/poles).

INSTALLATION

A certified electrician to install luminaire according to local building regulations. The compatibility with the use of any chemicals, which could compromise plastic material, must be evaluated. Product suitable for installation in food-production/processing environments (HACCP, IFS, BRC Standard).

WARRANTY

5 year limited warranty

CERTIFICATIONS

cULus Wet Location Listed. DLC Certified

SUSTAINABILITY

The luminaire is 90% recyclable. Carbon footprint available on request. Replacable LED at driver component available to promote sustainable fixture.

LINDA UL

SPECIFICATION INFORMATION

3FLD

1

2

3

4

5

6

7

Ex: 3FLDL2B15830D0PS

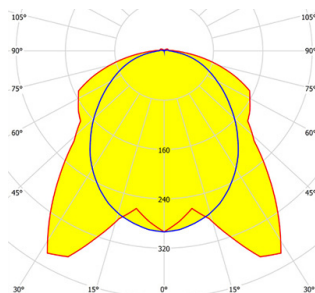
Optional

1 - PRODUCT CODE	2 - LENGTH	3 - OPTIC	4 - OUTPUT	5 - KELVIN	6 - CONTROL	7 - OPTIONS
3FLD — Linda LED	L2 — 26.00"	B — Standard	15 — 1500Lm	830 — 3000K	D0 — 0-10V DD — Dali	PS — Photo Sensor
		S — Soft	25 — 2500Lm 35 — 3500Lm	835 — 3500K 840 — 4000K		
		L4 — 50.00"	B — Standard	45 — 4500Lm		850 — 5000K
	L4 — 50.00"	S — Soft	60 — 6000Lm			PB ^A — Photo Sensor with 90min Integral Emergency Battery Back-Up Unit
		N — Narrow	75 — 7500Lm			BB ^A — 90min Integral Emergency Battery Back-Up Unit
		W — Wide	90 ^B — 9000Lm			
	L5 — 61.92"	B — Standard	95 ^B — 9500Lm			PS — Photo Sensor
		S — Soft	11 ^B — 11000Lm			PB ^A — Photo Sensor with 90min Integral Emergency Battery Back-Up Unit
		N — Narrow				BB ^A — 90min Integral Emergency Battery Back-Up Unit
	W — Wide					

^A Available for 50" and 61.92" fixture lengths only.

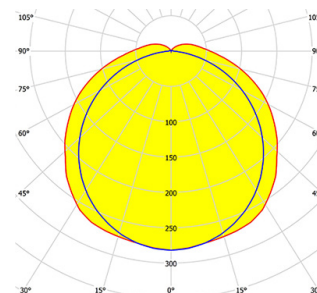
OPTIC VERSIONS

B — Standard



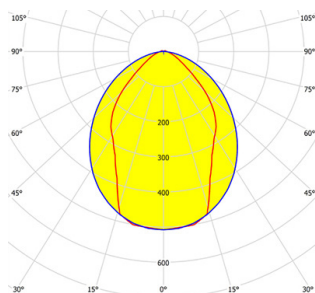
Diffuser in self-extinguishing V2 polycarbonate, photo-engraved interior, UV stabilized, injection molded with smooth outer surface. Available in all lengths.

S — Soft



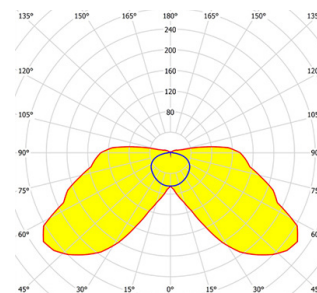
Soft opal diffuser in self-extinguishing V2 polycarbonate, photo-engraved interior, UV stabilized, injection molded. Available in all lengths.

N — Narrow



Concentrated elliptical distribution. Internal high efficiency specular aluminum reflector with clear diffuser in self-extinguishing V2 polycarbonate, photo-engraved interior, UV stabilized, injection molded with smooth outer surface. Available for 50" and 61.92" fixture lengths only.

W — Wide

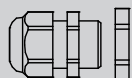


Internal high efficiency specular aluminum with clear diffuser in self-extinguishing V2 polycarbonate, photo-engraved interior, UV stabilized, injection molded with smooth outer surface. Available for 50" and 61.92" fixture lengths only.

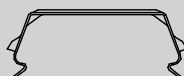
LINDA UL

MOUNTING

Each fixture contains ALL of the following installation materials as standard.



1pc Grey PVC 1/2" Knockout Cable Strain Relief



2pcs Stainless Steel fixture mounting clips



2pcs Stainless Steel fixture hanging clips



4pc > L = 26in
8pc > L = 50in
10pc > L = 62in
Stainless Steel fixture cover clips

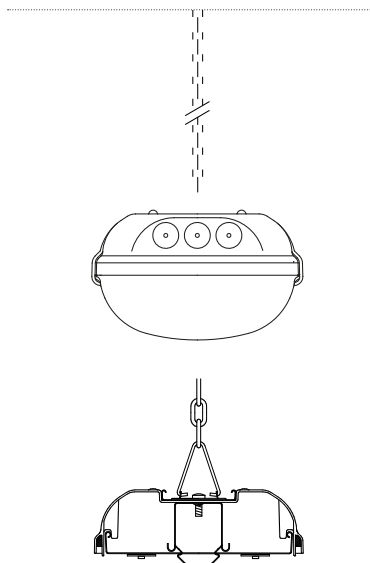


1pc L = 50in
1pc L = 62in
Grey rubber cable grommet

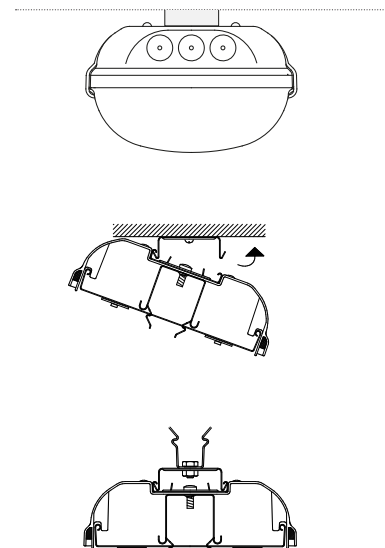


1pc Black neoprene ceiling or wall mount spacing grommet

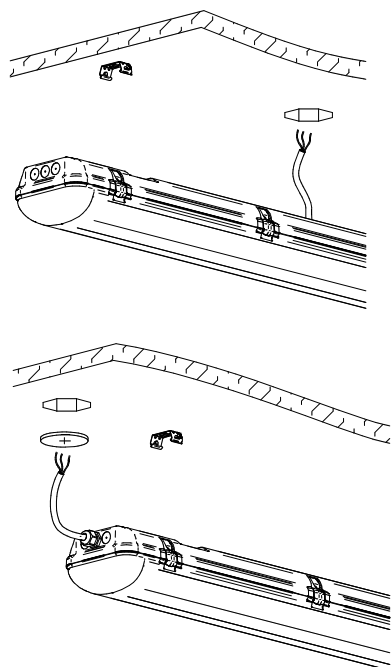
Suspended



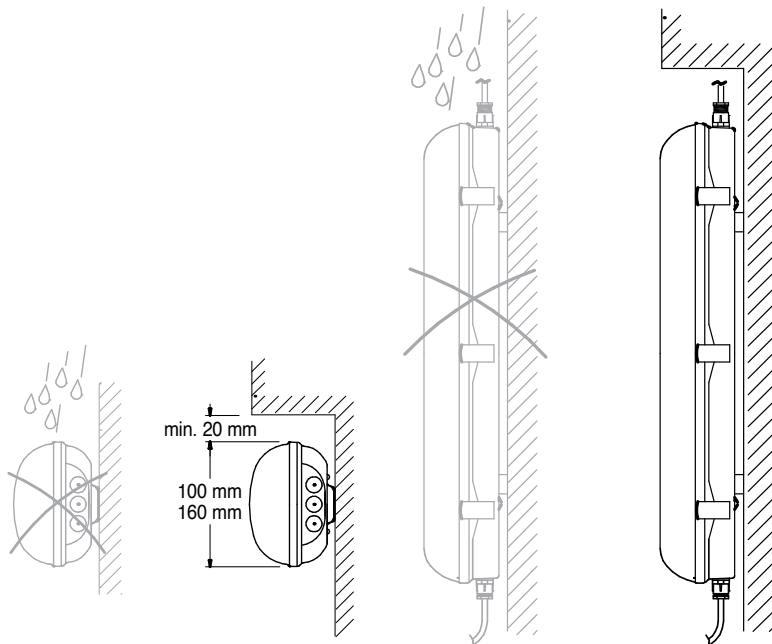
Ceiling Surface



Junction Box

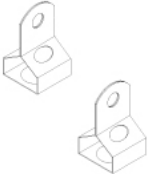


Wall Surface



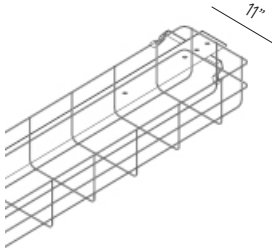
LINDA UL

ACCESSORIES



Suspension hook kit, 2pcs. Stainless steel. **To be used for suspended installations.**

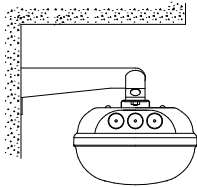
Part No. **A0463**



Wireguard, galvanized steel Ø5mm rod. **To be used for indoor surface mount applications only for extra fixture protection.**

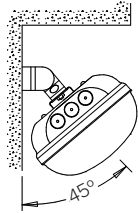
Length 52"L 64"L

Part No. **A0457 A0458**



Long bracket kit, 2ea. Stainless Steel. **To be used for ceiling or wall mounting.**
Dimension: 6"L

Part No. **A0452**

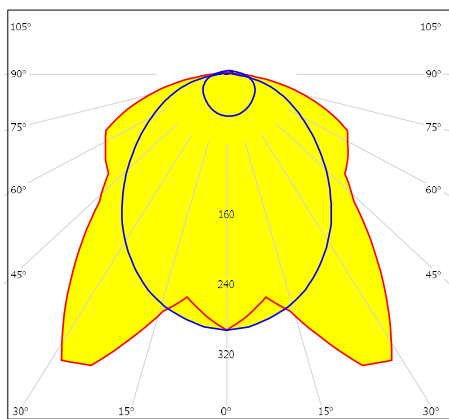


Short bracket kit, 2ea. Stainless Steel. **To be used for ceiling or wall mounting.**
Dimension: 2"L
Minimum tilt angle: 45°

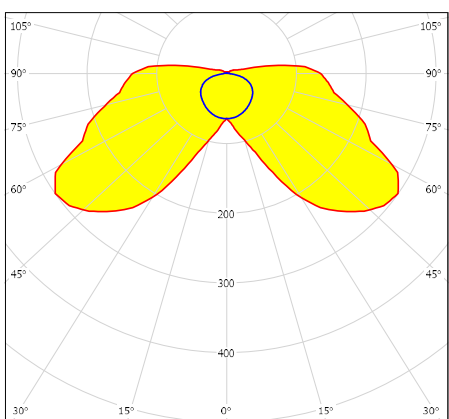
Part No. **A0450**

LINDA UL

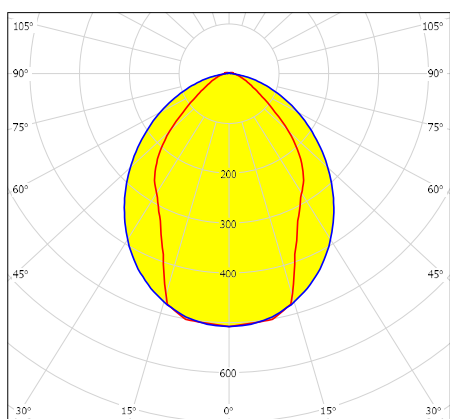
PHOTOMETRY



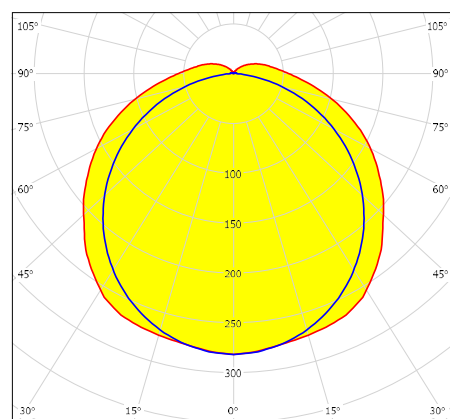
Standard



WIDE



NARROW



SOFT

CCT Conversion Factor

CCT	Conversion Factor	Rf (TM30)	Rg (TM30)
3000 K	0.950	84	95
3500 K	0.970	84	96
4000 K	1.000	84	95
5000 K	0.995	84	97