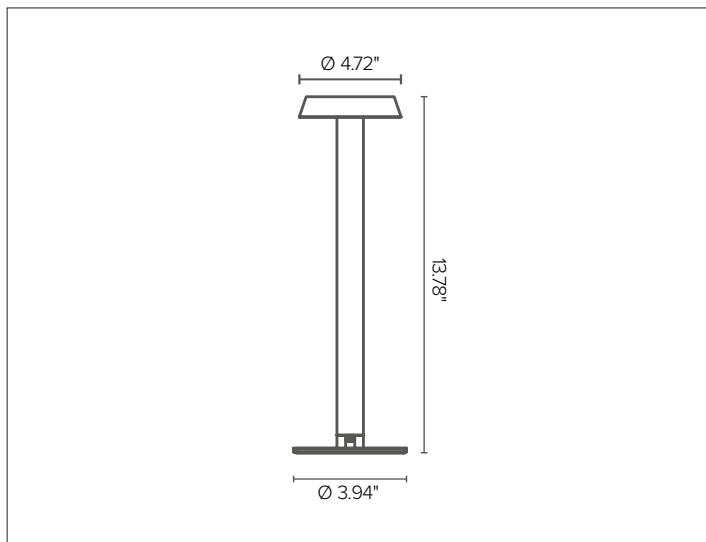


# MARAMA

## Portable LED Table Lamp



### CONCEPT

Touch sense controlled LED table lamp, dimmable and cordless. Elegant and essential design, perfect for both modern and classical settings.

### MECHANICAL CHARACTERISTICS

<b>Materials</b>	Powder-coated aluminum, frosted polycarbonate lens.
<b>Features</b>	Operated by a 'touch on' on the top of the diffuser. The touch activates on/off and light intensity.
<b>Protection</b>	IP53
<b>Finish</b>	Textured finish. <input type="radio"/> White <input type="radio"/> Corten <input type="radio"/> Black

### CERTIFICATIONS

ETL Listed  
RoHS Compliant

### WARRANTY

3 year limited warranty

### ELECTRICAL CHARACTERISTICS

<b>Power Supply</b>	Battery operated. Battery life of up to 12 hours at full light output. Equipped with large capacity 6600mAh rechargeable lithium battery. Type-C charging cable included (can be used with any cable with Type-C jack), charger USB C not included. Battery charging time 5-6 hours. Intensity (dimming) and TW option controlled with touch sense activated trigger.
<b>Wattage</b>	2W
<b>Voltage</b>	5V DC
<b>Operating Temp</b>	-25°C / +45°C
<b>Trigger Time</b>	<0,2 s

### SOURCE

LED source with diffused light directed downwards.

TM30	CCT (Nominal)	CRI	Rg		
	3000K	90	0		
	TW 1800K – 4000K	90	0		
LED DETAILS	W	Efficacy	Lm	Kelvin	Lifetime**
	2.0	50	100	3000K	L70 B20
	2.0	50	100	1800K–4000K	L70 B50

# MARAMA

## SPECIFICATION INFORMATION

**MAR**

1                      2                      3                      4

Ex: MAR0230WH

1 - PRODUCT CODE	2- WATTAGE	3 - KELVIN	4 - FINISH
MAR — MARAMA	02 — 2W	30 — 3000K	WH — White BK — Black CO — Corten
		TW <sup>^</sup> — 1800K — 4000K	WH — White BK — Black

<sup>^</sup> TW option only available in WH or BK finishes.