

**Key Features**

- Ideal for Parking Garages, Wash Down Areas, Industrial & Manufacturing, Covered Canopies, Pedestrian Tunnels, and Airports
- Single & Continuous Run, Available in 2ft (up to 6,200 Lumens) and 4ft (Up to 11,600 Lumens) Length Offerings
- 3000K, 3500K, 4000K, 5000K CCT Multichip High Power 80 CRI LEDs
- IP67/IP69 Rated, IK10 Rated (Polycarbonate Lens), and IK07 Rated (Acrylic Lens)
- 20kA Surge Protection (120V - 277V & 347V - 480V) & Emergency Battery Back-Up Options
- Visually Comfortable Distributions and Low-Profile Lens
- Corrosion Resistant Hardware and Housing, Vandal Resistant and Tamper Proof Options
- Controls Agnostic, Compatible with Most Control Systems
- White Standard Fixture Color (Consult Factory for Custom Color)
- Reduce Energy Consumption, L70 > 100,000 hours
- Up-light Parking/Wide Distribution Option for Visual Comfort
- Buy America (n) Option Available
- Cost Competitive and Short Shipping Lead Times in Days & Weeks
- Easy to Install Mounting Options

**The AVSL (Architectural Vapor Shield Luminaire) is a high-powered, non-corrosive, fiberglass reinforced polyester linear ceiling mount fixture ideal for utility lighting, comes in 2ft and 4ft length configurations.**

**The AVSL (Architectural Vapor Shield Luminaire) comes in two configurations (2F and 4F) with four Kelvin color temperatures 3000K, 3500K, 4000K and 5000K.**

**Four optical distribution patterns include General Area, Wide Area, Parking Garage, and a Clear Lens optical distribution pattern. Two types of lenses (Acrylic and Polycarbonate) are available for the Frosted Wide and Parking optical distributions.**

**Mounting options include the Standard Stainless Steel Straps, V Hook, Surface Mount Bracket, Suspension Kit, and Top Hub.**

**Other options include FSP-221B with Motion Sensor, Stainless Steel Latches, Tamper Proof Hardware, Vandal Resistant Hardware, Emergency Battery Backup, 20KA Surge Protector, Dual Feed Load Control Bypass Relay, and Single Fuse.**

**Applications include:**

- Parking Garages
- Covered Canopies
- Pedestrian Tunnels
- Warehouses
- Stairwells
- Airports
- Industrial
- Security Lighting
- Commercial

**Designed for harsh, damp, and seldom cleaned locations.**



Project Name:

Type:

# AVSL ORDERING GUIDE

Cat#	Fixture Size	Lumens	Kelvin	Distribution <sup>④</sup>
Architectural Vapor Shield Luminaire <b>(AVSL)</b>	2 Ft <b>(2F)</b>	2F 2000 Lumens <b>(2F2)</b>	3000K, 80 CRI <b>(30K8)</b>	General Acrylic Frosted <b>(G)</b>
	4 Ft <b>(4F)</b>	2F 3000 Lumens <b>(2F3)</b>	3500K, 80 CRI <b>(35K8)</b>	Wide Acrylic Frosted <b>(W)</b>
		2F 4000 Lumens <b>(2F4)</b>	4000K, 80 CRI <b>(40K8)</b>	Frosted Wide Polycarbonate <b>(WPC)<sup>③</sup></b>
		2F 5000 Lumens <b>(2F5)</b>		Parking Acrylic <b>(P)</b>
		2F 6000 Lumens <b>(2F6)</b>		Parking Polycarbonate <b>(PPC)<sup>③</sup></b>
		4F 4000 Lumens <b>(4F4)</b>		Clear Lens Acrylic <b>(CLR)<sup>③</sup></b>
		4F 5000 Lumens <b>(4F5)</b>		
		4F 6000 Lumens <b>(4F6)</b>		
		4F 7000 Lumens <b>(4F7)</b>		
		4F 8000 Lumens <b>(4F8)</b>		
		4F 9000 Lumens <b>(4F9)</b>		
	4F 10000 Lumens <b>(4F10)</b>			
	4F 11000 Lumens <b>(4F11)</b>			

Volts	Mounting	Options
120-277 <b>(UNV)</b>	Standard Strap Ceiling Mount/Wall Mount <b>(SS)</b>	FSP-221B with Motion Sensor (120-480V) <b>(FSP-8HV)</b>
347-480 <b>(HV)</b>	V Hook Ceiling Mount <b>(VH)</b>	*8'-And Below* Heights <b>(FSP-20HV)</b>
	Surface Bracket Ceiling Mount/Wall Mount <b>(SB)</b>	*9'-20" Heights <b>(FSP-40HV)</b>
	Suspension Kit Ceiling Mount <b>(SK)</b>	*21'-40" Heights
	Top Hub Ceiling Mount <b>(TH)</b>	Stainless Steel Latches <b>(SSL)</b>
		Tamper-Proof 316 Stainless Steel Latch With Nut & Screw <b>(SS-TP)</b>
		Vandal Resistant Hardware <b>(VR)</b>
		Emergency Battery Back-Up 6W <b>(EM-6)<sup>①②</sup></b>
		20 KA Surge Protector <b>(20KA)</b>
		Dual Feed Load Control Bypass Relay <b>(DLCBR)</b>
		Single Fuse <b>(SF)</b>

**Notes:**

- ① Universal Voltage 120-277
- ② 4F Fixture Only
- ③ Consult Factory for Lumens
- ④ General distribution provided with smooth frosted lens, Wide distribution provided with frosted prismatic lens, Parking distribution provided with clear prismatic lens. Polycarbonate only available in Wide and Parking distributions.

\* Standard fixture color is white, consult factory for custom color  
 \* Consult Factory for Step Dimming/Controls  
 \* For Vandal Resistant, select PC + VR Hardware

# PRODUCT SPECIFICATIONS

## ELECTRICAL

- 120-277 Volts (UNV) 347-480 Volts (HV)
- CRI 80
- Color temperatures: 3000K, 3500K, 4000K, 5000K
- LED Drivers Ambient Temp. Min (degC) is -40C and Ambient Temp. Max (degC) 55C; Ideal for cold storage environments.

## CONSTRUCTION

- Rigid one piece white compression molded fiberglass reinforced polyester composition.
- Dust and moisture tight Vaportite housing
- Continuous En-seal™ polyurethane water tight gasket
- F1 weather-ability rating.
- Self-Extinguishing (ASTM-D635-74) with UL 5VA flame rating compound
- 1/2" NPT conduit connection at both ends standard
- Driver mounted to driver tray for thermal isolation

## EASY TO INSTALL MOUNTING OPTIONS

- Stainless steel mounting straps (SS) as standard.
- V Hook
- Surface Bracket
- Suspension Kit
- Top Hub

## OPTIONS

- Stainless Steel Latches
- Tamper-Proof Stainless Steel Latches
- Vandal Resistant Hardware
- Emergency Battery Back-Up (4F Only)
- Surge Protection 20KA
- Dual Feed Load Control Bypass Relay
- Single Fuse

## CONTROLS

- FSP-221B With Motion Sensor
- Controls Agnostics: Please contact factory for your preferred controls option.

## OPTICS

- General Optic Frosted (Acrylic)
- Wide Optic Frosted (Acrylic)
- Frosted Wide Optic (Polycarbonate)
- Parking Optic (Acrylic)
- Parking Optic (Polycarbonate)
- Clear Lens Optic (Acrylic)

## WARRANTY

Five-year limited warranty for drivers and LEDs

## LISTINGS

- UL/cUL Recognized Component
- Wet Location Listed
- IP65, IP66 and IP67
- IP69K Rated using 2F Clear Lens (CLR) or 2F Parking Poly Carbonate (PPC)
- NSF International certified for NSF/ANSI Standard 2-Food Equipment
- RoHS Compliant

## VISUALLY COMFORTABLE DISTRIBUTIONS AND LOW-PROFILE LENS



General Acrylic Frosted



Wide Acrylic Frosted



Parking Acrylic



Clear Lens Acrylic



Frosted Wide Polycarbonate



Parking Polycarbonate



The information and specifications on this document are subject to change without any notification. All values are design, nominal, or typical or prorated values when measured under internal and external laboratory conditions.

**2F GENERAL DISTRIBUTION LUMEN CHART**

PART NUMBER	Lumens	LM/W	Watts
AVSL-2F-2F2-30K8-G	2043	102	20
AVSL-2F-2F2-35K8-G	2105	105	20
AVSL-2F-2F2-40K8-G	2137	107	20
AVSL-2F-2F2-50K8-G	2137	107	20
AVSL-2F-2F3-30K8-G	2962	102	29
AVSL-2F-2F3-35K8-G	3053	105	29
AVSL-2F-2F3-40K8-G	3099	107	29
AVSL-2F-2F3-50K8-G	3099	107	29
AVSL-2F-2F4-30K8-G	3881	102	38
AVSL-2F-2F4-35K8-G	4000	105	38
AVSL-2F-2F4-40K8-G	4060	107	38
AVSL-2F-2F4-50K8-G	4060	107	38
AVSL-2F-2F5-30K8-G	5186	104	50
AVSL-2F-2F5-35K8-G	5345	107	50
AVSL-2F-2F5-40K8-G	5425	109	50
AVSL-2F-2F5-50K8-G	5425	109	50

**2F WIDE DISTRIBUTION LUMEN CHART**

PART NUMBER	Lumens	LM/W	Watts
AVSL-2F-2F2-30K8-W	2244	112	20
AVSL-2F-2F2-35K8-W	2312	116	20
AVSL-2F-2F2-40K8-W	2347	117	20
AVSL-2F-2F2-50K8-W	2347	117	20
AVSL-2F-2F3-30K8-W	3253	112	29
AVSL-2F-2F3-35K8-W	3353	116	29
AVSL-2F-2F3-40K8-W	3403	117	29
AVSL-2F-2F3-50K8-W	3403	117	29
AVSL-2F-2F4-30K8-W	4263	112	38
AVSL-2F-2F4-35K8-W	4394	116	38
AVSL-2F-2F4-40K8-W	4460	117	38
AVSL-2F-2F4-50K8-W	4460	117	38
AVSL-2F-2F5-30K8-W	5701	114	50
AVSL-2F-2F5-35K8-W	5876	118	50
AVSL-2F-2F5-40K8-W	5964	119	50
AVSL-2F-2F5-50K8-W	5964	119	50

**2F FROSTED WIDE POLYCARBONATE DISTRIBUTION LUMEN CHART**

PART NUMBER	Lumens	LM/W	Watts
AVSL-2F-2F2-30K8-WPC	2151	83	26
AVSL-2F-2F2-35K8-WPC	2218	85	26
AVSL-2F-2F2-40K8-WPC	2251	87	26
AVSL-2F-2F2-50K8-WPC	2251	87	26
AVSL-2F-2F3-30K8-WPC	3144	83	38
AVSL-2F-2F3-35K8-WPC	3241	85	38
AVSL-2F-2F3-40K8-WPC	3290	87	38
AVSL-2F-2F3-50K8-WPC	3290	87	38
AVSL-2F-2F4-30K8-WPC	4054	83	49
AVSL-2F-2F4-35K8-WPC	4179	85	49
AVSL-2F-2F4-40K8-WPC	4242	87	49
AVSL-2F-2F4-50K8-WPC	4242	87	49
AVSL-2F-2F5-30K8-WPC	5047	83	61
AVSL-2F-2F5-35K8-WPC	5203	85	61
AVSL-2F-2F5-40K8-WPC	5281	87	61
AVSL-2F-2F5-50K8-WPC	5281	87	61

**Lumen Maintenance Data**

Ambient Temperature	Drive Current	L90 Hours*	L70 Hours**	30,000 Hours*	50,000 Hours*	60,000 Hours*	100,000 Hours**
	1050mA	48,000	143,000	94.3%	89.5%	87.2%	78.5%

\*Reported extrapolations per IESNA TM-21      \*\*Projected extrapolations per IESNA TM-21



701 Kingshill Place, Carson, CA 90746  
P: (310) 341-2037

[nslighting.com](http://nslighting.com)

**2F PARKING DISTRIBUTION LUMEN CHART**

PART NUMBER	Lumens	LM/W	Watts
AVSL-2F-2F2-30K8-P	2184	109	20
AVSL-2F-2F2-35K8-P	2252	113	20
AVSL-2F-2F2-40K8-P	2285	114	20
AVSL-2F-2F2-50K8-P	2285	114	20
AVSL-2F-2F3-30K8-P	3167	109	29
AVSL-2F-2F3-35K8-P	3265	113	29
AVSL-2F-2F3-40K8-P	3314	114	29
AVSL-2F-2F3-50K8-P	3314	114	29
AVSL-2F-2F4-30K8-P	4150	109	38
AVSL-2F-2F4-35K8-P	4278	113	38
AVSL-2F-2F4-40K8-P	4342	114	38
AVSL-2F-2F4-50K8-P	4342	114	38
AVSL-2F-2F5-30K8-P	5548	111	50
AVSL-2F-2F5-35K8-P	5719	114	50
AVSL-2F-2F5-40K8-P	5804	116	50
AVSL-2F-2F5-50K8-P	5804	116	50

**2F PARKING POLYCARBONATE DISTRIBUTION LUMEN CHART**

PART NUMBER	Lumens	LM/W	Watts
AVSL-2F-2F2-30K8-PPC	2053	103	20
AVSL-2F-2F2-35K8-PPC	2116	106	20
AVSL-2F-2F2-40K8-PPC	2147	107	20
AVSL-2F-2F2-50K8-PPC	2147	107	20
AVSL-2F-2F3-30K8-PPC	2976	103	29
AVSL-2F-2F3-35K8-PPC	3068	106	29
AVSL-2F-2F3-40K8-PPC	3114	107	29
AVSL-2F-2F3-50K8-PPC	3114	107	29
AVSL-2F-2F4-30K8-PPC	4311	103	42
AVSL-2F-2F4-35K8-PPC	4443	106	42
AVSL-2F-2F4-40K8-PPC	4509	107	42
AVSL-2F-2F4-50K8-PPC	4509	107	42
AVSL-2F-2F5-30K8-PPC	5132	103	50
AVSL-2F-2F5-35K8-PPC	5290	106	50
AVSL-2F-2F5-40K8-PPC	5368	107	50
AVSL-2F-2F5-50K8-PPC	5368	107	50

**2F CLEAR LENS DISTRIBUTION LUMEN CHART**

PART NUMBER	Lumens	LM/W	Watts
AVSL-2F-2F2-30K8-CLR	2393	120	20
AVSL-2F-2F2-35K8-CLR	2466	123	20
AVSL-2F-2F2-40K8-CLR	2503	125	20
AVSL-2F-2F2-50K8-CLR	2503	125	20
AVSL-2F-2F3-30K8-CLR	3469	120	29
AVSL-2F-2F3-35K8-CLR	3576	123	29
AVSL-2F-2F3-40K8-CLR	3630	125	29
AVSL-2F-2F3-50K8-CLR	3630	125	29
AVSL-2F-2F4-30K8-CLR	4546	120	38
AVSL-2F-2F4-35K8-CLR	4686	123	38
AVSL-2F-2F4-40K8-CLR	4756	125	38
AVSL-2F-2F4-50K8-CLR	4756	125	38
AVSL-2F-2F5-30K8-CLR	5024	120	42
AVSL-2F-2F5-35K8-CLR	5180	123	42
AVSL-2F-2F5-40K8-CLR	5257	125	42
AVSL-2F-2F5-50K8-CLR	5257	125	42
AVSL-2F-2F6-30K8-CLR	5992	120	50
AVSL-2F-2F6-35K8-CLR	6177	124	50
AVSL-2F-2F6-40K8-CLR	6269	125	50
AVSL-2F-2F6-50K8-CLR	6269	125	50



701 Kingshill Place, Carson, CA 90746  
P: (310) 341-2037

[nslighting.com](http://nslighting.com)

4F GENERAL DISTRIBUTION LUMEN CHART

PART NUMBER	Lumens	LM/W	Watts
AVSL-4F-4F4-30K8-G	3967	102	39
AVSL-4F-4F4-35K8-G	4089	105	39
AVSL-4F-4F4-40K8-G	4150	106	39
AVSL-4F-4F4-50K8-G	4150	106	39
AVSL-4F-4F5-30K8-G	4984	102	49
AVSL-4F-4F5-35K8-G	5137	105	49
AVSL-4F-4F5-40K8-G	5214	106	49
AVSL-4F-4F5-50K8-G	5214	106	49
AVSL-4F-4F6-30K8-G	6001	102	59
AVSL-4F-4F6-35K8-G	6186	105	59
AVSL-4F-4F6-40K8-G	6278	106	59
AVSL-4F-4F6-50K8-G	6278	106	59
AVSL-4F-4F7-30K8-G	6916	102	68
AVSL-4F-4F7-35K8-G	7129	105	68
AVSL-4F-4F7-40K8-G	7236	106	68
AVSL-4F-4F7-50K8-G	7236	106	68
AVSL-4F-4F8-30K8-G	7933	102	78
AVSL-4F-4F8-35K8-G	8178	105	78
AVSL-4F-4F8-40K8-G	8300	106	78
AVSL-4F-4F8-50K8-G	8300	106	78
AVSL-4F-4F9-30K8-G	9028	101	89
AVSL-4F-4F9-35K8-G	9306	105	89
AVSL-4F-4F9-40K8-G	9445	106	89
AVSL-4F-4F9-50K8-G	9445	106	89

4F WIDE DISTRIBUTION LUMEN CHART

PART NUMBER	Lumens	LM/W	Watts
AVSL-4F-4F4-30K8-W	4026	82	49
AVSL-4F-4F4-35K8-W	4150	85	49
AVSL-4F-4F4-40K8-W	4212	86	49
AVSL-4F-4F4-50K8-W	4212	86	49
AVSL-4F-4F5-30K8-W	5587	82	68
AVSL-4F-4F5-35K8-W	5759	85	68
AVSL-4F-4F5-40K8-W	5845	86	68
AVSL-4F-4F5-50K8-W	5845	86	68
AVSL-4F-4F6-30K8-W	6409	82	78
AVSL-4F-4F6-35K8-W	6606	85	78
AVSL-4F-4F6-40K8-W	6705	86	78
AVSL-4F-4F6-50K8-W	6705	86	78
AVSL-4F-4F7-30K8-W	7292	82	89
AVSL-4F-4F7-35K8-W	7517	84	89
AVSL-4F-4F7-40K8-W	7629	86	89
AVSL-4F-4F7-50K8-W	7629	86	89

4F FROSTED WIDE POLYCARBONATE DISTRIBUTION LUMEN CHART

PART NUMBER	Lumens	LM/W	Watts
AVSL-4F-4F4-30K8-WPC	4054	83	49
AVSL-4F-4F4-35K8-WPC	4179	85	49
AVSL-4F-4F4-40K8-WPC	4242	87	49
AVSL-4F-4F4-50K8-WPC	4242	87	49
AVSL-4F-4F5-30K8-WPC	5627	83	68
AVSL-4F-4F5-35K8-WPC	5800	85	68
AVSL-4F-4F5-40K8-WPC	5887	87	68
AVSL-4F-4F5-50K8-WPC	5887	87	68
AVSL-4F-4F6-30K8-WPC	6454	83	78
AVSL-4F-4F6-35K8-WPC	6653	85	78
AVSL-4F-4F6-40K8-WPC	6752	87	78
AVSL-4F-4F6-50K8-WPC	6752	87	78
AVSL-4F-4F7-30K8-WPC	7294	82	89
AVSL-4F-4F7-35K8-WPC	7519	84	89
AVSL-4F-4F7-40K8-WPC	7631	87	89
AVSL-4F-4F7-50K8-WPC	7631	87	89

4F PARKING DISTRIBUTION LUMEN CHART

PART NUMBER	Lumens	LM/W	Watts
AVSL-4F-4F4-30K8-P	4031	103	39
AVSL-4F-4F4-35K8-P	4155	107	39
AVSL-4F-4F4-40K8-P	4217	108	39
AVSL-4F-4F4-50K8-P	4217	108	39
AVSL-4F-4F5-30K8-P	5065	103	49
AVSL-4F-4F5-35K8-P	5221	107	49
AVSL-4F-4F5-40K8-P	5299	108	49
AVSL-4F-4F5-50K8-P	5299	108	49
AVSL-4F-4F6-30K8-P	5995	103	58
AVSL-4F-4F6-35K8-P	6180	107	58
AVSL-4F-4F6-40K8-P	6272	108	58
AVSL-4F-4F6-50K8-P	6272	108	58
AVSL-4F-4F7-30K8-P	7028	103	68
AVSL-4F-4F7-35K8-P	7245	107	68
AVSL-4F-4F7-40K8-P	7353	108	68
AVSL-4F-4F7-50K8-P	7353	108	68
AVSL-4F-4F8-30K8-P	8062	103	78
AVSL-4F-4F8-35K8-P	8311	107	78
AVSL-4F-4F8-40K8-P	8434	108	78
AVSL-4F-4F8-50K8-P	8434	108	78
AVSL-4F-4F9-30K8-P	9177	103	89
AVSL-4F-4F9-35K8-P	9460	106	89
AVSL-4F-4F9-40K8-P	9601	108	89
AVSL-4F-4F9-50K8-P	9601	108	89

4F PARKING POLYCARBONATE DISTRIBUTION LUMEN CHART

PART NUMBER	Lumens	LM/W	Watts
AVSL-4F-4F4-30K8-PPC	4003	103	39
AVSL-4F-4F4-35K8-PPC	4126	106	39
AVSL-4F-4F4-40K8-PPC	4187	107	39
AVSL-4F-4F4-50K8-PPC	4187	107	39
AVSL-4F-4F5-30K8-PPC	5029	103	49
AVSL-4F-4F5-35K8-PPC	5184	106	49
AVSL-4F-4F5-40K8-PPC	5261	107	49
AVSL-4F-4F5-50K8-PPC	5261	107	49
AVSL-4F-4F6-30K8-PPC	6055	103	59
AVSL-4F-4F6-35K8-PPC	6242	106	59
AVSL-4F-4F6-40K8-PPC	6335	107	59
AVSL-4F-4F6-50K8-PPC	6335	107	59
AVSL-4F-4F7-30K8-PPC	6979	103	68
AVSL-4F-4F7-35K8-PPC	7194	106	68
AVSL-4F-4F7-40K8-PPC	7301	107	68
AVSL-4F-4F7-50K8-PPC	7301	107	68
AVSL-4F-4F8-30K8-PPC	8005	103	78
AVSL-4F-4F8-35K8-PPC	8252	106	78
AVSL-4F-4F8-40K8-PPC	8375	107	78
AVSL-4F-4F8-50K8-PPC	8375	107	78
AVSL-4F-4F9-30K8-PPC	9057	102	89
AVSL-4F-4F9-35K8-PPC	9336	105	89
AVSL-4F-4F9-40K8-PPC	9475	108	89
AVSL-4F-4F9-50K8-PPC	9475	108	89

4F CLEAR LENS DISTRIBUTION LUMEN CHART

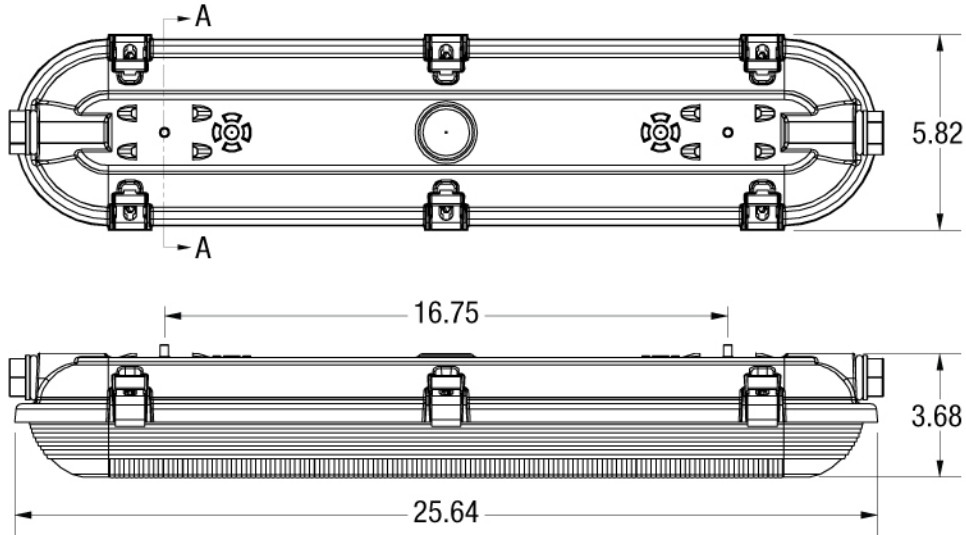
PART NUMBER	Lumens	LM/W	Watts
AVSL-4F-4F4-30K8-CLR	4020	126	32
AVSL-4F-4F4-35K8-CLR	4144	130	32
AVSL-4F-4F4-40K8-CLR	4206	131	32
AVSL-4F-4F4-50K8-CLR	4206	131	32
AVSL-4F-4F5-30K8-CLR	5025	126	40
AVSL-4F-4F5-35K8-CLR	5180	130	40
AVSL-4F-4F5-40K8-CLR	5257	131	40
AVSL-4F-4F5-50K8-CLR	5257	131	40
AVSL-4F-4F6-30K8-CLR	6156	126	49
AVSL-4F-4F6-35K8-CLR	6346	130	49
AVSL-4F-4F6-40K8-CLR	6440	131	49
AVSL-4F-4F6-50K8-CLR	6440	131	49
AVSL-4F-4F7-30K8-CLR	7035	126	56
AVSL-4F-4F7-35K8-CLR	7252	130	56
AVSL-4F-4F7-40K8-CLR	7360	131	56
AVSL-4F-4F7-50K8-CLR	7360	131	56
AVSL-4F-4F8-30K8-CLR	8041	126	64
AVSL-4F-4F8-35K8-CLR	8288	130	64
AVSL-4F-4F8-40K8-CLR	8412	131	64
AVSL-4F-4F8-50K8-CLR	8412	131	64
AVSL-4F-4F9-30K8-CLR	9046	126	72
AVSL-4F-4F9-35K8-CLR	9324	130	72
AVSL-4F-4F9-40K8-CLR	9463	131	72
AVSL-4F-4F9-50K8-CLR	9463	131	72
AVSL-4F-4F10-30K8-CLR	10051	126	80
AVSL-4F-4F10-35K8-CLR	10360	130	80
AVSL-4F-4F10-40K8-CLR	10515	131	80
AVSL-4F-4F10-50K8-CLR	10515	131	80
AVSL-4F-4F11-30K8-CLR	11111	125	89
AVSL-4F-4F11-35K8-CLR	11453	129	89
AVSL-4F-4F11-40K8-CLR	11624	131	89
AVSL-4F-4F11-50K8-CLR	11624	131	89



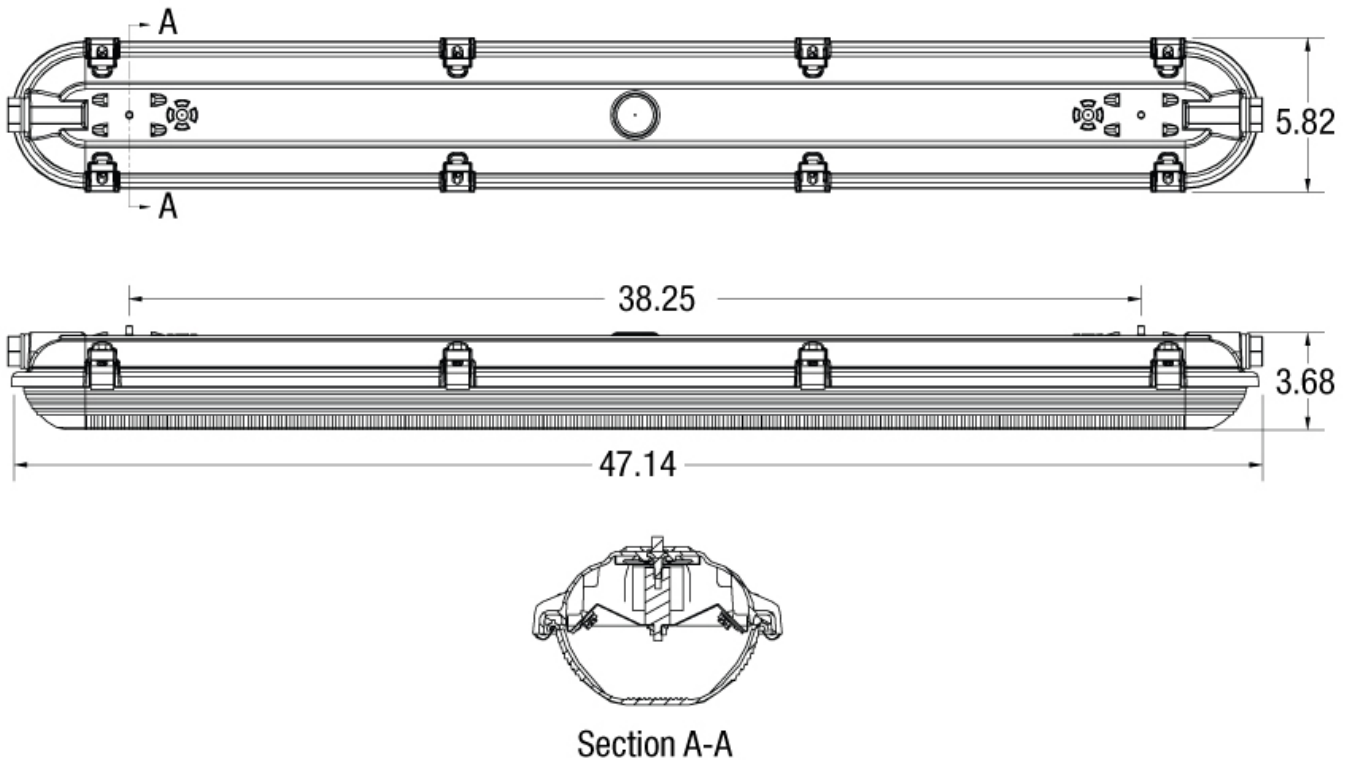
DIMENSIONS

WEIGHT	L-PG
AVSL-2F	5 LBS
AVSL-4F	9 LBS

### AVSL-2F

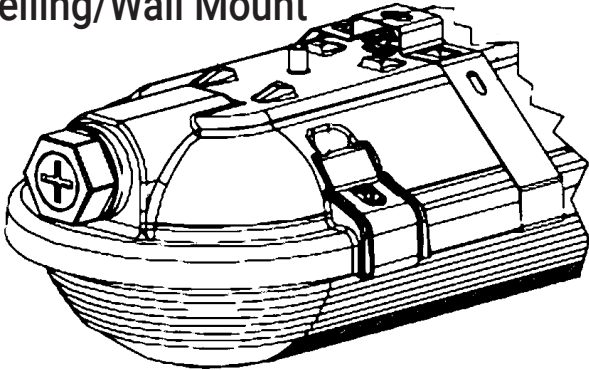


### AVSL-4F

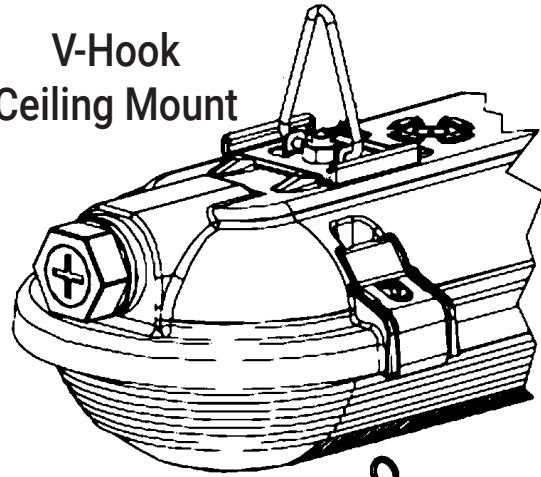


Easy to Install Mounting Options

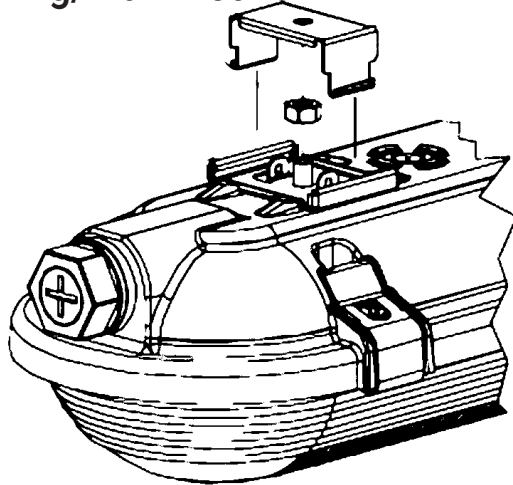
**Standard Strap  
Ceiling/Wall Mount**



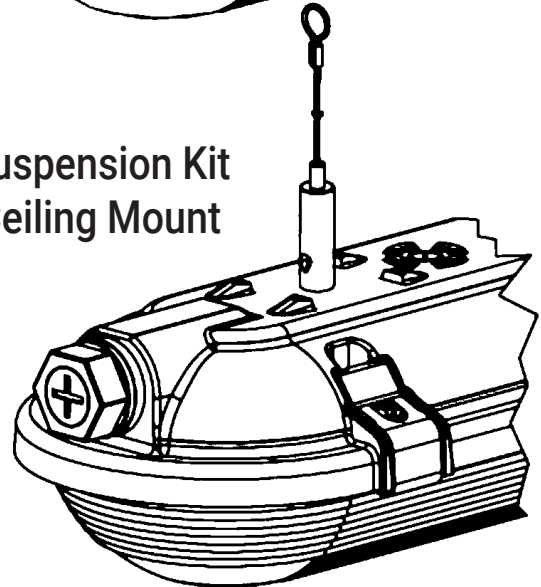
**V-Hook  
Ceiling Mount**



**Surface Bracket  
Ceiling/Wall Mount**



**Suspension Kit  
Ceiling Mount**



**Top Hub  
Ceiling Mount**

