

LP GRAND SUSPENDED

Project name:

Project type:

Notes:



Design

Christian Flindt

Product description

A series of circular luminaires scaling from moderate to very large diameters while maintaining short heights. LP Grand is perceived as a set of coinciding rings based around a diffused plane of light. A large angled reflector circumferences the diffuser and reduces the contrast around the edge. A revolved top reflector is perfectly curved to distribute uplight in a wide angle. A colored outer band creates an interreflection of light resulting in a graceful glow of light on the outside of the top and bottom reflector. In total, it creates four rings of light surrounding the central diffuser. Part of a family with a range of sizes and mounting options.



Variant options

Dimension	Color	Light source	Lumen	Voltage frequency	Class	Lighting control
12.6 IN	● Black	LED 2700K 12W	1052	120-277V/60HZ	-	Dim 0-10v
22.8 IN	● Champagne	LED 3000K 114W	11171		I	Phase+dim 0-10v
34.6 IN	○ White	LED 3000K 12W	1151			
58.3 IN		LED 3000K 200W	11573			
		LED 3000K 60W	1166			
		LED 3500K 114W	21747			
		LED 3500K 200W	22529			
		LED 3500K 60W	5463			
		LED 4000K 12W	5659			

Specification notes

a. 22.8" only available in 59W LED. b. 34.6" only available in 113W LED. c. 58.3" only available in 212W LED. d. All variants come with white cord and canopy.

Light description

Very wide, mostly downward light distribution from the flat bottom diffusing lens. Careful design of LED positioning and modern diffusing materials maximize light transmission while eliminating hot spots and glare. The interaction of light and shadow between the inner and outer rings creates a sense of depth while providing a gentle transition from the space to the illuminated diffuser. Standard CCT in 3000K or 3500K, controlled by electronic driver.

Mounting

To be mounted over a 4" octagonal outlet box. Load-bearing anchors & screws provided by others. Small and medium sized products have canopies composed of 2 flat circular plates, painted white, to allow for strong anchoring and proper management of the three suspension wires. The 22.8 IN pendant canopy plate is 13.4 inches diameter. The 34.6 IN pendant canopy plate is 22.9 inches diameter. The 58.3 IN pendant foregoes the large plates in place of two smaller, 5 inch outlet box covers while allowing the suspension wires to be attached directly onto the building support. Gripper-style holders for easy leveling. The small and medium sizes have a single power cord while the targets size has two separate cords for powering the uplight and downlight circuits separately. Electronic class II drivers for 120-277V operation and synchronous 0-10V dimming control integral to fixture.

Information

Electrical:
System Wattage: 12W, 60W, 113W or 200W
LED Wattage: 10W, 55W, 108W or 184W
Delivered lumens: 1,052 - 22,529
Efficacy: 88 lm/W - 112.6 lm/W
Certifications:
cULus, Damp Location
Protection class IP20
Controllability: 0-10V Dimming all sizes; Phase dimming on 12.6" size
Color Rendering: Ra≥90

Other functions

Alternative finishes. LED in 2700K and 4000K. Alternative dimming controls. Dual circuit wiring for separate uplight / downlight control. Downlight-only distribution. Tunable white LED system.

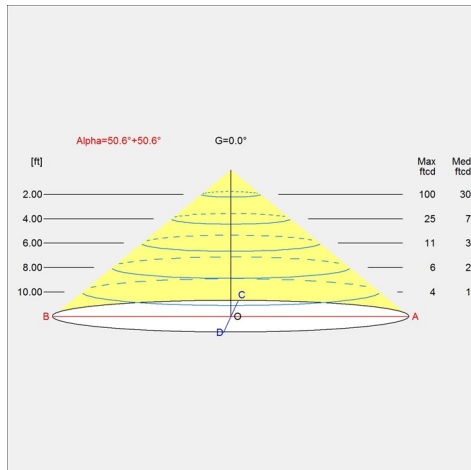
Specification notes

- a. 22.8 IN size available only in 60W.
- b. 34.6 IN size available only in 114W.
- c. 58.3 IN size available only in 200W.

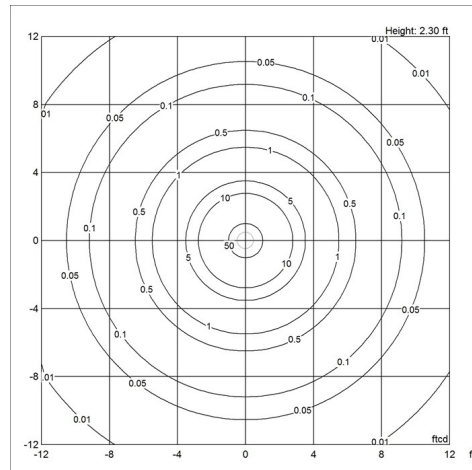
Light distribution diagrams

For the full data set on all variants, see louispoulsen.com.

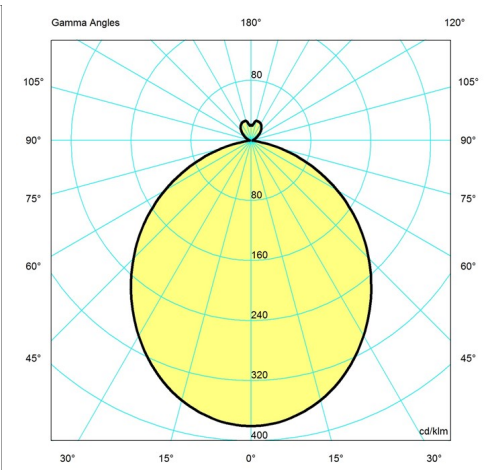
Cartesian



Isolux



Polar



Material

Outer ring, top and bottom reflectors are high quality polycarbonate materials of ABS thermoplastic, polyethylene, and/or polyurethane depending upon the pendant size. Components are thin-walled and contoured to provide rigidity while reducing weight. Materials are UV resistant to prevent fading. Diffusers of white acrylic formulated for high light transmission and diffusion. Internal framing of .06" thick aluminum. Mounting plates 0.6" thick steel. Cable: white PVC coated, 5-conductor, 18 AWG. Three 0.06 IN stainless steel aircraft-type wires. Canopy plates with matte white powder coat of minimum 2 mils thickness. Outer ring is wet painted.
Blk, Champagne, Wht

Weight

Min: 102.784 lbs Max: 5.6 lbs

Dimensions

12.6 IN, 22.8 IN, 34.6 IN, 58.3 IN

Finish

Black, Champagne, White

Voltage

120-277V/60HZ

Variant options

Dimension	Color	Light source	Lumen	Voltage frequency	Class	Lighting control	Variant number
22.8 IN	● Black	LED 3000K 60W	5463	120-277V/60HZ	-	Dim 0-10v	5741918304
22.8 IN	○ White	LED 3000K 60W	5463	120-277V/60HZ	-	Dim 0-10v	5741918281
22.8 IN	● Champagne	LED 3000K 60W	5463	120-277V/60HZ	-	Dim 0-10v	5741918294
34.6 IN	○ White	LED 3000K 114W	11171	120-277V/60HZ	-	Dim 0-10v	5741918317
34.6 IN	● Champagne	LED 3000K 114W	11171	120-277V/60HZ	-	Dim 0-10v	5741918320
34.6 IN	● Black	LED 3000K 114W	11171	120-277V/60HZ	-	Dim 0-10v	5741918333
58.3 IN	○ White	LED 3000K 200W	21747	120-277V/60HZ	-	Dim 0-10v	5741918346
58.3 IN	● Champagne	LED 3000K 200W	21747	120-277V/60HZ	-	Dim 0-10v	5741918359
58.3 IN	● Black	LED 3000K 200W	21747	120-277V/60HZ	-	Dim 0-10v	5741918362
22.8 IN	○ White	LED 3500K 60W	5659	120-277V/60HZ	-	Dim 0-10v	5741918430
22.8 IN	● Champagne	LED 3500K 60W	5659	120-277V/60HZ	-	Dim 0-10v	5741918443
22.8 IN	● Black	LED 3500K 60W	5659	120-277V/60HZ	-	Dim 0-10v	5741918456
34.6 IN	○ White	LED 3500K 114W	11573	120-277V/60HZ	-	Dim 0-10v	5741918469
34.6 IN	● Champagne	LED 3500K 114W	11573	120-277V/60HZ	-	Dim 0-10v	5741918472
34.6 IN	● Black	LED 3500K 114W	11573	120-277V/60HZ	-	Dim 0-10v	5741918485
58.3 IN	○ White	LED 3500K 200W	22529	120-277V/60HZ	-	Dim 0-10v	5741918498
58.3 IN	● Champagne	LED 3500K 200W	22529	120-277V/60HZ	-	Dim 0-10v	5741918508
58.3 IN	● Black	LED 3500K 200W	22529	120-277V/60HZ	-	Dim 0-10v	5741918511
12.6 IN	○ White	LED 2700K 12W	1052	120-277V/60HZ	I	Phase+dim 0-10v	5741938889
12.6 IN	● Champagne	LED 2700K 12W	1052	120-277V/60HZ	I	Phase+dim 0-10v	5741938892
12.6 IN	● Black	LED 2700K 12W	1052	120-277V/60HZ	I	Phase+dim 0-10v	5741938902
12.6 IN	○ White	LED 3000K 12W	1151	120-277V/60HZ	I	Phase+dim 0-10v	5741938944
12.6 IN	● Champagne	LED 3000K 12W	1151	120-277V/60HZ	I	Phase+dim 0-10v	5741938957
12.6 IN	● Black	LED 3000K 12W	1151	120-277V/60HZ	I	Phase+dim 0-10v	5741938960
12.6 IN	○ White	LED 4000K 12W	1166	120-277V/60HZ	I	Phase+dim 0-10v	5741939008
12.6 IN	● Champagne	LED 4000K 12W	1166	120-277V/60HZ	I	Phase+dim 0-10v	5741939011
12.6 IN	● Black	LED 4000K 12W	1166	120-277V/60HZ	I	Phase+dim 0-10v	5741939024