

LP SLIM ROUND SUSPENDED

Project name:

Project type:

Notes:



Design

Louis Poulsen A/S

Product description

A series of low profile, circular luminaires scaling from small to large diameters with a thin metal rim. The diffuser is uniformly illuminated. The top cover has a thin gap at the outer edge for an upward accent glow. The lower, inside edge of the housing is contoured to provide a slight transition from dark to light regions. Part of a family with a range of mounting options. Available in four colors and three sizes.



Variant options

Dimension	Color	Light source	Lumen	Voltage frequency	Shield	Lighting control
17.2 IN	● Black	-	1070	120-277V/60HZ	OPAL	Dali kelvin adjustable
26.7 IN	● Dark aluminium raw	LED 3000K 13W	1092		PRISMATIC	Dim 0-10v
9.8 IN	○ White	LED 3000K 25W	1114			
		LED 3000K 54W	1149			
		LED 3500K 13W	1254			
		LED 3500K 25W	2279			
		LED 3500K 54W	2353			
			2404			
			2659			
			5861			
			6262			

Specification notes

- a. 9.8 IN size available only in 13W.
- b. 17.2 IN size available only in 25W.
- c. 26.7 IN size available only in 54W.

Light description

Very wide, mostly downward light distribution from the flat diffusing lens. Careful design of LED positioning and modern diffusing materials maximize light transmission while eliminating hot spots and glare. The lower, inside edge of the housing is contoured to provide a slight transition from dark to light regions. The top cover has a thin gap at the outer edge for an upward accent glow. Standard CCT in 3000K or 3500K, controlled by electronic driver.

Mounting

Mounts onto a 4 inch octagonal outlet box. Canopy is white, contoured cone profile, 6.8 IN diameter x 2.8 IN tall. Cord type: 2-conductor, 18 AWG white PVC power cord. 17.2 IN and 26.7 IN sizes include a single stainless steel aircraft wire to support the weight. Cord length: 12 feet. The diffuser has integral tabs for snap-fit into the housing. Electronic, constant current, class II driver for 120-277V operation and 0-10V dimming control housed inside the canopy.

Information

Electrical:
System Wattage: 13W, 25W or 54W
LED Wattage: 12W, 23W, or 50 W
Delivered lumens: 1,092 - 6,262
Efficacy: 84.0 lm/W - 116.0 lm/W
Certifications:
cULus, Damp Location
Protection class IP20
Controllability: 0-10V Dimming
Color Rendering: Ra≥90

Other functions

Alternative finishes. Longer cord lengths. LED in 2700K, 4000K and 5000K . Alternative dimming controls. Tunable white system for 9.8 IN and 17.2 IN sizes.

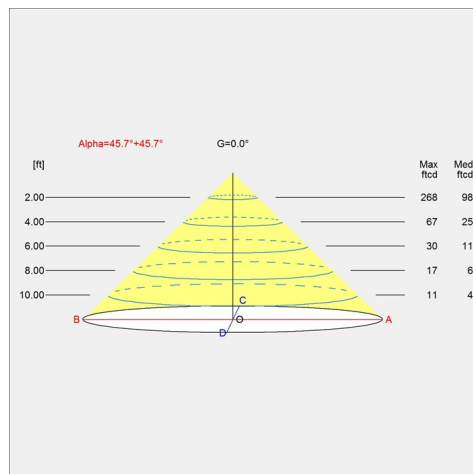
Specification notes

- a. 9.8 IN size available only in 13W.
- b. 17.2 IN size available only in 25W.
- c. 26.7 IN size available only in 54W.
- d. Tunable white available only in white finish.

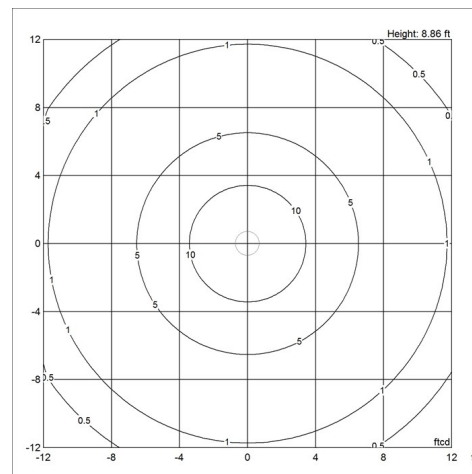
Light distribution diagrams

For the full data set on all variants, see louispoulsen.com.

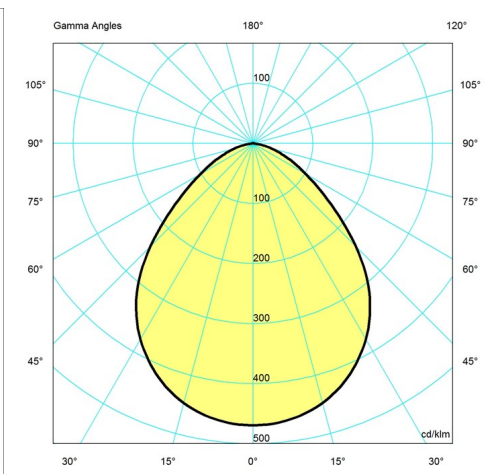
Cartesian



Isolux



Polar



Material

Housing and top cover are cast aluminium, 0.12 IN thick. Mounting brackets are 0.06 IN thick aluminum and steel. Diffuser is white acrylic formulated for high light transmission and diffusion. Materials are UV resistant to prevent fading. Internal reflective panel are white MC-PET polycarbonate, 0.03 IN thick. 17.2 IN and 26.7 IN sizes have a 0.06" stainless steel aircraft-type wire. Standard finish are matte surface powder coat with minimum 2 mils thickness in black, white, and aluminum grey. Dark grey finish is created by chemically treating the aluminum with a protective clear top coat. Alu grey, Dark aluminum, Bk, Wht

Weight

Min: 21.312 lbs Max: 9.791 lbs

Dimensions

17.2 IN, 26.7 IN, 9.8 IN

Finish

Black, Dark aluminium raw, White

Voltage

120-277V/60HZ

Variant options

Specification sheet

Dimension	Color	Light source	Lumen	Voltage frequency	Shield	Lighting control	Variant number
9.8 IN	● Black	LED 3000K 13W	1092	120-277V/60HZ	OPAL	Dim 0-10v	10000140942
9.8 IN	○ White	LED 3000K 13W	1254	120-277V/60HZ	OPAL	Dim 0-10v	10000140943
9.8 IN	● Black	LED 3500K 13W	1092	120-277V/60HZ	OPAL	Dim 0-10v	10000140945
9.8 IN	○ White	LED 3500K 13W	1254	120-277V/60HZ	OPAL	Dim 0-10v	10000140946
17.2 IN	● Black	LED 3000K 25W	2404	120-277V/60HZ	OPAL	Dim 0-10v	10000140948
17.2 IN	○ White	LED 3000K 25W	2659	120-277V/60HZ	OPAL	Dim 0-10v	10000140949
17.2 IN	● Black	LED 3500K 25W	2404	120-277V/60HZ	OPAL	Dim 0-10v	10000140951
17.2 IN	○ White	LED 3500K 25W	2659	120-277V/60HZ	OPAL	Dim 0-10v	10000140952
26.7 IN	● Black	LED 3000K 54W	5861	120-277V/60HZ	OPAL	Dim 0-10v	10000140954
26.7 IN	○ White	LED 3000K 54W	6262	120-277V/60HZ	OPAL	Dim 0-10v	10000140955
26.7 IN	● Black	LED 3500K 54W	5861	120-277V/60HZ	OPAL	Dim 0-10v	10000140957
26.7 IN	○ White	LED 3500K 54W	6262	120-277V/60HZ	OPAL	Dim 0-10v	10000140958
17.2 IN	● Dark aluminium raw	LED 3000K 25W	2404	120-277V/60HZ	OPAL	Dim 0-10v	10000151323
17.2 IN	● Dark aluminium raw	LED 3500K 25W	2404	120-277V/60HZ	OPAL	Dim 0-10v	10000151324
26.7 IN	● Dark aluminium raw	LED 3000K 54W	5861	120-277V/60HZ	OPAL	Dim 0-10v	10000151325
26.7 IN	● Dark aluminium raw	LED 3500K 54W	5861	120-277V/60HZ	OPAL	Dim 0-10v	10000151326
9.8 IN	● Dark aluminium raw	LED 3000K 13W	1092	120-277V/60HZ	OPAL	Dim 0-10v	10000151327
9.8 IN	● Dark aluminium raw	LED 3500K 13W	1092	120-277V/60HZ	OPAL	Dim 0-10v	10000151328
9.8 IN	○ White	-	1254	120-277V/60HZ	OPAL	Dali kelvin adjustable	10000153002
17.2 IN	○ White	-	2659	120-277V/60HZ	OPAL	Dali kelvin adjustable	10000153003
17.2 IN	● Black	LED 3000K 25W	2279	120-277V/60HZ	PRISMATIC	Dim 0-10v	10000154014
17.2 IN	● Black	LED 3500K 25W	2279	120-277V/60HZ	PRISMATIC	Dim 0-10v	10000154016
9.8 IN	● Black	LED 3000K 13W	1070	120-277V/60HZ	PRISMATIC	Dim 0-10v	10000154018
9.8 IN	● Black	LED 3500K 13W	1114	120-277V/60HZ	PRISMATIC	Dim 0-10v	10000154020
17.2 IN	● Dark aluminium raw	LED 3000K 25W	2279	120-277V/60HZ	PRISMATIC	Dim 0-10v	10000154021
17.2 IN	○ White	LED 3000K 25W	2353	120-277V/60HZ	PRISMATIC	Dim 0-10v	10000154023
17.2 IN	● Dark aluminium raw	LED 3500K 25W	2279	120-277V/60HZ	PRISMATIC	Dim 0-10v	10000154024
17.2 IN	○ White	LED 3500K 25W	2353	120-277V/60HZ	PRISMATIC	Dim 0-10v	10000154026
17.2 IN	● Black	-	2279	120-277V/60HZ	PRISMATIC	Dali kelvin adjustable	10000154031
17.2 IN	● Dark aluminium raw	-	2279	120-277V/60HZ	PRISMATIC	Dali kelvin adjustable	10000154032
17.2 IN	○ White	-	2353	120-277V/60HZ	PRISMATIC	Dali kelvin adjustable	10000154034
9.8 IN	● Dark aluminium raw	LED 3000K 13W	1070	120-277V/60HZ	PRISMATIC	Dim 0-10v	10000154035
9.8 IN	○ White	LED 3000K 13W	1149	120-277V/60HZ	PRISMATIC	Dim 0-10v	10000154037
9.8 IN	● Dark aluminium raw	LED 3500K 13W	1114	120-277V/60HZ	PRISMATIC	Dim 0-10v	10000154038
9.8 IN	○ White	LED 3500K 13W	1149	120-277V/60HZ	PRISMATIC	Dim 0-10v	10000154040
9.8 IN	● Black	-	1070	120-277V/60HZ	PRISMATIC	Dali kelvin adjustable	10000154045
9.8 IN	● Dark aluminium raw	-	1070	120-277V/60HZ	PRISMATIC	Dali kelvin adjustable	10000154046
9.8 IN	○ White	-	1149	120-277V/60HZ	PRISMATIC	Dali kelvin adjustable	10000154048