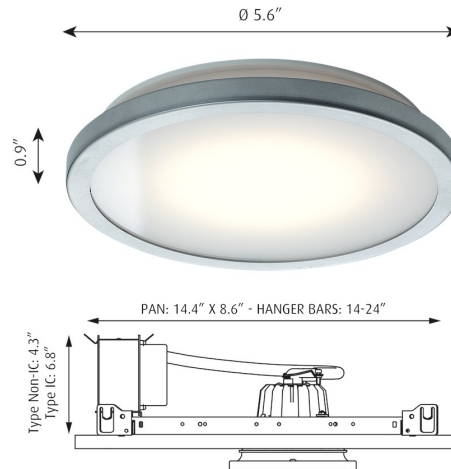


MUNKEGAARD MINI

Designed by Arne Jacobsen



Description

The fixture emits diffused and comfortable light, directed downwards. The white opal disc provides an even illumination of the surface. The disc appears to hover below the ceiling due to its suspended placement and the diffused light that passes through the opal polycarbonate upper section. This results in a different visual experience.

Variants

VARIANT NUMBER	COLOR, RAL	W / H / L (IN) / W (LB)
10000131071	SATIN CHR PLA, 905	5.6 / 0.9 / 5.6 IN / 3.8 LB
10000131072	SATIN CHR PLA, 905	5.6 / 0.9 / 5.6 IN / 3.8 LB
10000136957	SATIN CHR PLA, 905	5.6 / 0.9 / 5.6 IN / 7.2 LB
10000136958	SATIN CHR PLA, 905	5.6 / 0.9 / 5.6 IN / 7.2 LB

Materials & Finishes

MATERIALS

Diffuser: White opal acrylic. Trim ring: Stainless steel. Housing: Die cast aluminum.

FINISHES

Satin chrome plated. White opal acrylic.

louis poulsen

Mounting

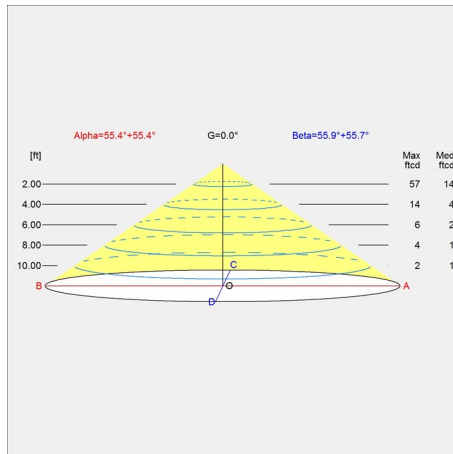
Semi-recessed: Mounting frame with two extendable hanger bars to be installed prior to closing the ceiling. Ceiling types: Type non-IC or Type IC, accessible and non-accessible ceilings. Ceiling cutout: 4.1" diameter. For mounting instructions, see download section on the product detail page.

Information

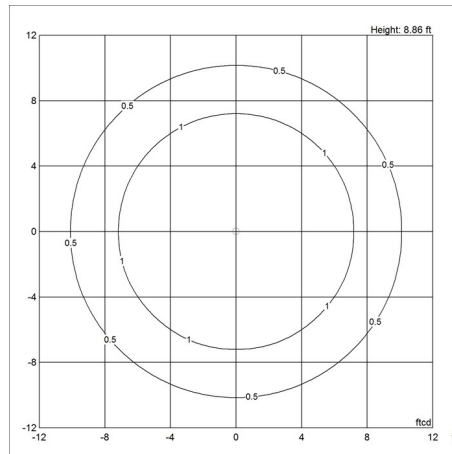
Electrical:
 System Wattage: 14W or 19W
 LED Wattage: 13 W or 18 W
 Delivered lumens: 508- 684
 Efficacy: 36 lm/W - 36 lm/W
 Certifications:
 cULus, Damp Location
 Protection class IP20
 Controllability: 0-10V Dimming
 Color Rendering: Ra≥90 For the E-socket product variants, bulbs are not included. LED light source is part of the product.

Light distribution diagrams

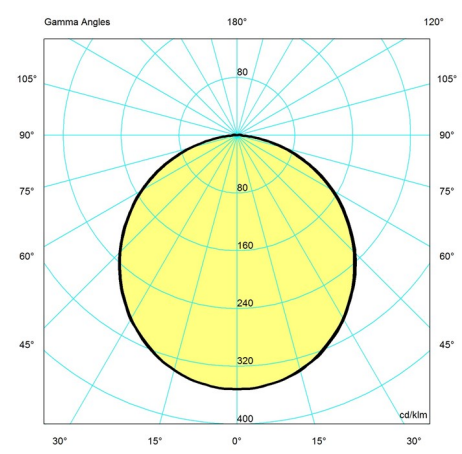
CARTESIAN



ISOLUX



POLAR



Variant Options

For particular variant options, please check our online Product Variants Configurator on the product detail page.

VARIANT NO.	LIGHT SOURCE	VOLTAGE/FRQ	LUMEN	FEATURES	CABLE
10000131071	LED 3000K 19W	120-277V/60HZ	654	Dim 0-10v	-
10000131072	LED 3500K 19W	120-277V/60HZ	684	Dim 0-10v	-
10000136957	LED 3000K 14W	120-277V/60HZ	508	Dim 0-10v	-
10000136958	LED 3500K 14W	120-277V/60HZ	531	Dim 0-10v	-

Specification
Notes

- a. Type IC variants available only in 14W.
 - b. Type Non-IC variants available only in 19W.
-