

PANTHELLA 400 TABLE LAMP

Designed by Verner Panton



Description

The fixture emits a glare-free, soft and comfortable illumination. The opal acrylic shade leaves a diffused comfortable light atmosphere due to the translucent shade, the downward reflection from the inner shade and the reflection from the trumpet stem.

Variants

VARIANT NUMBER	COLOR, RAL	W / H / L (IN) / W (LB)
5744916510	WHT OPAL ACRYL, 970	15.7 / 21.7 / 15.7 IN / 5.8 LB

Materials & Finishes

MATERIALS

Base: White, injection molded ABS. Shade: Injection molded white opal acrylic. Housing: White, injection molded ABS.

FINISHES

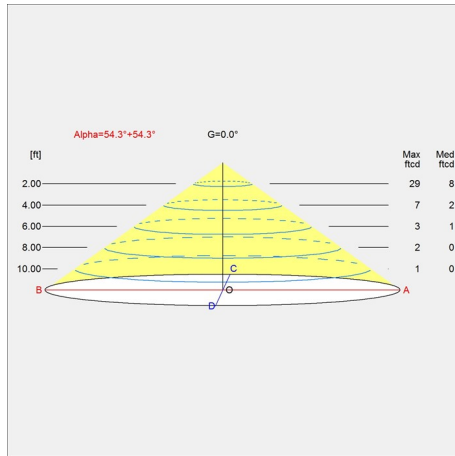
White, opal acrylic.

Mounting

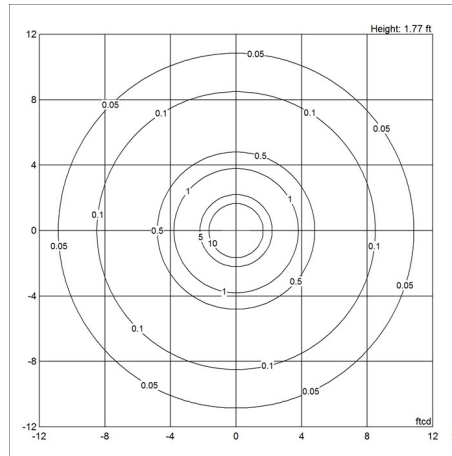
Cord type: White. Cord length: 13'. Switch: In-line on/off switch provided. For mounting instructions, see download section on the product detail page.

Light distribution diagrams

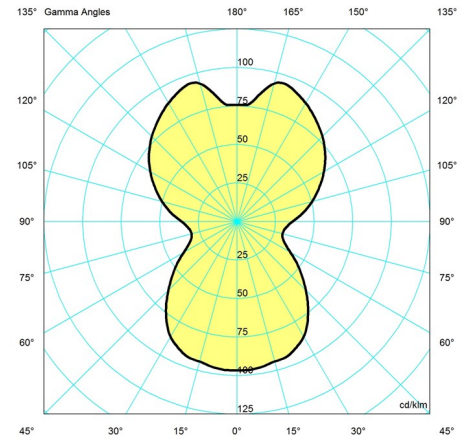
CARTESIAN



ISOLUX



POLAR



Variant Options

For particular variant options, please check our online Product Variants Configurator on the product detail page.

VARIANT NO.	LIGHT SOURCE	VOLTAGE/FREQ	LUMEN	FEATURES	CABLE
5744916510		120V	877	-	-