

PH SEPTIMA

Designed by Poul Henningsen



Description

The seven-shade glass crown emits a glare-free, downwardly directed light while radiating a pleasantly delicate glow. Frosted glass fields alternately cover the clear ones from shade-to-shade, thus diffusing the light even more softly.

Variants

VARIANT NUMBER	COLOR, RAL	W / H / L (IN) / W (LB)
5741934508	CLEAR AND MATT GLASS/BRASS	19.7 / 15.9 / 19.7 IN / 13.0 LB

Materials & Finishes

MATERIALS

Shades: Clear glass with sandblasted fields. Legs: Steel, metallized brass. Socket housing and canopy: Untreated satin-polished brass. Please note that the brass surface is untreated. The untreated brass will change over time and develop a patina.

FINISHES

Clear glass with sandblasted fields. Untreated satin-polished brass.

louis poulsen

Mounting

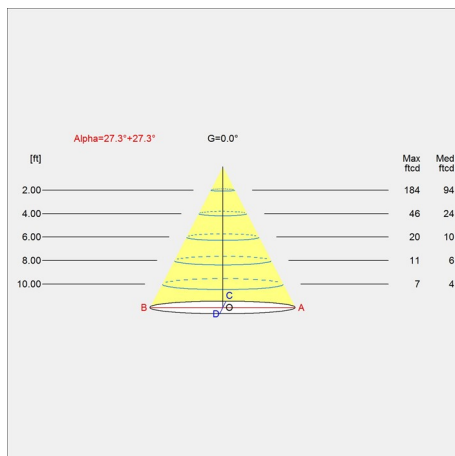
1x stainless steel aircraft cable. Canopy: Untreated brass. Cord type: 3-conductor, 18 AWG white braided fabric covered power cord. Cord length: 12'. For mounting instructions, see download section on the product detail page.

Information

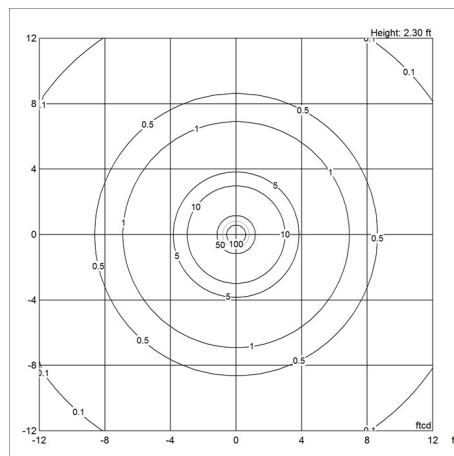
Electrical:
 System Wattage: 22W
 LED Wattage: 20 W
 Delivered lumens: 2,452
 Efficacy: 111 lm/W
 Certifications:
 cULus, Dry Location
 Protection class IP20
 Controllability: Phase dimming
 Actual performance dependent upon screw-base lamp used. For the E-socket product variants, bulbs are not included. LED light source is part of the product.

Light distribution diagrams

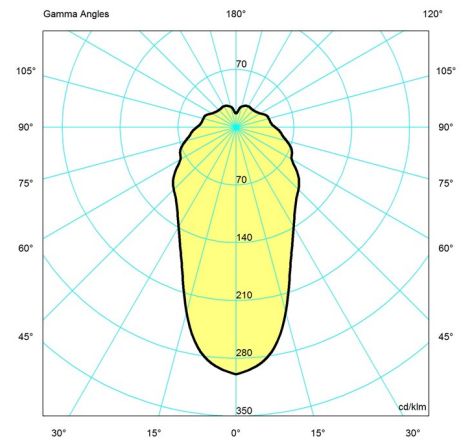
CARTESIAN



ISOLUX



POLAR



Variant Options

For particular variant options, please check our online Product Variants Configurator on the product detail page.

VARIANT NO.	LIGHT SOURCE	VOLTAGE/FRQ	LUMEN	FEATURES	CABLE
5741934508	1x22W E26		2022	-	White fabric cord