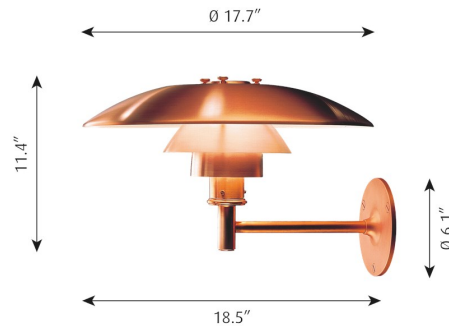


PH WALL

Designed by Poul Henningsen



Description

The fixture is designed based on the principle of a reflective three-shade system, which directs the light downwards. The shades have a matte white painted inside to ensure diffuse, comfortable light distribution.

Variants

VARIANT NUMBER	COLOR, RAL	W / H / L (IN) / W (LB)
5743909489	COP, 925	17.7 / 11.4 / 19.9 IN / 10.9 LB

Materials & Finishes

MATERIALS

Shades: Spun copper. Wall box: Spun copper. Arm: Copper.

FINISHES

Copper, brushed. Please note that the copper surface is untreated in order to achieve a verdigris finish over time. This can result in an inconsistent surface finish prior to the product achieving full patina. This process might have begun already during stocking/ transportation.

louis poulsen

Mounting

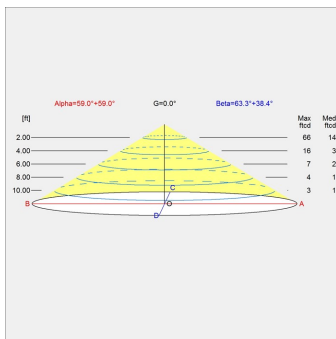
Surface: Mounted directly to finished surface over a recessed 4" octagonal junction box. Requires three bolts on 5.2IN circle. For mounting instructions, see download section on the product detail page.

Information

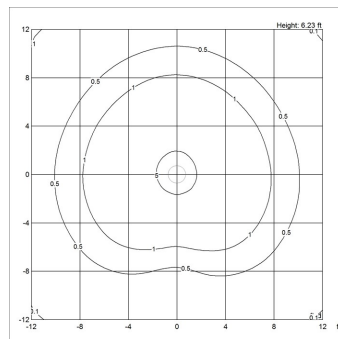
Electrical: System Wattage: 15 W Delivered lumens: 735 lm Efficacy: 49 lm/W Certifications: cULus, Wet Location Protection class IP23 BUG Rating: B0-U1-G0 Controllability: Phase dimming Min.-Max. Ambient Temp: -20°C to +40°C Actual performance dependent upon screw-base lamp used. For the E-socket product variants, bulbs are not included. LED light source is part of the product.

Light distribution diagrams

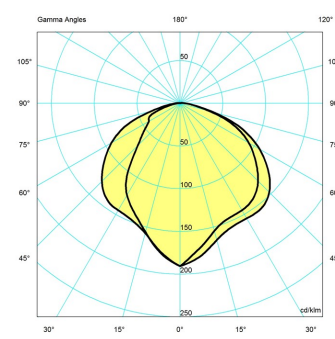
CARTESIAN



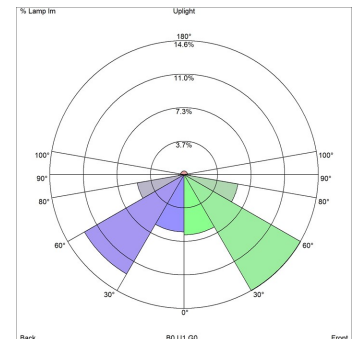
ISOLUX



POLAR



BUG



Variant Options

For particular variant options, please check our online Product Variants Configurator on the product detail page.

VARIANT NO.

5743909489

LIGHT SOURCE

1x15W E26

VOLTAGE/FRQ

120V

LUMEN

735

FEATURES

-

CABLE

-