

## TOLDBOD 6.1/8.7 GLASS PENDANT

Designed by Louis Poulsen A/S

---



---

### Description

The fixture emits glare-free light directed primarily downwards. The opal glass provides a comfortable and uniform illumination of the area around the fixture.

---

### Variants

VARIANT NUMBER	COLOR, RAL	W / H / L (IN) / W (LB)
10000124350	GLASS, 960	8.7 / 15.1 / 8.7 IN / 3.4 LB
6040000008	GLASS, 960	6.1 / 10.4 / 6.1 IN / 1.8 LB

---

### Materials & Finishes

#### MATERIALS

Suspension: Brushed stainless steel. Shade: Handblown white opal glass.

#### FINISHES

White opal glass.

---

### Mounting

Canopy: White. Cord type: 3-conductor, 18 AWG white PVC power cord. Cord length: 12'. For mounting instructions, see download section on the product detail page.

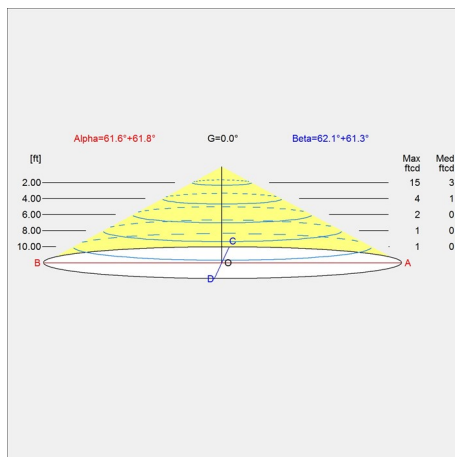
---

## Information

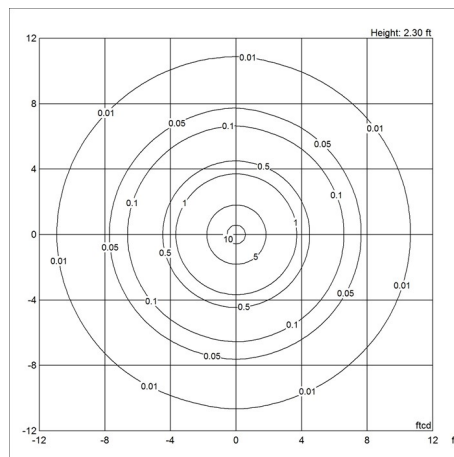
Electrical:  
 System Wattage: 5W or 22W  
 LED Wattage: 5 W or 20 W  
 Delivered lumens: 189 - 436  
 Efficacy: 37.8 lm/W - 19.8 lm/W  
 Certifications:  
 cULus, Dry Location  
 Protection class IP20  
 Controllability: Phase dimming  
 Actual performance dependent upon screw-base lamp used. For the E-socket product variants, bulbs are not included. LED light source is part of the product.

## Light distribution diagrams

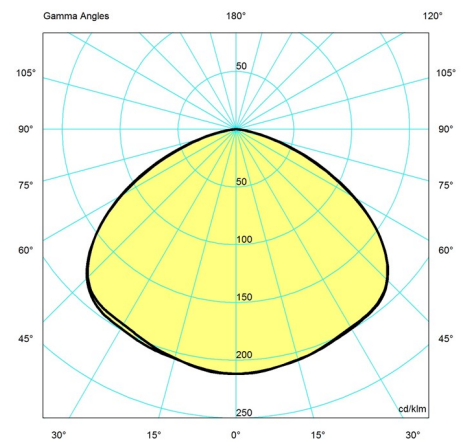
### CARTESIAN



### ISOLUX



### POLAR



## Variant Options

For particular variant options, please check our online Product Variants Configurator on the product detail page.

VARIANT NO.	LIGHT SOURCE	VOLTAGE/FRQ	LUMEN	FEATURES	CABLE
10000124350	1x22W A-21/medium	120V	193	-	-
6040000008	1x10W G16.5/IF Candelabra US	120V	193	-	-

## Specification Notes

- a. 6.1 IN available only in 1/10W/G16.5.
- b. 8.7 IN available only in 22W LED/A-21.