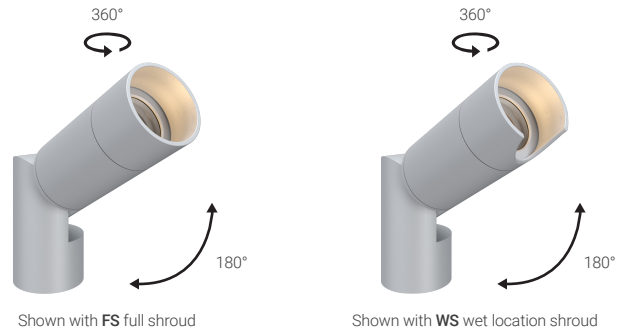


L930

EXTERIOR | INTERIOR

Spotlight | For surface mount on ground, ceilings & walls

• Wet, Damp, and Dry location



Ordering Information

Clear Form

Date : _____ Quantity : _____

Project : _____ Note : _____

Type : _____

Specifications

Luminaire | Example Code: L930-B2-PS-2-W30H-S-ELB-WS-S6 // L930-M1-2-W30H-S-ELB-WS-MA

Product	Canopy ¹	Mounting ² (optional for B2/B3)	Version	CCT & CRI ³	Beam Angle	Accessories (optional)	Shroud	Finish ⁴
L930								
	B1	PS pipe stake ⁵	1 1W	W22S 2200K 80+	S spot 12°	ELB eggcrate louver	FS full shroud	Aluminum Finishes: MA matte clear anodized BA black anodized BZ bronze powder coated Stainless Steel Finish: S6 stainless steel 316
	B2	MB mounting bracket	2 2W	W27H 2700K 90+	N narrow flood 30°		WS wet location shroud	
	B3			W30H 3000K 90+ W35H 3500K 90+ W41H 4100K 90+				

Product	Mounting	Version	CCT & CRI ³	Beam Angle	Accessories (optional)	Shroud	Finish ⁴
L930							
	M1 surface mount adapter ⁶	1 1W 2 2W	W22S 2200K 80+ W27H 2700K 90+ W30H 3000K 90+ W35H 3500K 90+ W41H 4100K 90+	S spot 12° N narrow flood 30°	ELB eggcrate louver	FS full shroud WS wet location shroud	Aluminum Finishes: MA matte clear anodized BA black anodized

System Components (Ordered Separately)

Remote Driver : _____ Control System : _____

On/Off | Dimming ELV or 0-10 dimming
Other options (consult factory) TRIAC/MLV, DMX, DALI, Casambi, PoE

Important Notes

Specification

- Refer to pg.3-5 - Mounting Options & Dimensions for details. B2 and B3 can be surface-mounted with mounting brackets and also work as a stake with Pipe Stake option.
- Mounting bracket is required for surface-mount with B2/B3 canopy.
- Refer to pg.2 - Electrical for Colour Consistency details.
- Refer to Appendix or MP Lighting website for complete look of luminaire with different finish options. S6 (stainless steel 316) is only available with B2 and B4 canopies.
- Pipe Stake's length is 12" (305mm).
- Surface mount adapter is a standalone mounting option and cannot be combined with any canopies. Available in MA (matte clear anodized) or BA (black anodized) finishes only.

Warranty Notes & Disclaimer

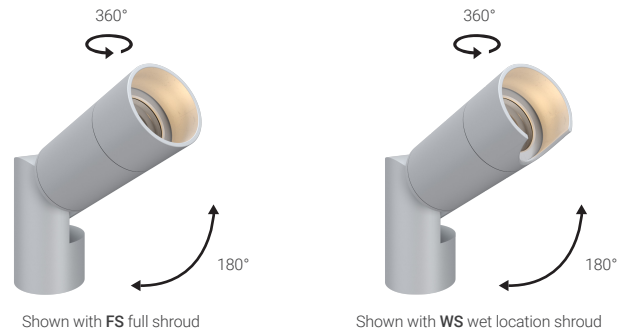
Malfunction and damage to product due to incompatible dimming system or misuse will not be covered under warranty. Consult MP Lighting for recommended drivers. If the fixture has an option to be installed with a dimming control system, consult a dimming system manufacturer with minimum load before installing. MP Lighting reserves the right, at its sole discretion, at any time and without notice, to make design changes to any of our products. Consult MP Lighting website for most updated documentation.

L930

EXTERIOR | INTERIOR

Spotlight | For surface mount on ground, ceilings & walls

- Wet, Damp, and Dry location



Performance

Wattage	Forward Current	Power Consumption Budget per fixture (including driver)	LED output (Source)	Fixture Output (Delivered)
1W	350mA	1.3W	110 lm	65-75 lm
2W	700mA	2.6W	220 lm	129-149 lm

Application

Environment	Wet / Damp / Dry Location approved. IP 66. Wet location shroud (WS) can be specified where proper drainage for water in shroud is required.
Mounting	B1: metal stake designed to be pushed into soil B2: compatible with Pipe Stake (ordered separately), 1-1/2" OD standard pipe (supplied by others), or mounts to surface with mounting brackets B3: compatible with Pipe Stake (ordered separately), 1-1/2" OD standard pipe (supplied by others), or mounts to surface with mounting brackets

Electrical

Power Supplies	Remote LED drivers (120-277V AC input, constant current output): Fixtures to be wired in series. Integral driver available with B3 canopy --- Consult factory.
Control	On/off control Dimming: ELV or 0-10V dimming with appropriate drivers Other options (consult factory): TRIAC/MLV, DMX, DALI, Casambi, Power over Ethernet

Luminaire Construction

LED Light Source	W22S = CCT: 2200K, CRI (Ra): 80+, Colour Consistency: 3SDCM W27H = CCT: 2700K, CRI (Ra): 90+, Colour Consistency: 2SDCM W30H = CCT: 3000K, CRI (Ra): 90+, Colour Consistency: 2SDCM W35H = CCT: 3500K, CRI (Ra): 90+, Colour Consistency: 3SDCM (Contact factory for 2SDCM option) W41H = CCT: 4100K, CRI (Ra): 90+, Colour Consistency: 3SDCM
Standard Compliance	✓ADA-compliant ✓WELL standard – Feature 58: Color Quality
Weight	N/A
Material	Fixture: machined marine-grade aluminum or stainless steel 316
Supplied with	N/A
Warranty & LED Life	5 years limited warranty Estimated useful life of LED is 50,000 hours.

Ordered Separately

System Components	Power supplies: remote driver Please consult factory or visit Recommended Drivers for available driver options.
-------------------	---

Mounting Options & Dimensions

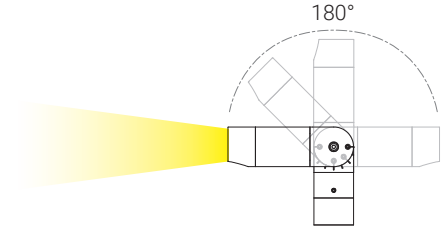
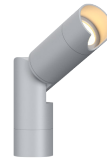
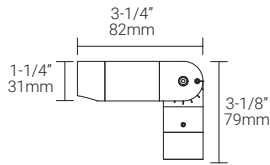
LED Fixture Dimensions

Fixture

Front View

3D View

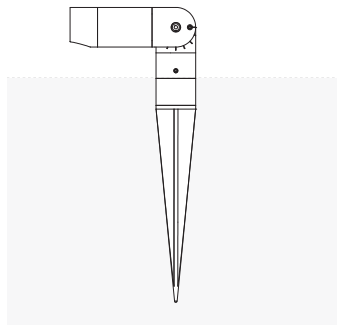
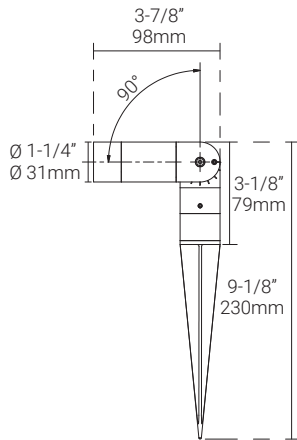
Beam



Ground Installation | shown with B1, metal stake

Fixture with B1 stake

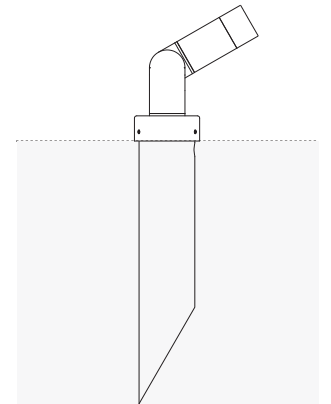
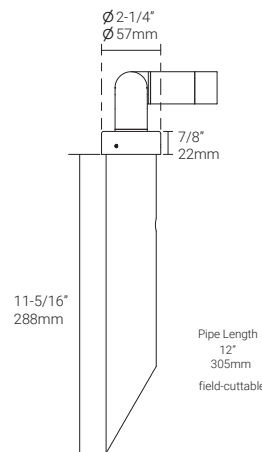
Ground Installation:
B1 stake pushed into soil



Ground Installation | shown with PS, pipe stake

Fixture with B2 stake

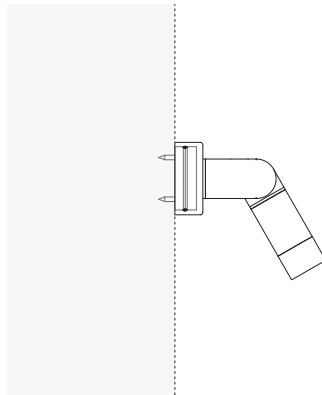
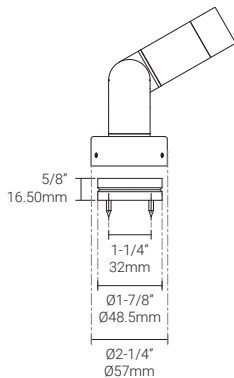
Ground Installation:
Pipe stake pushed into soil



Wall Installation | shown with B2 & MB (mounting brackets)

Fixture with B2 Canopy and
Mounting Brackets

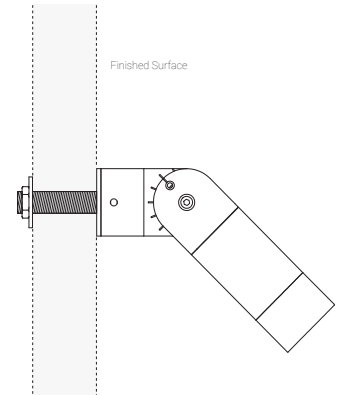
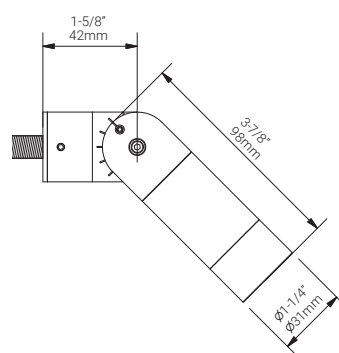
Wall Installation:
B2 screwed to wall with MB



Wall Installation | shown with M1 (surface mount adapter)

Fixture with Surface Mount
Adapter

Wall Installation:
Surface Mount Adapter



Mounting Options & Dimensions | Stake - for pushing into soil & gravel

B1 | Outdoor rated metal stake that can be pushed into gravel or soil

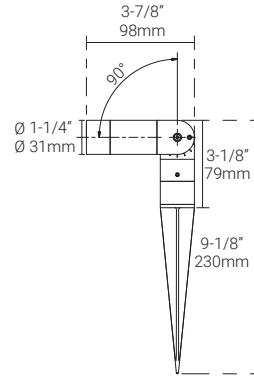
Stake



Fixture with stake



Dimensions



B2 with PS | Pipe stake that can be pushed deeper into gravel or soil for more stability

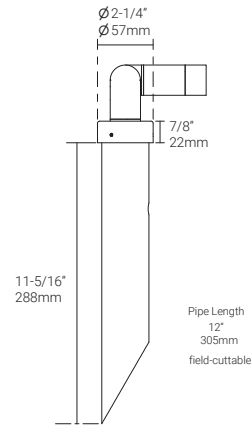
B2 with Pipe Stake



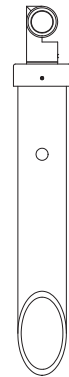
Fixture with canopy & pipe stake



Dimensions



Compatible with 1-1/2" OD standard pipe (supplied by others).



B3 with PS | Pipe stake that can be pushed deeper into gravel or soil for more stability

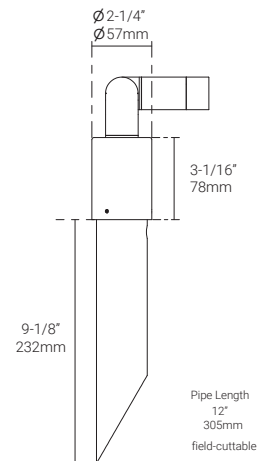
B3 with Pipe Stake



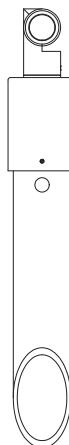
Fixture with canopy & pipe stake



Dimensions



Compatible with 1-1/2" OD standard pipe (supplied by others).



Mounting Options & Dimensions | Canopy - for surface mount application

B2 with MB | Mounting brackets that can be mounted on the surface material

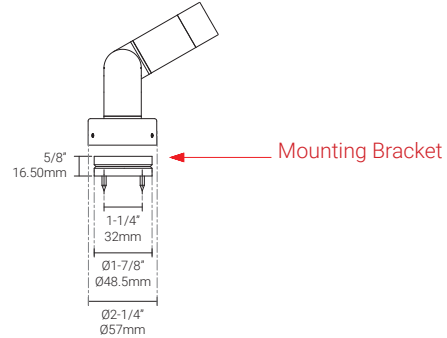
Canopy & Mounting Bracket



Fixture with Canopy



Dimensions



B3 | Compatible with Landscape/Electrical Pipes

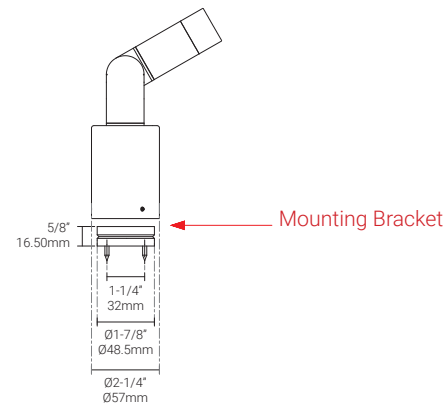
Canopy & Mounting Bracket



Fixture with Canopy

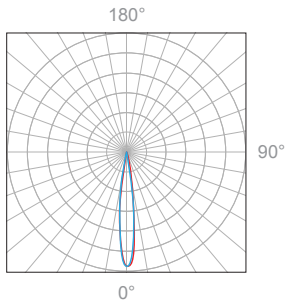


Dimensions



1W, 3000K, 90+ CRI,

Polar Candela Distribution



Beam Width: 12°

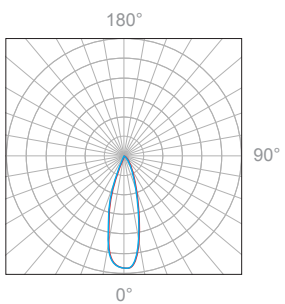


Illuminance at a Distance

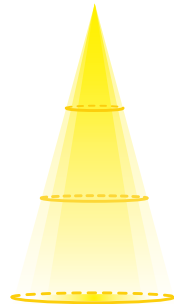
Distance		Center Beam fc	Beam Width			
3.0ft	0.91m	50.3fc	1.0ft	0.30m	1.0ft	0.30m
6.0ft	1.83m	12.6fc	2.1ft	0.64m	2.1ft	0.64m
9.0ft	2.74m	5.59fc	3.1ft	0.94m	3.1ft	0.94m
12.0ft	3.66m	3.14fc	4.1ft	1.25m	4.1ft	1.25m
15.0ft	4.57m	2.01fc	5.1ft	1.55m	5.1ft	1.55m
18.0ft	5.49m	1.40fc	6.2ft	1.89m	6.2ft	1.89m

Delivered Lumen: 65 lm
 ■ Vertical Beam Spread: 19.4°
 ■ Horizontal Beam Spread: 19.4°

Polar Candela Distribution



Beam Width: 30°



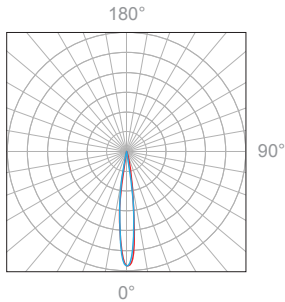
Illuminance at a Distance

Distance		Center Beam fc	Beam Width			
3.0ft	0.91m	35.1fc	1.5ft	0.46m	1.5ft	0.46m
6.0ft	1.83m	8.78fc	3.1ft	0.95m	3.1ft	0.95m
9.0ft	2.74m	3.90fc	4.6ft	1.40m	4.6ft	1.40m
12.0ft	3.66m	2.19fc	6.1ft	1.86m	6.1ft	1.86m
15.0ft	4.57m	1.40fc	7.6ft	2.31m	7.7ft	2.34m
18.0ft	5.49m	0.98fc	9.2ft	2.80m	9.2ft	2.80m

Delivered Lumen: 75 lm
 ■ Vertical Beam Spread: 28.5°
 ■ Horizontal Beam Spread: 28.7°

2W, 3000K, 90+ CRI

Polar Candela Distribution



Beam Width: 12°

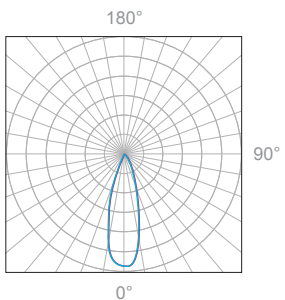


Illuminance at a Distance

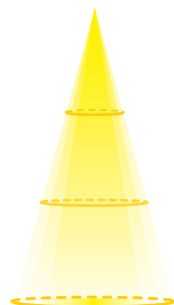
Distance		Center Beam fc	Beam Width			
3.0ft	0.91m	103fc	1.0ft	0.30m	1.0ft	0.30m
6.0ft	1.83m	25.9fc	2.0ft	0.61m	2.0ft	0.61m
9.0ft	2.74m	11.5fc	3.0ft	0.91m	3.0ft	0.91m
12.0ft	3.66m	6.47fc	4.0ft	1.22m	4.0ft	1.22m
15.0ft	4.57m	4.14fc	5.0ft	1.52m	5.0ft	1.52m
18.0ft	5.49m	2.87fc	6.0ft	1.83m	6.0ft	1.83m

Delivered Lumen: 129 lm
 ■ Vertical Beam Spread: 19.0°
 ■ Horizontal Beam Spread: 19.0°

Polar Candela Distribution



Beam Width: 30°



Illuminance at a Distance

Distance		Center Beam fc	Beam Width			
3.0ft	0.91m	69.5fc	1.5ft	0.46m	1.5ft	0.46m
6.0ft	1.83m	17.4fc	3.0ft	0.91m	3.0ft	0.91m
9.0ft	2.74m	7.73fc	4.5ft	1.37m	4.5ft	1.37m
12.0ft	3.66m	4.35fc	6.0ft	1.82m	6.0ft	1.82m
15.0ft	4.57m	2.78fc	7.6ft	2.31m	7.6ft	2.31m
18.0ft	5.49m	1.93fc	9.1ft	2.77m	9.1ft	2.77m

Delivered Lumen: 149 lm
 ■ Vertical Beam Spread: 28.3°
 ■ Horizontal Beam Spread: 28.3°

Appendix

Mounting & Finish Options

B1



MA matte clear anodized

B2



MA matte clear anodized



BA black anodized



BZ bronze powder coated



S6 stainless steel 316

B3



MA matte clear anodized



BA black anodized



BZ bronze powder coated

M1



MA matte clear anodized

Shroud Options

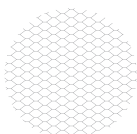


FS full shroud



WS wet location shroud

Accessories



ELB eggcrate louver, black



PS pipe stake, black



MB mounting bracket