

# L150

EXTERIOR | INTERIOR

Window Sill

- Wet, Damp, and Dry location



Shown with **no accessories**

## Ordering Information

Clear Form

Date : \_\_\_\_\_

Quantity : \_\_\_\_\_

Project : \_\_\_\_\_

Note : \_\_\_\_\_

Type : \_\_\_\_\_

## Specifications

Luminaire | Example Code: L150-2-W30H-E-S-BA

| Product | Version | CCT & CRI <sup>1</sup>   | Beam Angle            | Accessories <sup>2</sup><br>(optional) | Trim Finish       |
|---------|---------|--|-----------------------|--|-------------------|
| L150    | 2       |  | E                     |  | BA                |
|         | 2 2W    | W22S 2200K 80+<br>W27H 2700K 90+<br>W30H 3000K 90+<br>W35H 3500K 90+<br>W41H 4100K 90+ | E elliptical 10°+170° | S barn door shields                    | BA black anodized |

### System Components (Ordered Separately)

Remote Driver : \_\_\_\_\_

\* Consult MP Lighting Website or Factory.

### Important Notes

#### Specification

- Refer to pg.2 - Electrical for Colour Consistency details.
- Refer to Appendix or MP Lighting website for images and details.

#### Warranty Notes & Disclaimer

Malfunction and damage to product due to incompatible dimming system or misuse will not be covered under warranty. Consult MP Lighting for recommended drivers. If the fixture has an option to be installed with a dimming control system, consult a dimming system manufacturer with minimum load before installing. MP Lighting reserves the right, at its sole discretion, at any time and without notice, to make design changes to any of our products. Consult MP Lighting website for most updated documentation.

# L150

EXTERIOR | INTERIOR

Window Sill

- Wet, Damp, and Dry location



Shown with **no accessories**

## Performance

| Wattage | Forward Current | Power Consumption Budget per fixture (including driver) | LED output (Source) | Fixture Output (Delivered) |
|---------|-----------------|---|---------------------|----------------------------|
| 2W      | 700mA           | 2.6W  | 220 lm              | 125.9 lm                   |

## Application

|             |   |
|-------------|---|
| Environment | Dry / Damp / Wet Location approved. IP 66.  |
| Mounting    | Designed to be installed on the bottom or side of the window, fastened by two screws. Included 3'(914mm) wire lead. |

## Electrical

|            |   |
|------------|---|
| Electrical | Compatible with remote constant current DC driver, wiring in series.                      |
| Control    | On/off control or phase dimming or 0-10V dimming with appropriate remote dimmable driver. |

## Luminaire Construction

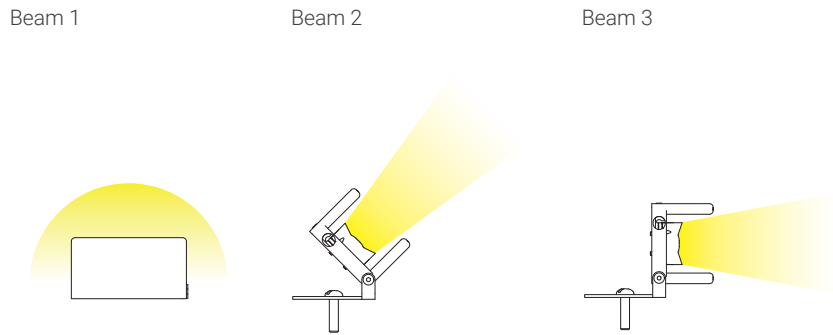
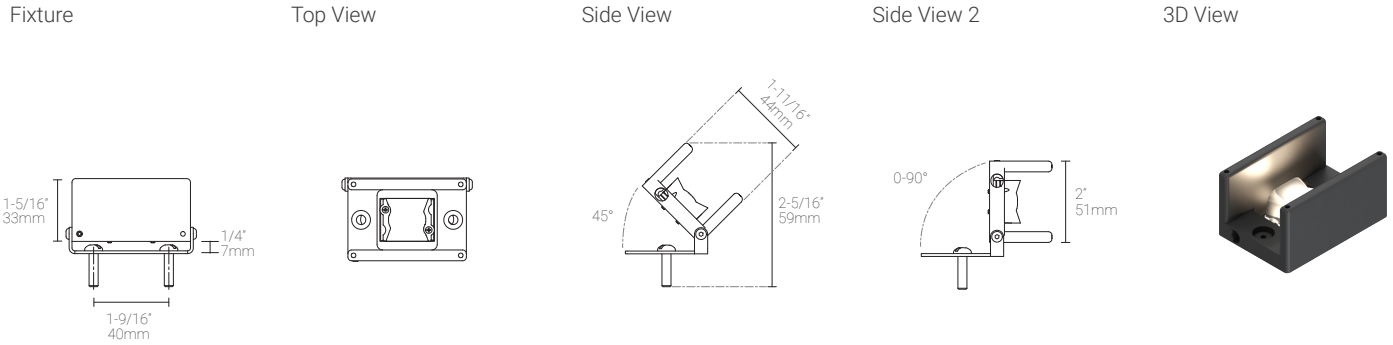
|                     |  |
|---------------------|--|
| LED Light Source    | <b>W22S</b> = CCT: 2200K, CRI (Ra): 80+, Colour Consistency: 3SDCM<br><b>W27H</b> = CCT: 2700K, CRI (Ra): 90+, Colour Consistency: 2SDCM<br><b>W30H</b> = CCT: 3000K, CRI (Ra): 90+, Colour Consistency: 2SDCM<br><b>W35H</b> = CCT: 3500K, CRI (Ra): 90+, Colour Consistency: 2SDCM<br><b>W41H</b> = CCT: 4100K, CRI (Ra): 90+, Colour Consistency: 3SDCM |
| Weight              | N/A  |
| Material            | <b>Fixture:</b> solid anodized aluminum  |
| Supplied with       | <b>Cable:</b> 3' (914mm) factory-installed wire lead   |
| Warranty & LED Life | 5 years limited warranty<br>Estimated useful life of LED is 50,000 hours.  |

## Ordered Separately

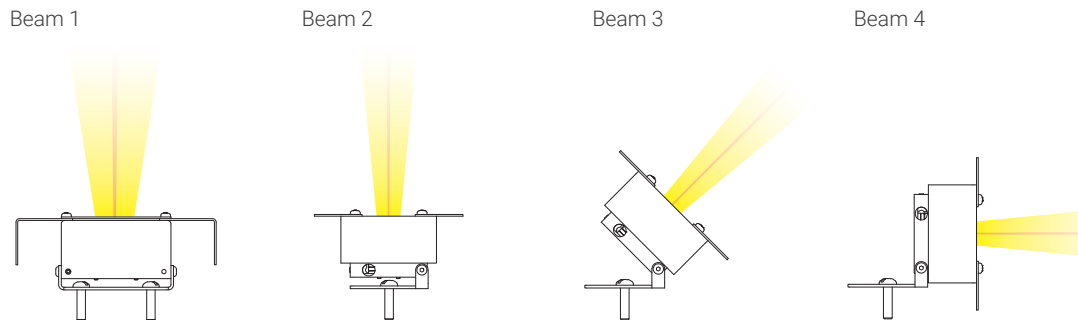
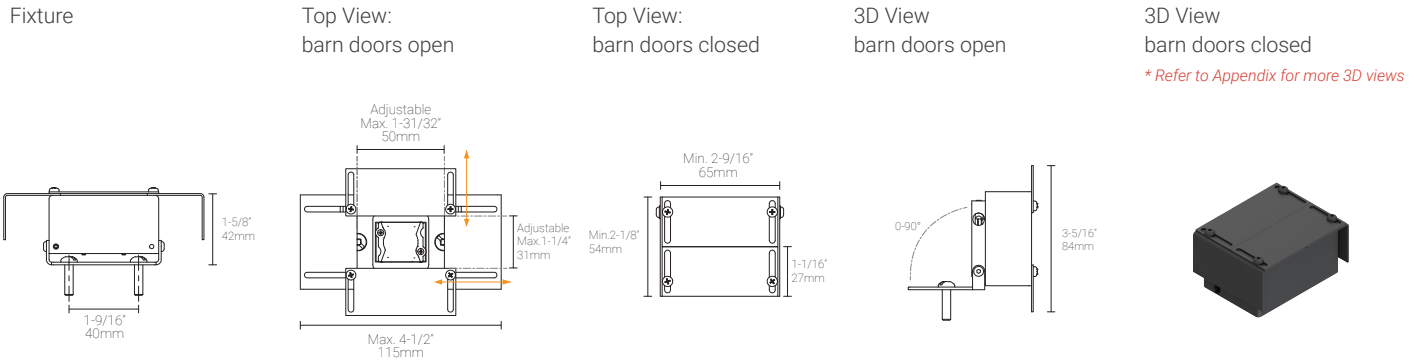
|                   |                                      |
|-------------------|--------------------------------------|
| System Components | <b>Power supplies:</b> remote driver |
|-------------------|--------------------------------------|

Mounting Options & Dimensions

Fixture Dimensions



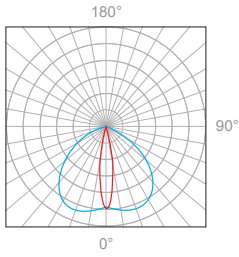
Fixture Dimensions with Barn Door Shields



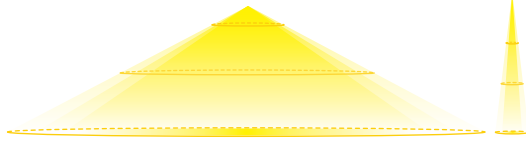
■ Minimum beam angle  
■ Maximum beam angle

2W, 3000K, 90+ CRI

**Polar Candela Distribution**



**Beam Width: 10° + 170°**



**Illuminance at a Distance**

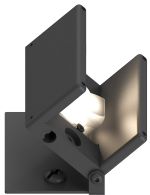
| Distance |       | Center Beam fc | Beam Width |       |       |       |
|----------|-------|----------------|------------|-------|-------|-------|
| 1.5ft    | 0.46m | 101fc          | 3.2ft      | 0.97m | 0.4ft | 0.12m |
| 3.0ft    | 0.91m | 25.2fc         | 6.4ft      | 1.95m | 0.8ft | 0.24m |
| 4.5ft    | 1.37m | 11.2fc         | 9.7ft      | 2.95m | 1.2ft | 0.36m |
| 6.0ft    | 1.83m | 6.30fc         | 12.9ft     | 3.93m | 1.5ft | 0.45m |
| 7.5ft    | 2.29m | 4.03fc         | 16.1ft     | 4.90m | 1.9ft | 0.58m |
| 9.0ft    | 2.74m | 2.80fc         | 19.3ft     | 5.88m | 2.3ft | 0.70m |

Delivered Lumen: 125.5 lm  
 ■ Vertical Beam Spread: 94.0°  
 ■ Horizontal Beam Spread: 14.7°

**Appendix**

**L150 with no accessories | 3D Views & Dimension Drawings**

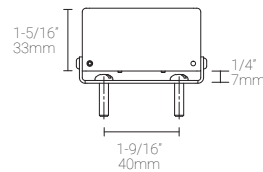
Tilted (45°)



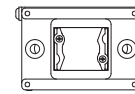
Tilted (90°)



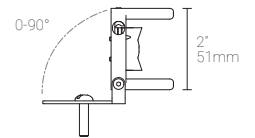
Side View 1



Top View

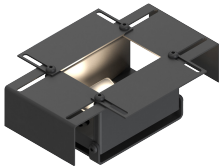


Side View 2



**L150 with Barn doors shields | 3D Views & Dimension Drawings**

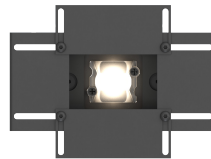
S barn doors shields (open) & no tilt (0°)



S barn doors shields (open) & tilted (45°)



Top View (open)



S barn doors shields (closed) & no tilt (0°)



S barn doors shields (closed) & tilted (45°)

