

# ATF1010

Line Voltage Track Fixture  
For PAR Lamps

Job Information		
Project Name		Type
Location		
Quantity		Date
Contact/Phone		
Notes		

## Features

### Fixture Body

Constructed of die cast painted aluminum to provide superior strength and rigidity. All edges are softened for aesthetic appearance.

### Rotational Positioning

Fixture provides horizontal rotation of 358°. Adjustable yoke provides vertical rotation of 90°, which adds to a versatile directional lighting and total control of light positioning.

### Socket

Porcelain socket for 120V AC medium based lamps.

### Lamps

- PAR20, 50W max.
- Short neck PAR30, 75W max.
- PAR38, 250W max.

### Dimming

Dimmable using a standard dimmer.

### Connector

Compatible with A-Line or J-style track. On/off switch provided on connector.

### Labels

cULus listed.

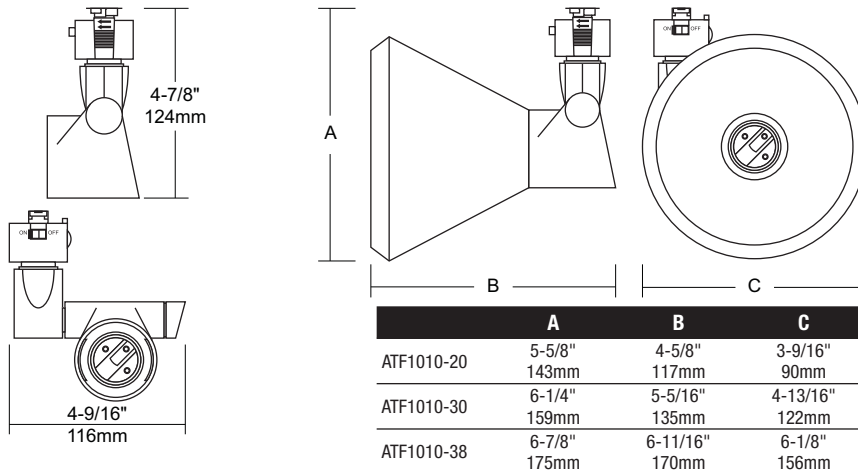


## Description

The ATF1010 is specially designed for display and task lighting. Available in a variety of shades to accommodate various PAR lamp sizes. The ATF1010 is ideal for indoor lighting applications such as display lighting, accent lighting, task lighting and wall wash applications.



**Notes:** Accessories should be ordered separately. For additional options please consult your Liteline representative. Due to our continued efforts to improve our products, product specifications are subject to change without notice.



## Ordering Guide

Reflector Size	Finish
ATF1010 - --	--
20 : for PAR20 30 : for PAR30 38 : for PAR38	BK : Black WH : White

Example: ATF1010-20-BK