

# OSL-LVRR

Round Horizontal Louver Faceplate  
Recessed Lighting

Job Information		
Project Name		Type
Location		
Quantity		Date
Contact/Phone		
Notes		

## Features

### Body Construction

Powder-coated or electroplated cast aluminum with louver center. Available in black, brushed nickel or flat white corrosion resistant paint.

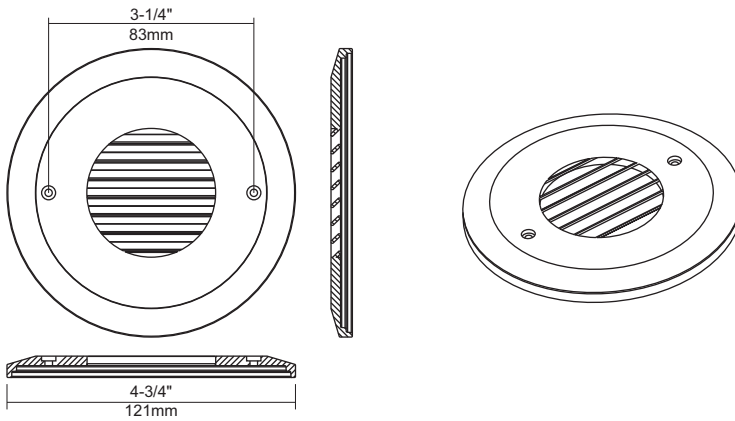
### Mounting

Mounts onto round outdoor LED step light (OSLRD30 – sold separately) with two colour matching screws (included).



## Description

This horizontal louver faceplate is used in conjunction with round outdoor LED step light. It directs all light downwards, casting a low, even spread of light, and adding a discreet lighting to decks.



**Notes:** Accessories should be ordered separately. For additional options please consult your Liteline representative. Due to our continued efforts to improve our products, product specifications are subject to change without notice.

## Ordering Guide



### OSL-LVRR-BK

Black horizontal louver faceplate for round outdoor LED step light.



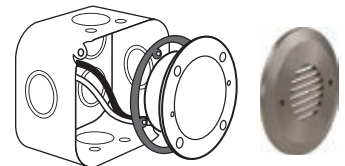
### OSL-LVRR-BN

Brushed nickel horizontal louver faceplate for round outdoor LED step light.



### OSL-LVRR-FWH

Flat white horizontal louver faceplate for round outdoor LED step light.



(LED fixture sold separately)