

# LED IN-WALL

Wall Graze Light, 62 Lumens, 1.2 Watt  
Cove, Under Cabinet & Millwork

| Job Information |  |      |
|-----------------|--|------|
| Project Name    |  | Type |
| Location        |  |      |
| Quantity        |  | Date |
| Contact/Phone   |  |      |
| Notes           |  |      |

## Features

### Body Construction

The body is constructed from machined aluminum which acts as a heat sink for the 1.2W LED. Fixture can be rotated 360° to a fixed position for directional wall grazing. Provided with toolless push in connector allows for daisy chain option, to be used with 18-2 AWG LVT cable (not provided). Suitable for indoor use only, dry and damp locations.

### Housing

The LED wall graze light is installed in an aluminum housing which allow for enclosed wiring and the fixture to be installed where insulation is present. Housing includes a strain relief to secure electrical cables and two torsion clips for enhanced rigidity to recessed surface.

### Power Consumption

This fixture operate on 24V constant voltage. Remote power supply required (See back for driver options).

### Voltage Drop

Contact your Liteline representative for voltage drop calculation guidelines.

### Light Output

This recessed light outputs a warm white (3000 K) colour temperature which provides 62 lumens.

### Beam Spread

The fixture LED provides lighting with 120 degree beam spread.

### Dimming

100%-5% dimming with compatible electronic and magnetic dimming drivers.

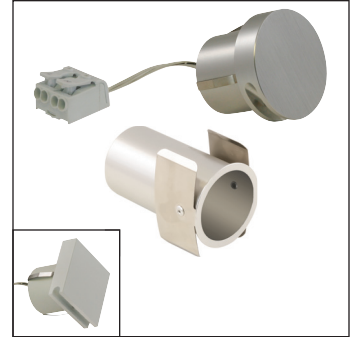
### Installation

When installing WLFLR-1W in an insulated wall a vapour barrier (WL-VBE sold separately) and a pre-mounting plate (P-1750 sold separately) are required.

### Applications

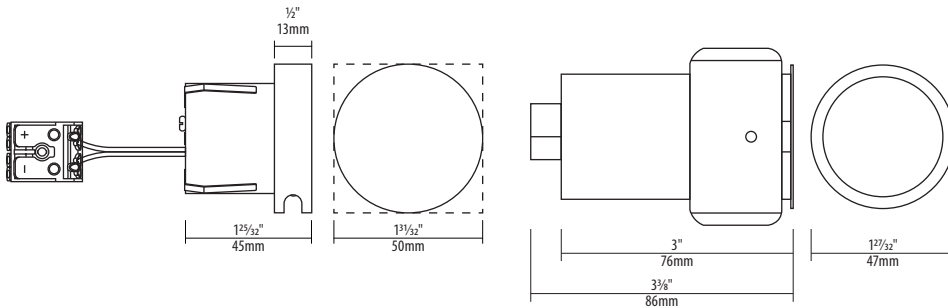
With the added directional control, this allows for multiple corridor/hallway sidewall recess lighting, in addition adding essential accent illumination for under cabinet, display and wall washing environments.

| SPECIFICATION      |                  |
|--------------------|------------------|
| Approved Location  | Damp             |
| Beam Angle         | 120°             |
| CCT                | 3000 K           |
| Certification      | cETLus           |
| CRI                | 90+              |
| Cut-hole           | 1 3/4" (44mm)    |
| Dimming            | Yes              |
| Insulation Contact | Yes              |
| Lumen              | 62               |
| Lumens per Watt    | 51               |
| Material           | Aluminum         |
| Max. Temp.         | 40°C             |
| Min. Start Temp.   | -20°C            |
| Power Supply Type  | Constant Voltage |
| Primary Voltage    | 24               |
| Projected Life     | 35,000 hrs       |
| Warranty           | 3 Years          |
| Watt               | 1.2W             |

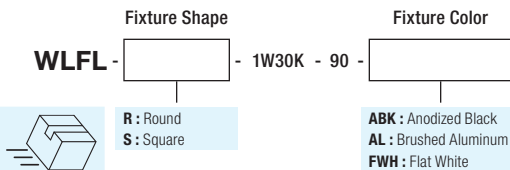


## Description

This 1.2W LED wall graze light provides quality illumination for ambient accent lighting in hallways, corridors, stairs or entrances. Powered by a 24V constant voltage power supply (sold separately). Fixture is IC rated, suitable for indoor use only.



## Ordering Guide



Highlighted option denotes QuickShip.

## Accessories



**WL-VBE**  
LED Wall Light Vapour Barrier.



**P-1750**  
1 3/4" LED Wall Light Pre-mounting Plate.



**LC-CRTL-DIM-1**  
OnCloud Smart Control with Dimmer, 2.4GHz.



**LC-CRTL-3WAY-1**  
OnCloud Smart 3-Way Switch, 2.4GHz.

**Notes:** Accessories are sold separately. For additional options please consult your Liteline representative.

QuickShip option is available on orders of 100 pieces or less, and will ship within 2 business days. Options must be selected from QuickShip section to qualify.

Due to our continued efforts to improve our products, product specifications are subject to change without notice.

## Compatible Drivers

### OnCloud

#### OnCloud Driver Kit



**OC-HWB-60WSTEP-1C**  
100-240VAC, 60W, 1-Channel 24VDC  
OnCloud driver kit, powers and controls wireless dimming and on/off capability through WiZ app, Room Controller and smart speakers.

#### OnCloud Adapter



**LC-DVR-CV96W1STEP-1C**  
24V, 1-Channel OnCloud adapter, controls dimming and on/off capability through WiZ app, Room Controller and smart speakers.

#### Power feed required



#### LED-HWB-DC21-6-PF

DC 2.1 to bare leads power feed.  
Maximum 10' to first fixture.  
\* Power feed required for all drivers with DC 2.1 jack.

### Non Dimming Class II

#### Hardwire Drivers



**LED-HWB-24V-24W**  
LED 24V, 24W Hardwire Box LED Driver with DC 2.1 jack.

**LED-HWB-24V-36W**  
LED 24V, 36W Hard wire Box LED Driver with DC 2.1 jack.

**LED-HWB-24V-60W**  
LED 24V, 60W Hard wire Box LED Driver with DC 2.1 jack.

#### Power feed required



#### LED-HWB-DC21-6-PF

DC 2.1 to bare leads power feed.  
Maximum 10' to first fixture.  
\* Power feed required for all drivers with DC 2.1 jack.

### Dimming Class II

#### Electronic Hardwire Drivers – DC 2.1 – Powered by Lutron®



**LED-HWB-DIM2-24-40**  
40W LED dimmable hardwire driver with DC 2.1 jack. 2-wire, 24V, powered by Lutron® Hi-Lume® 1% 2-wire 120V LED driver.



**LED-HWB-DIM3-24-40**  
40W LED dimmable hardwire driver with DC 2.1 jack. 3-wire, 24V, powered by Lutron® Hi-Lume® 1% Ecosystem/3-wire LED driver.

#### Power feed required



#### LED-HWB-DC21-6-PF

DC 2.1 to bare leads power feed.  
Maximum 10' to first fixture.  
\* Power feed required for all drivers with DC 2.1 jack.

#### Electronic Hardwire Drivers – Hardwire



**HWB-DIM-EDC-24V-25W**  
25W dimmable electronic hardwire driver, 24V.



**HWB-DIM-EDC-24V-96W**  
96W dimmable electronic hardwire driver, 24V.



**HWB-DIM-EDC-24V-50W**  
50W dimmable electronic hardwire driver, 24V.

#### Wiring Diagram

