

SO2012

SORA Line Voltage Track Fixture Track Systems

Job Information		
Project Name		Type
Location		
Quantity		Date
Contact/Phone		
Notes		

Features

Body

Constructed of die cast aluminum which provides superior strength and rigidity. Softened edges adds up to the low profile aesthetic design.

with Juno®, Halo®, Lightolier® and most brands configured to Halo® track system design.

Labels

- cULus listed.

Lamping

Porcelain socket for 120V MR16 GU10 lamps, 50 watts max.

Adjustability

Lamp housing is controlled with an adjustable yoke that would provide custom aiming; 330° horizontal rotation and 160° vertical rotation.

Dimming

The track fixture is dimmable when used with electronic line voltage rated dimming controls only. 120V / 60Hz input; 120V output; 50W maximum load.

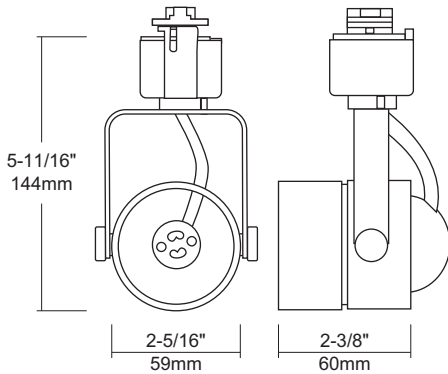
Compatibility

Liteline track fixtures are compatible



Description

Cylindrical shape and clean traditional look, the SORA is a die cast directional spotlight that is ideal to brighten any home and add charm to any space.



Connector Compatibility Chart



Notes: Accessories should be ordered separately. For additional options please consult your Liteline representative. Juno is a registered trademark of Juno Lighting Group. Halo is a registered trademark of Cooper Lighting. Lightolier is a registered trademark of Philips. Due to our continued efforts to improve our products, product specifications are subject to change without notice.

Ordering Guide



SO2012-BK-120V-MR
SORA black track fixture, 120V.



SO2012-BN-120V-MR
SORA brushed nickel track fixture, 120V.



SO2012-WH-120V-MR
SORA white track fixture, 120V.

