



# UNI1190

UNIVERSAL Line Voltage Track Fixture for PAR Lamps  
Track Systems

Job Information		
Project Name		Type
Location		
Quantity		Date
Contact/Phone		
Notes		

## Features

### Body

Constructed of die cast aluminum which provides superior strength and rigidity. Softened edges adds up to the low profile aesthetic design.

### Compatibility

Liteline track fixtures are compatible with Juno®, Halo®, Lightolier® and most brands configured to Halo® track system design.

### Lamping

Porcelain socket for 120V PAR lamps, 150 watts max. A high temperature glass shield is included, mounted to front of lamp fixture.

### Labels

- cULus listed.

### Adjustability

Fixture provides vertical rotation of 180° and horizontal rotation of 358°; providing a wide range of light source aiming possibilities.

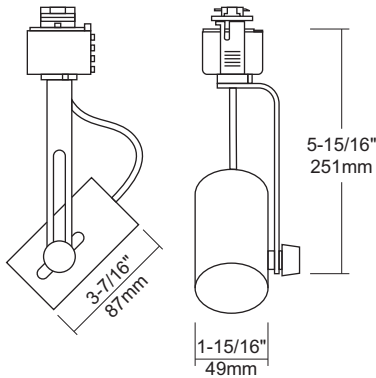
### Dimming

The track fixture is dimmable when used with electronic line voltage rated dimming controls only. 120V / 60Hz input; 120V output; 150W maximum load.



## Description

The UNIVERSAL is a line voltage aluminum cylinder fixture for PAR light source. UNIVERSAL is a front loading track fixture which provides directional light source for special aiming and assures secure lock on angle position.



### Connector Compatibility Chart



**Notes:** Accessories should be ordered separately. For additional options please consult your Liteline representative. Juno is a registered trademark of Juno Lighting Group. Halo is a registered trademark of Cooper Lighting. Lightolier is a registered trademark of Philips. Due to our continued efforts to improve our products, product specifications are subject to change without notice.

## Ordering Guide



**UNI1190-BK**  
UNIVERSAL black track fixture, 120V.



**UNI1190-BN**  
UNIVERSAL brushed nickel track fixture, 120V.



**UNI1190-WH**  
UNIVERSAL white track fixture, 120V.

