

VA6510

Vega 10W LED Track Fixture
Track Lighting



Job Information	
Project Name	
Type	
Location	
Quantity	
Date	

Description

The VA6510 is a 10W high powered LED track fixture specially designed for task and accent lighting. Available in black, brushed nickel and white finishes.

Features

Body

Constructed of aluminum, the body features an aesthetically pleasing smooth cylindrical shape. The body includes a colour matching aluminum heat sink in order to provide maximum heat dissipation.

Beam Spread

The fixture is available in 25° beam angle.

Dimming

The track fixture is dimmable when used with TRIAC dimming controls (Consult factory for compatible dimmers).

Adjustability

Adjustable up to 90° tilt and 330° rotation to allow for spotlight into multiple directions.

LED Characteristics

High powered 10W Bridgelux® V8 LED array maintains uniform intensity with a typical luminous flux up to 680 lumens; with a typical CRI of 80+ and a 50,000 hour life span. Available in 3000 K correlated color temperature.

LED Driver

250mA constant current LED driver, featuring a power factor of 0.95. 120V, 50/60Hz.

Compatibility

Fixture is provided with a Liteline connector, compatible with Liteline style track. For other connector configurations (Juno, Halo, Lightolier, Capri, etc), please contact your Liteline representative.

QuickShip In-Stock

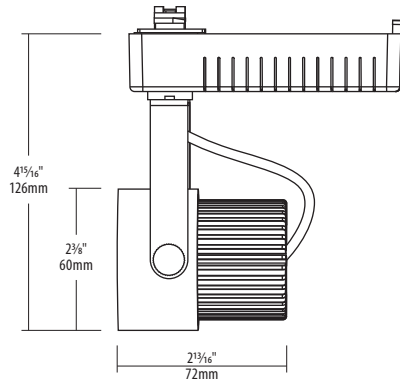
In-Stock products ship within two business days of an order being released.*



SPECIFICATION

Application	Track
Approved Location	Dry
Beam Angle	25°
CCT	3000 K
Certification	cETLus
Colour	BK / BN / WH
CRI	80+
Dimming	Yes
Dimming Tech	TRIAC
Lumen Maintenance	70% @ 50,000 Hrs
Lumens	680
Lumens per Watt	68
Max. Op. Temp.	40°C
Min. Start Temp.	-10°C
Power Factor	0.95
Primary Voltage	120V AC
Rotation	330°
Tilt	90°
Warranty	5 Years
Wattage	10W

Technical Drawings



Ordering Guide

Connector Type



Blank : Liteline
A : A-Line
H : Halo

Finish Color



BK : Black
BN : Brushed Nickel
WH : White

- VA6510 -



Highlighted option denotes QuickShip.

* QuickShip option is available on orders of 100 pieces or less. QuickShip lead time may vary for orders greater than 100 pieces. No additional shipment rates apply. Subject to availability.

Notes: Accessories should be ordered separately. For additional options please consult your Liteline representative. Halo is a registered trademark of Cooper Lighting. Due to our continued efforts to improve our products, product specifications are subject to change without notice.

Photometry

VA6510 : 10W, LED Track, 3000 K, 25° Beam Angle

Zonal Lumen Summary

Zone	Lumens	% Luminaire
0-30	537.8	78.8%
0-40	601.9	88.2%
0-60	651.0	95.4%
60-90	11.7	1.7%
70-100	9.8	1.4%
90-120	8.5	1.2%
0-90	662.8	97.1%
90-180	19.5	2.9%
0-180	682.2	100%

