

Linear

MoMo-R A040 (40W) Fixture Guide

KKDÖ

Indoor/Outdoor | Surface | Max output up to 3960lm/m (1207lm/ft)

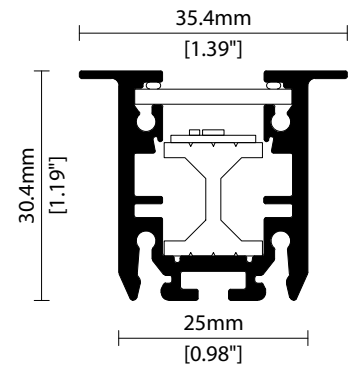


Key applications

- ✓ Bathrooms
- ✓ Interior/Exterior
- ✓ Ceiling
- ✓ Wall grazing
- ✓ Downlighting

Key features

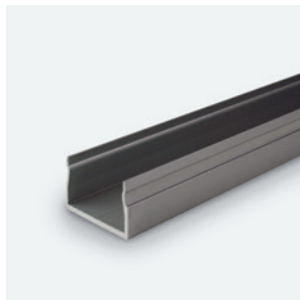
- ✓ Custom lengths
- ✓ High lumen efficacy
- ✓ Diffusion: Homogenous
- ✓ IP54
- ✓ Direct view
- ✓ IP67
- ✓ Extensive CCT range
- ✓ Output max
- ✓ Form factor: Medium



MOUNTING METHODS



KKS01 Spring bracket



KKCR-01-1000 Cable raceway (1000mm)
KKCR-01-2000 Cable raceway (2000mm)
KKCR-01-3000 Cable raceway (3000mm)

Linear

MoMo-R A040 (40W)

Specification sheet



Dimension	H30.35/W35.4/L102-1525mm* (H1.19/W1.39/L4.01-60.03in*) *Nano Louvre = 1025mm/40.35in Max
PCB increment	38.46mm increment/1500mm max (1.51in increment/59.06in max) *Nano Louvre = 1000mm/39.37in Max
LED pitch	4.8mm - 208LED/m (0.19in - 64LED/ft)
Chip	A-line
Beam angle	100° (Clear Cover)/95° (Diffused Cover)/35° (Nano Louvre)
Colours	A-line 2700K/3000K/4000K
Bin/Step	A-line 3-step MacAdam ellipse
CRI	94
Lifetime	50,000 hours @ 25°C (50,000 hours @ 77°F)°
Operating temp	T _a = -25 to 50°C (T _c max = 83.1°C) T _a = -13 to 122°F (T _c max = 182°F)
IP rating	IP54/IP67
Finish	Silver anodised
Cover/lens	Clear/Diffused/Diffused + Micro Louvre/Diffused + Nano Louvre
Mounting	Recessed mounting via spring clip / Cable race way
Power feed	Sheathed hardwire tails or male/female connectors
Control	0-10V/1-10V/DMX/DALI



LED Grading Key

Exclusive Grade *KKDC tuned CCT range

A-line* 3-step CCT range

KKDC highest lumen efficacy LED

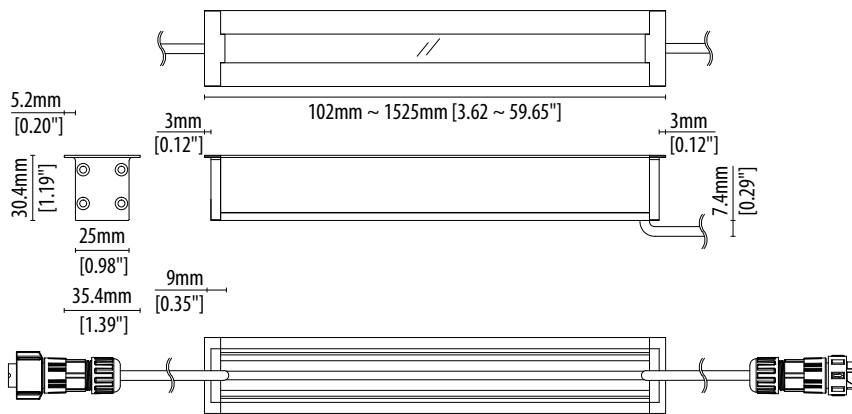
PERFORMANCE DATA @ 3000K

Power Consumption	Supply voltage	Supply current
40W/m (12.19W/ft)	24V DC	1.67A/m (0.51A/ft)

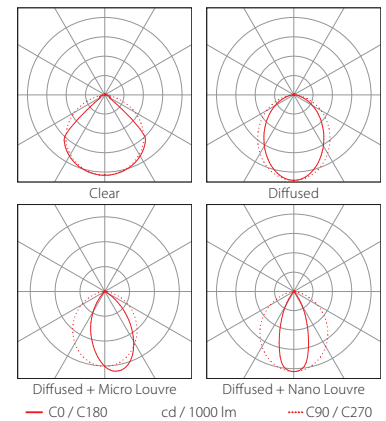
Colour Rendering Index (CRI)

A-line	R1	R2	R3	R4	R5	R6	R7	R8	R9	R10	R11	R12	R13	R14
	95	96	95	94	94	94	95	88	72	89	94	77	95	96

	Clear	Diffused	Diffused + Micro Louvre	Diffused + Nano Louvre	CRI	R9	Rf	Rg
A-line	3960lm/m (1207lm/ft) 99lm/W	1440lm/m (439lm/ft) 36lm/W	640lm/m (195lm/ft) 16lm/W	480lm/m (146lm/ft) 12lm/W	94	72	-	-



Cut-out Slot:
W28-30mm (1.1-1.18")
L = Product length minus 4-5mm (0.15-0.19")



Data derived from independent UKAS/IESNA LM-79-08 accredited testing of production samples.

MoMo-R A040 (40W)

Code Table



FIXTURE

Model	Finish	Cover/Lens ¹	Grade ²	LED	Colour (CCT)	Length Availability ³	IP	Cable Length	Power Feed ⁴	Input		
MoMo-R	OR Silver Anodised	SA Clear	B	A- A	040	m 102-1525mm 38.46mm increments	IP54 54 IP67 ⁵ 67	300mm/ 11.81"	0300	Single ø4.3mm sheath tail S00A	DC 24V g	
			C									2700K 27
			W									3000K 30
			CN									4000K 40
					i 4.01-60.03in 1.51in increments				Double ø4.3mm sheath tail D00A			
						(Specify length code OR total run length)				Single ø4.3mm sheath IP67 connector ⁷ S67A		
										Double ø4.3mm sheath IP67 connector ⁷ D67A		

¹ Refer to **Cover/Lens Options** on **Options** pages ² Refer to **LED Grading Key** on **Specification sheet** page ³ Refer to **Length Availability List** or enter total run length instead of length code

⁴ Refer to **Power Feed Options** on **Options** pages ⁵ Max length available with Nano Louvre is 1020mm

⁶ Due to the clear, flush potted polyurethane top layer on IP67 MoMo-L a colour shift of +/- 20K should be expected

⁷ IP67 connectors are used for both IP67 and IP54 product housings

Code Example:

MO	-	SA	-	C	-	A	-	040	-	30	-	m	525	-	67	-	0300	-	D67A	-	g
MoMo-L		Silver Anodised		Diffused		A-		040		3000K		525mm		IP67		300mm/11.81"		Double ø4.3mm sheath IP67 connector		DC 24V	

ACCESSORIES

Mounting Accessories

KKSB-01	Spring bracket
KKCR-01-1000	1000mm/39.37" Cable Raceway
KKCR-01-2000	2000mm/78.74" Cable Raceway
KKCR-01-3000	3000mm/118.11" Cable Raceway

* Refer to **Mounting accessories** on **Accessories** pages

Connection Accessories

CN67-2P-0300	IP67 2 PIN male & female 300mm/11.81" pair
CN67-2P-1000	IP67 2 PIN male & female 1000mm/39.37" pair
CN67-2P-3000	IP67 2 PIN male & female 3000mm/118.11" pair

* Refer to **Power feed** on **Accessories** pages

Exterior Junction Boxes

KKJB-07	IP67 Slim J-Box
KKJB-07R	Potting Resin for IP67 Slim J-Box

* Refer to **Exterior Junction Boxes** on **Accessories** pages

PSU/Driver

0-10V/1-10V/DALI/DMX

* Refer to **Driver/PSU Options** page for details or provide requirement and KKDC to offer the suitable option

LED ENGINE VARIANTS (LED STRIP TYPE)

Colour	Output	LED	Lumen/m	Lumen/ft	W/m	W/ft	Spec Doc	Length	Increment
Single CCT	Low	352	410	125	5.5	1.67	MoMo-R 352	108.3-2025mm (4.26-79.72in)	83.3mm (3.28in)
	Mid	504	990	302	12.5	3.81	MoMo-R 504	125-2025mm (4.92-79.72in)	100mm (3.94in)
	High	508	1370	418	17.5	5.33	MoMo-R 508	96.4-2025mm (3.80-79.72in)	71.4mm (2.81in)
	Max	512	2370	721	30.2	9.2	MoMo-R 512	96.4-2025mm (3.80-79.72in)	71.4mm (2.81in)
	Max	040	3960	1207	40	12.19	MoMo-R A040	102-1525mm (4.01-60.03in)	38.46mm (1.51in)
Warm Dim/Dynamic White	Mid	207	720	219	11	3.35	MoMo-R 207	108.3-2025mm (4.26-79.72in)	83.3mm (3.28in)
	Mid	208	1210	367	15.6	4.75	MoMo-R 208	191.7-2025mm (7.55-79.72in)	166.7mm (6.56in)
RGB		501	Red 124 Green 252 Blue 41 RGB 398	Red 38 Green 77 Blue 7 RGB 62	15.6	4.75	MoMo-R RGB	108.3-2025mm (4.26-79.72in)	83.3mm (3.28in)

* Performance data: A/s/e-line, clear cover, 3000K

Linear

MoMo-R A040 (40W)

Length Availability List

Length Code		Fixture Length ¹		LED Strip ²		End Cap Dimension ³		Wattage (W)	Output (lm)
Metric	Imperial(US)	Metric	Imperial(US)	Metric	Imperial(US)	Metric	Imperial(US)		3000K (Test Data)
m0102	i0003	102mm	3.62in	77mm	3.03in	15mm	0.59in	3.08	305
m0140	i0005	140mm	5.14in	115mm	4.55in	15mm	0.59in	4.62	457
m0179	i0006	179mm	6.65in	154mm	6.06in	15mm	0.59in	6.16	610
m0217	i0008	217mm	8.16in	192mm	7.57in	15mm	0.59in	7.70	762
m0256	i0009	256mm	9.68in	231mm	9.09in	15mm	0.59in	9.23	914
m0294	i0011	294mm	11.19in	269mm	10.60in	15mm	0.59in	10.77	1066
m0333	i0013	333mm	12.71in	308mm	12.12in	15mm	0.59in	12.31	1219
m0371	i0014	371mm	14.22in	346mm	13.63in	15mm	0.59in	13.85	1371
m0410	i0016	410mm	15.74in	385mm	15.14in	15mm	0.59in	15.39	1523
m0448	i0017	448mm	17.25in	423mm	16.66in	15mm	0.59in	16.93	1676
m0487	i0019	487mm	18.76in	462mm	18.17in	15mm	0.59in	18.46	1828
m0525	i0020	525mm	20.28in	500mm	19.69in	15mm	0.59in	20.00	1980
m0564	i0022	564mm	21.79in	539mm	21.20in	15mm	0.59in	21.54	2133
m0602	i0023	602mm	23.31in	577mm	22.72in	15mm	0.59in	23.08	2285
m0640	i0025	640mm	24.82in	615mm	24.23in	15mm	0.59in	24.62	2437
m0679	i0026	679mm	26.33in	654mm	25.74in	15mm	0.59in	26.16	2589
m0717	i0028	717mm	27.85in	692mm	27.26in	15mm	0.59in	27.69	2742
m0756	i0029	756mm	29.36in	731mm	28.77in	15mm	0.59in	29.23	2894
m0794	i0031	794mm	30.88in	769mm	30.29in	15mm	0.59in	30.77	3046
m0833	i0032	833mm	32.39in	808mm	31.80in	15mm	0.59in	32.31	3199
m0871	i0034	871mm	33.91in	846mm	33.31in	15mm	0.59in	33.85	3351
m0910	i0035	910mm	35.42in	885mm	34.83in	15mm	0.59in	35.39	3503
m0948	i0037	948mm	36.93in	923mm	36.34in	15mm	0.59in	36.92	3656
m0987	i0038	987mm	38.45in	962mm	37.86in	15mm	0.59in	38.46	3808
m1025	i0040	1025mm	39.96in	1000mm	39.37in	15mm	0.59in	40.00	3960
m1064	i0041	1064mm	41.48in	1039mm	40.89in	15mm	0.59in	41.54	4112
m1102	i0043	1102mm	42.99in	1077mm	42.40in	15mm	0.59in	43.08	4265
m1140	i0044	1140mm	44.50in	1115mm	43.91in	15mm	0.59in	44.62	4417
m1179	i0046	1179mm	46.02in	1154mm	45.43in	15mm	0.59in	46.16	4569
m1217	i0047	1217mm	47.53in	1192mm	46.94in	15mm	0.59in	47.69	4722
m1256	i0049	1256mm	49.05in	1231mm	48.46in	15mm	0.59in	49.23	4874
m1294	i0050	1294mm	50.56in	1269mm	49.97in	15mm	0.59in	50.77	5026
m1333	i0052	1333mm	52.08in	1308mm	51.49in	15mm	0.59in	52.31	5179
m1371	i0053	1371mm	53.59in	1346mm	53.00in	15mm	0.59in	53.85	5331
m1410	i0055	1410mm	55.10in	1385mm	54.51in	15mm	0.59in	55.39	5483
m1448	i0056	1448mm	56.62in	1423mm	56.03in	15mm	0.59in	56.92	5635
m1487	i0058	1487mm	58.13in	1462mm	57.54in	15mm	0.59in	58.46	5788
m1525	i0059	1525mm	59.65in	1500mm	59.06in	15mm	0.59in	60.00	5940

¹ Actual total overall length of light fixture (LED strip + end caps + void/wire hole)

² Actual length of PCB strip

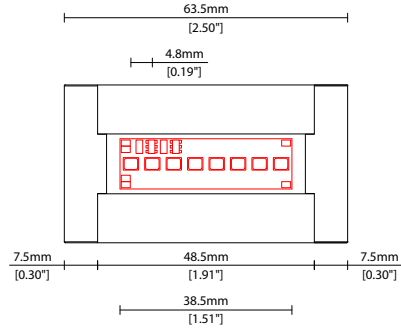
³ Actual length of 2x end caps

Linear

MoMo-R A040 (40W)

Length Availability List

KKDC



CUT-OUT SLOT:
W28-30mm (1.1-1.18")
L = Product length minus 4-5mm (0.15-0.19")

Linear

MoMo-R A040 (40W) Options

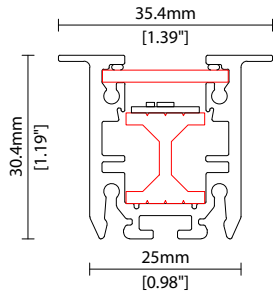
KKDC

COVER/LENS OPTIONS

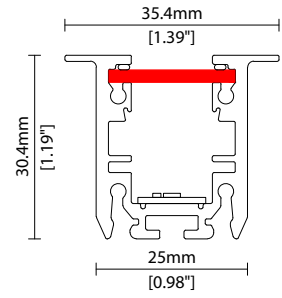
* Options are an integral part of the fixture ordering codes. Please refer to **Code Table** pages.



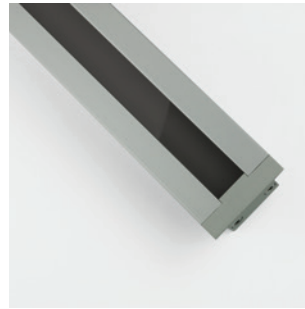
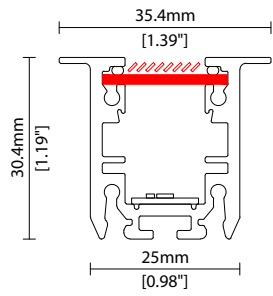
B Clear Cover



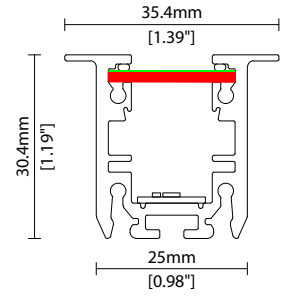
C Diffused Cover



W Diffused Cover + Micro Louvre



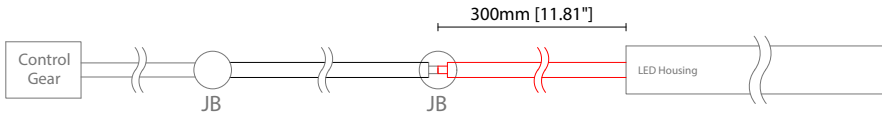
CN Diffused Cover + Nano Louvre



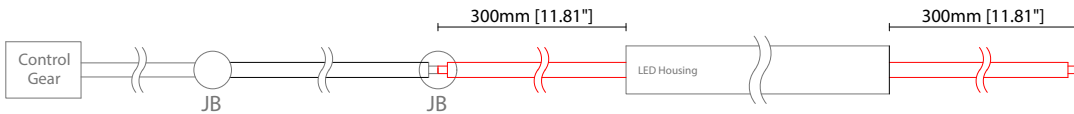
POWER FEED OPTIONS

* Options are an integral part of the fixture ordering codes. Please refer to **Code Table** pages.

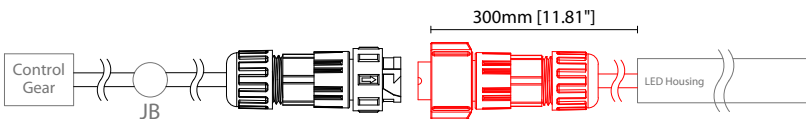
0300 S00A 300mm (11.81") Single Ø4.3mm sheath tail



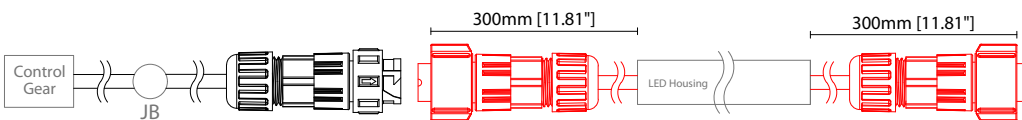
0300 D00A 300mm (11.81") Double Ø4.3mm sheath tail



0300 S67A 300mm (11.81") Single ø4.3mm sheath IP67 connector

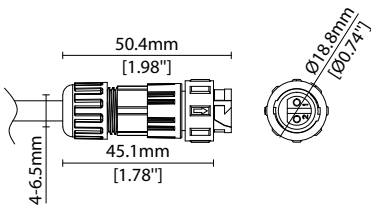


0300 D67A 300mm (11.81") Double ø4.3mm sheath IP67 connector

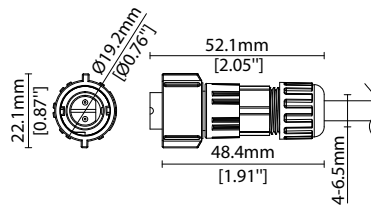


IP67 2 Pin Connector

Female connector
2 PIN (IP67)



Male connector
2 PIN (IP67)



Key

- Control Gear Power supply, sub-controllers & control systems
- JB Junction box / cable connection

Linear

MoMo-R A040 (40W) Accessories

KKDC

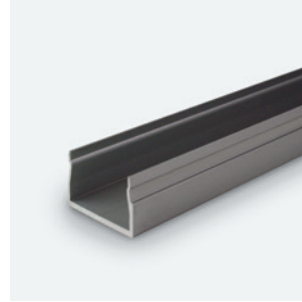
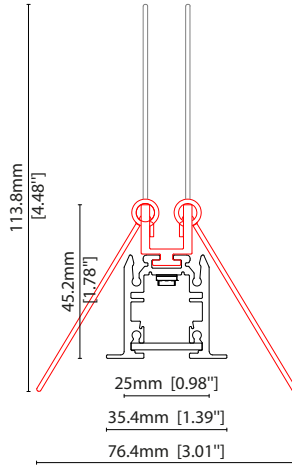
MOUNTING ACCESSORIES

Note: Accessories are to be ordered separately with corresponding code shown below.



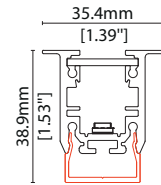
KKSB-01

Spring bracket
(allow 2 per metre/40")
Anodised aluminium finish
L31/W35.4/H45.2mm
(L1.22/W1.39/H1.78")

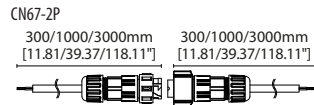


KKCR-01-1000 1000mm (39.37in)
KKCR-01-2000 2000mm (78.74in)
KKCR-01-3000 3000mm (118.11in)

Cable raceway*
anodised aluminium finish
W22/H36.4mm (W0.87/H1.43")
* Cut & drilled to fit on site



POWER FEED



CN67-2P-0300 300mm (11.81in) pair
CN67-2P-1000 1000mm (39.37in) pair
CN67-2P-3000 3000mm (118.11in) pair

IP67
2 PIN male + female connector set

Linear

MoMo-R A040 (40W) Accessories

KKDC

EXTERIOR JUNCTION BOXES



KKJB-07

IP67 Slim J-Box
(including type A,B,C,D bushings)



KKJB-07R

Potting resin for IP67 Slim J-Box

KKDC CONTROL



KKDM-06 1-10V

visDIM dimmable sub-controller
(4 x 8A max @ 12-36V)

IP20
Plastic housing
L170/W59/H29mm
(L6.69/W2.32/H1.14in)



KKSC-05 DMX

visDIM dimmable sub-controller
(4 x 5A max @ 12-36V)

IP20
Plastic housing
L170/W53.4/H28mm
(L6.69/W2.10/H1.10in)



KKDL-02 DALI

visDIM dimmable sub-controller
(4 x 8A max @ 12-36V)

IP20
Plastic housing
L170/W59/H29mm
(L6.69/W2.32/H1.14in)



KKDL-03 DALI

visDIM dimmable sub-controller
(4 x 5A max @ 12-36V)

IP20
Plastic housing
L166/W53.4/H23mm
(L6.54/W2.10/H0.91in)

AVAILABLE PSU OPTIONS

Control Mode	PSU (Order Code)	Input Voltage AC	Output Voltage DC	Rated Output Current	Rated Power	Dim %	IP Rating
Switched	CEN-60-24	90-295V	24V	2.5A	60W	-	IP67
	HLG-60H-24	90-305V	24V	2.5A	60W	-	IP67
	HLG-100H-24	90-305V	24V	4.0A	100W	-	IP67
	HLG-150H-24	90-305V	24V	6.3A	150W	-	IP67
	HLG-240H-24	90-305V	24V	10A	240W	-	IP67
0-10V (1-10V)	PWM-40-24	90-305V	24V	1.67A	40W	100-0.15 (100-10)	IP67
	PWM-60-24	90-305V	24V	2.5A	60W	100-0.15 (100-10)	IP67
	PWM-90-24	90-305V	24V	3.67A	90W	100-0.15 (100-10)	IP67
	PWM-120-24	90-305V	24V	5.0A	120W	100-0.15 (100-10)	IP67
DALI	LIN100A1	120-277V	24V	1A per channel	100W	100-0.1	IP66/IP40
DMX RGB	LIN100A1	120-277V	24V	1.33A per channel	100W	100-0.1	IP66/IP40
DMX RGBW	LIN100A1	120-277A	24V	1A per channel	100W	100-0.1	IP66/IP40

Flicker Free Options - Combination of PSU+ sub-controller

Control Mode	PSU (Order Code)	Sub-controller (Order Code)	Input Voltage AC	Output Voltage DC	Rated Output Current	Rated Power	Dim %	IP Rating PSU/ Sub-controller
0-10V or 1-10V	CEN-60-24	KKDM-06	90-295V	24V	2.5A	60W	100-0.9	IP67/IP20
	HLG-60H-24	KKDM-06	90-295V	24V	2.5A	60W	100-0.9	IP67/IP20
	HLG-100H-24	KKDM-06	90-295V	24V	4.0A	100W	100-0.9	IP67/IP20
	HLG-150H-24	KKDM-06	90-295V	24V	6.3A	150W	100-0.9	IP67/IP20
	HLG-240H-24	KKDM-06	90-295V	24V	10.0A	240W	100-0.9	IP67/IP20
DALI	CEN-60-24	KKDL-02/03	90-295V	24V	2.5A	60W	100-0.1	IP67/IP20
	HLG-60H-24	KKDL-02/03	90-305V	24V	2.5A	60W	100-0.1	IP67/IP20
	HLG-100H-24	KKDL-02/03	90-305V	24V	4.0A	100W	100-0.1	IP67/IP20
	HLG-150H-24	KKDL-02/03	90-305V	24V	6.3A	150W	100-0.1	IP67/IP20
	HLG-240H-24	KKDL-02/03	90-305V	24V	10.0A	240W	100-0.1	IP67/IP20
DMX RGB	CEN-60-24	KKSC-05	90-295V	24V	2.5A	60W	100-0.9	IP67/IP20
	HLG-60H-24	KKSC-05	90-305V	24V	2.5A	60W	100-0.9	IP67/IP20
	HLG-100H-24	KKSC-05	90-305V	24V	4A	100W	100-0.9	IP67/IP20
	HLG-150H-24	KKSC-05	90-305V	24V	6.3A	150W	100-0.9	IP67/IP20
	HLG-240H-24	KKSC-05	90-305V	24V	10.0A	240W	100-0.9	IP67/IP20

¹ The items shown above cover the most frequently used specification but does not exhaust the possible options

² PSU and/or driver can be chosen from the table, or KKDC may recommend the best option upon receipt of the controls requirement and installation environment

³ Electrical shop drawing will include detailed information of PSU and relevant control drivers

⁴ Cut sheets are available on the controls section of www.kkdc.lighting or upon request