

## Mid-watt Hazardous Rated LED Flood



Hazardous and high-temperature rated floodlight  
LED lighting designed for the most extreme environments  
Versatile, compact design with various mounting accessories  
Ideal for paper mills, steel mills, processing facilities, foundries,  
oil and petrochemical complexes and more

### Key Applications

High Temperature Applications:

- Steel mills
- Paper & pulp mills
- Foundries
- Power plants
- Processing plants

Hazardous Applications:

- Oil & gas refineries
- Food & beverage processing LNG carriers
- Petroleum & chemical tankers
- Fuel depots
- Drilling rigs
- Aircraft maintenance
- Wastewater treatment plants

### Compliances

UL/cUL Listed to:

- UL 1598 Suitable for Wet Locations
- UL 844 Hazardous Location (-40°C to +40°C)  
Class I, Division 2 Groups A, B, C, D  
T4, 135°C (275°F) maximum surface temperature  
Class II, Division 2 Groups F, G
- CSA C22.2 No. 137.0
- CSA C22.2 No. 250.0

IP67

NEMA 6

### Specifications

<b>Construction</b>	Cast aluminum housing
<b>Finish</b>	Gray powder coat
<b>Hardware</b>	316 stainless steel
<b>Lens</b>	10 mm tempered glass - standard Domed clear and diffuse polycarbonate lens covers accessories
<b>Light source</b>	60W, 6000 lumens Cool white (5000K) LEDs (CW) COB technology Additional color temperatures - contact factory
<b>Power source</b>	120V or 277V, 50/60Hz Driveless technology 60,000 hour rated life (55°C) Additional voltage options - contact factory
<b>Surge protection</b>	6 kV
<b>Wiring</b>	1 x ¾ inch NPT 10 foot (3 meter) cable (standard)
<b>Ambient operating temperature</b>	-40°C to +100°C
<b>Mounting</b>	Various mounting accessories (order separately)
<b>Vibration</b>	3 Grms, 100-2200 Hz along 3 axes
<b>Fixture weight</b>	12.1 lbs (5.5 kg)
<b>Warranty</b>	5 years (-40°C to +64°C ambient temperature) 2 years (+65°C to +85°C ambient temperature) 1 year (+86°C to +100°C ambient temperature)

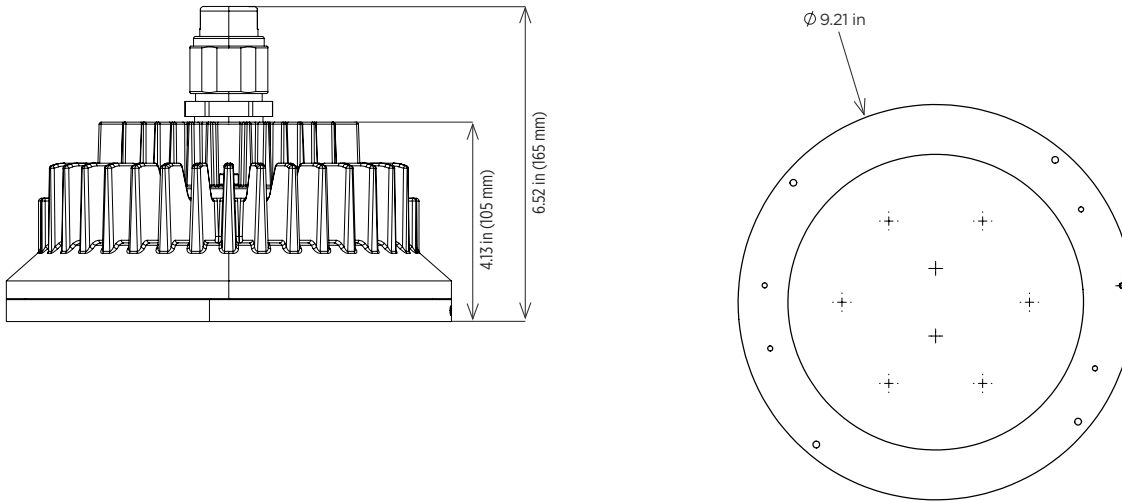
For IES files, see website or contact factory

# Conquer™ Series Floodlight

Mid-watt Hazardous Rated LED Flood

**PHOENIX**<sup>®</sup>  
DURABILITY X DESIGN™

## Dimensions



## Ordering Information

Example: CQF-60-CW-120

Fixture	Wattage	Color Temperature	Voltage
CQF	60	CW	120
			277

Wattage	Color Temperature	Voltage
60 60W, 6000 lumens	CW Cool white	120 120V, 50/60 Hz
		277 277V, 50/60 Hz

**Special Projects:** We may be able to accommodate your special projects, so please don't hesitate to ask about additional options. Minimum order quantities and/or extended lead times will apply. Contact your Phoenix representative with specific inquiries.

# Conquer™ Series Floodlight

Mid-watt Hazardous Rated LED Flood

**PHOENIX**<sup>®</sup>  
DURABILITY X DESIGN™

## Mounting Accessories (order separately)

### Retrofit Top Hat Adapter - Appleton <sup>1</sup>

RFA-A

### Retrofit Top Hat Adapter - Crouse Hinds <sup>1</sup>

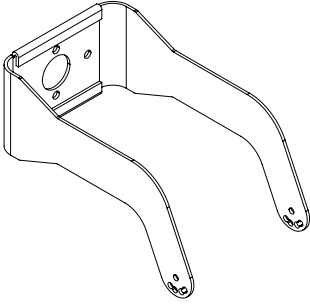
RFA-C

### Retrofit Top Hat Adapter - Killark <sup>1</sup>

RFA-K

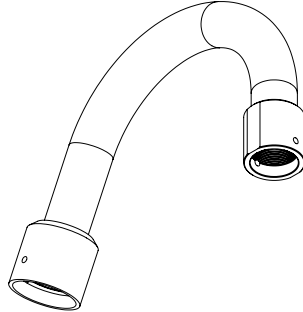
### Universal Mounting Bracket

UM-CQF



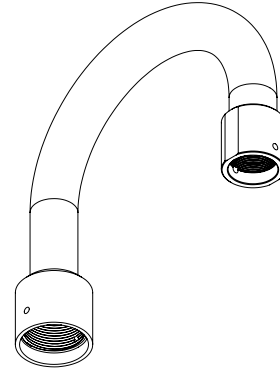
### Stanchion Mount Bracket (25°)

25S-CQ



### Stanchion Mount Bracket (90°)

90S-CQ



### Notes

<sup>1</sup> Contact factory

## Accessories (order separately)

### Reflector

RFL-CQF

### Clear Domed Polycarbonate Lens

CD-CQF

### Diffuse Domed Polycarbonate Lens

DD-CQF

### Safety Cable

SFCB-CQF

Product design and specifications are subject to change without notice. The most current version of this specification sheet can be found at [www.phoenixlighting.com](http://www.phoenixlighting.com).