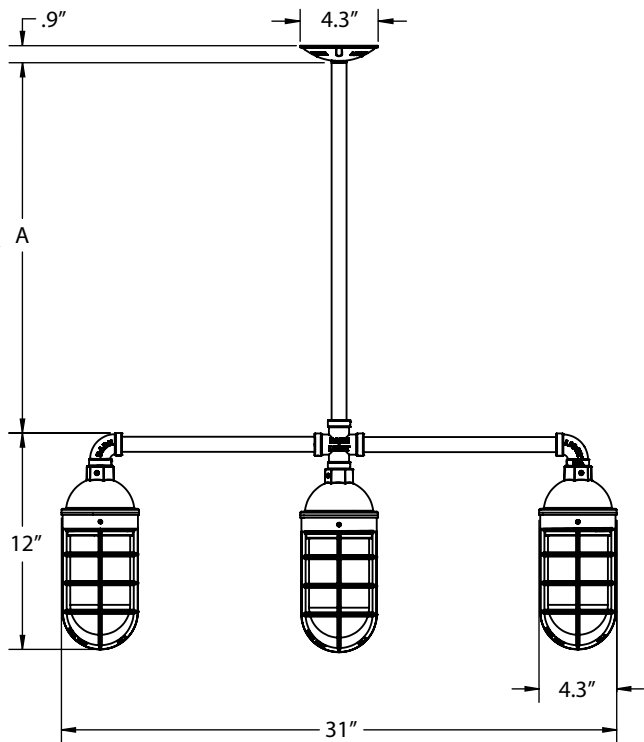


Order Example: BLE - S - CGG3 - 400 - ST524 - SC - NA - TGG - 400 - RIB - GU24 - NA

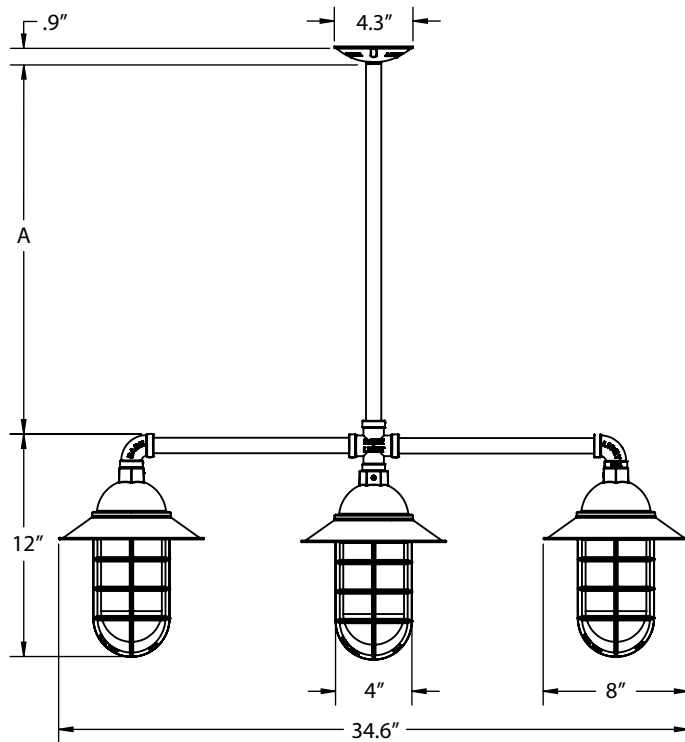
A - FINISHES	B - MOUNTING	E - CAST GUARD OPTION	H - LIGHT SOURCE
<p><b>POWDER COAT FINISHES:</b></p> <p><b>100</b> Black  <b>105</b> Textured Black  <b>200</b> White  <b>300</b> Dark Green  <b>307</b> Emerald Green  <b>311</b> Jadite  <b>370</b> Mint  <b>380</b> Chartreuse  <b>390</b> Teal  <b>400</b> Barn Red  <b>420</b> Orange  <b>470</b> Watermelon  <b>480</b> Blush Pink  <b>490</b> Magenta  <b>500</b> Buttery Yellow  <b>570</b> Sunflower  <b>600</b> Bronze  <b>601</b> Chocolate  <b>605</b> Rust  <b>615</b> Oil-Rubbed Bronze  <b>700</b> Royal Blue  <b>705</b> Navy  <b>710</b> Cobalt Blue  <b>715</b> Delphite Blue  <b>800</b> Industrial Grey  <b>805</b> Charcoal Granite  <b>810</b> Graphite  <b>975</b> Galvanized</p>	<p><b>STEM MOUNT OPTIONS:</b></p> <p><b>ST506</b> .5" Stem Mount, 6"  <b>ST512</b> .5" Stem Mount, 12"  <b>ST518</b> .5" Stem Mount, 18"  <b>ST524</b> .5" Stem Mount, 24"  <b>ST536</b> .5" Stem Mount, 36"  <b>ST548</b> .5" Stem Mount, 48"</p>	<p><b>WGG</b> Wire Guard  <b>CGG</b> Standard Cast Guard  <b>TGG</b> Heavy Duty Cast Guard</p>	<p><b>E26</b> 100 Watt Max  <b>GU24</b> 24 Bi-Pin, 18W Max<sup>2</sup>  <b>LED16.8</b> 16W LED, 1600 LM</p>
	<p style="background-color: #4a5558; color: white; padding: 2px;"><b>C - CANOPY</b></p> <p><b>SC</b> Standard Canopy  <b>HSC</b> Hang Straight Canopy  <b>HDSMC</b> Heavy Duty Stem Mount Canopy</p>	<p style="background-color: #4a5558; color: white; padding: 2px;"><b>F - CAST GUARD FINISH</b></p> <p><i>Please Note: See <b>Section A</b> for all applicable Cast Guard Finish Options</i></p>	<p style="background-color: #4a5558; color: white; padding: 2px;"><b>I - COLOR TEMPERATURE<sup>3</sup></b></p> <p><b>NA</b> Not Applicable  <b>2700K</b> 2700K, Warm White  <b>3000K</b> 3000K, Neutral White  <b>3500K</b> 3500K, Bright White  <b>4000K</b> 4000K, Cool White</p>
	<p style="background-color: #4a5558; color: white; padding: 2px;"><b>D - OPTIONAL SHADE</b></p> <p><b>NA</b> No Shade  <b>FS</b> Flared Shade  <b>WH</b> Warehouse Shade</p>	<p style="background-color: #4a5558; color: white; padding: 2px;"><b>G - GLASS OPTIONS</b></p> <p><b>CLR</b> Clear Glass<sup>1</sup>  <b>FST</b> Frosted Glass  <b>RIB</b> Ribbed Glass  <b>CCR</b> Clear Crackle Glass  <b>SMK</b> Smoke Crackle Glass  <b>HCR</b> Honey Crackle Glass</p>	

**IMPORTANT:** (1) Clear Glass not recommended if LED16.8 Light Source Selected in Section H (2) Fixtures configured with a GU24 socket are non-returnable (3) Selection only applicable if LED16.8 Light Source is selected in Section H, select NA if another Light Source is selected

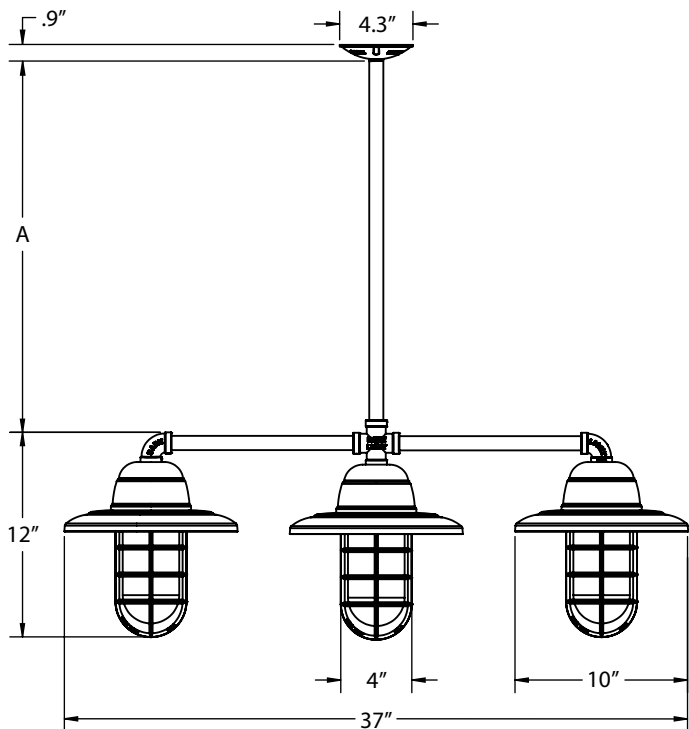
**DIMENSIONAL DRAWINGS**



SHOWN WITH: NO OPTIONAL SHADE



SHOWN WITH: FLARED SHADE



SHOWN WITH: WAREHOUSE SHADE

STEM LENGTH	HEIGHT (A)
06 (6" Stem)	5.5"
12 (12" Stem)	11.5"
18 (18" Stem)	17.5"
24 (24" Stem)	23.5"
36 (36" Stem)	35.5"
48 (48" Stem)	47.5"

**LIGHT SOURCE**

All published luminaire photometric testing performed to IESNA LM-79-08 standards by a NVLAP accredited laboratory. Data is considered to be representative of the configurations shown, within the tolerances allowed by Lighting Facts. To obtain an IES file specific to your project, please contact the factory.

OPTION	WATTAGE	LUMENS <small>*Avg. value, actual value dependent on bulb used</small>	CRI	VOLTAGE	DIMMING
<b>INCANDESCENT (MED E26)</b>					
<b>E26</b>	100W Max	1600*	100*	120 VAC	Bulb Dependant
<b>COMPACT FLOURESCENT (GU24 CFL)</b>					
<b>GU24</b>	18W Max	1600*	75*	120 VAC	Bulb Dependant
<b>LED</b>					
<b>LED16.8</b>	16W	1600	>90	120 VAC	TRIAC

**SPECIFICATIONS**

**CONSTRUCTION**

**FINISH**

STEM  
1/2" Nominal (0.84" Actual) Aluminum Mounting Stem. Custom Lengths Available Upon Request.

POWDER COAT FINISHES  
Polyester Powder Coat Finishes are Electro-Statically Applied and Thermocured

**LED SPECIFICATIONS**

**CERTIFICATIONS, LISTINGS & WARRANTY**

LUMEN MAINTENANCE  
LED16.8 Source is L90(11K) > 61,000 Hours.

COLOR TEMPERATURES  
Standard color temperatures available include 2700K, 3000K, 3500K and 4000K. Custom Temperatures Available upon Request.

CRI  
Minimum 90 CRI, Consult Factory for Other CRI Options

EFFICACY  
Up to 100 LPW Based on Wattage/Lumens in the Table

DRIVER & DIMMING OPTION  
Relient on Triac Dimming 16W / 120V Integrated Driver, down to 1% Dimming. Requires Compatible Dimming Switch.

MADE IN THE USA  
Manufactured and Hand-Crafted in our 60,000 Square Foot Facility Located in Titusville, FL

CSA LISTED FOR WET LOCATIONS

LIMITED WARRANTY  
For Additional Information on our Limited Warranty, Please See Our Terms & Conditions