

Order Example: BLE - W - WHU10 - 400 - TGG - SMK - 975 - L-WL - CSB - NA - GU24

**A - FINISHES**

**POWDER COAT FINISHES<sup>1</sup>:**

- 100** Black
- 105** Textured Black
- 200** White
- 300** Dark Green
- 307** Emerald Green
- 311** Jadite
- 370** Mint
- 380** Chartreuse
- 390** Teal
- 400** Barn Red
- 420** Orange
- 470** Watermelon
- 480** Blush Pink
- 490** Magenta
- 500** Buttery Yellow
- 570** Sunflower
- 600** Bronze
- 601** Chocolate
- 605** Rust
- 615** Oil-Rubbed Bronze
- 700** Royal Blue
- 705** Navy
- 710** Cobalt Blue
- 715** Delphite Blue
- 800** Industrial Grey
- 805** Charcoal Granite
- 810** Graphite
- 975** Galvanized

**PORCELAIN FINISHES<sup>2</sup>:**

- 150** Black
- 250** White
- 350** Vintage Green
- 355** Jadite
- 455** Cherry Red
- 550** Yellow
- 650** Bronze
- 750** Cobalt Blue
- 765** Delphite Blue
- 850** Graphite
- 950** Metallic Chrome

**B - OPTIONAL ACCESSORY**

- NA** None
- WC** Wire Cage
- TGG** Heavy Duty Guard<sup>3</sup>
- CGG** Cast Guard<sup>3</sup>
- WGG** Wire Guard<sup>3</sup>

**C - GLASS OPTION**

- NA** Not Applicable
- CLR** Clear Glass<sup>3</sup>
- FST** Frosted Glass<sup>3</sup>
- RIB** Ribbed Glass<sup>3</sup>
- CCR** Clear Crackle Glass<sup>3</sup>
- SMK** Smoke Crackle Glass<sup>3</sup>
- HCR** Honey Crackle Glass<sup>3</sup>

**D - OPTIONAL ACCESSORY FINISH**

- Please Note: See Section A for all optional accessory finish options.*  
*(I) If a porcelain finish is selected, accessory will be powder coat painted-to-match.*  
*(II) If no accessory is selected in Section B, please select NA.*
- NA** Not Applicable

**E - PLUG-IN OPTION<sup>5</sup>**

- NA** None
- L-WL** Plug with Inline On/Off Switch

**F - PLUG-IN CORD OPTION<sup>5</sup>**

- NA** Not Applicable

**CSA LISTED CORD OPTIONS:**

- SBK** Standard Black Cord
- SWH** Standard White Cord
- CSB** Black Cloth Cord
- CSW** White Cloth Cord
- CSR** Red Cloth Cord
- CSBW** Black & White Cloth
- CSRW** Red & White Cloth
- CSBG** Black & Gold Cloth
- CSBP** Black & Pink Cloth
- CSGW** Gold & White Cloth
- CSUW** Blue & White Cloth
- CSBB** Black & Brown Cloth

**NON-CSA LISTED CORD OPTIONS:**

- CRZ** Red Chevron
- CMG** Grey Cotton

**G - DUSK-TO-DAWN PHOTOCELL<sup>4</sup>**

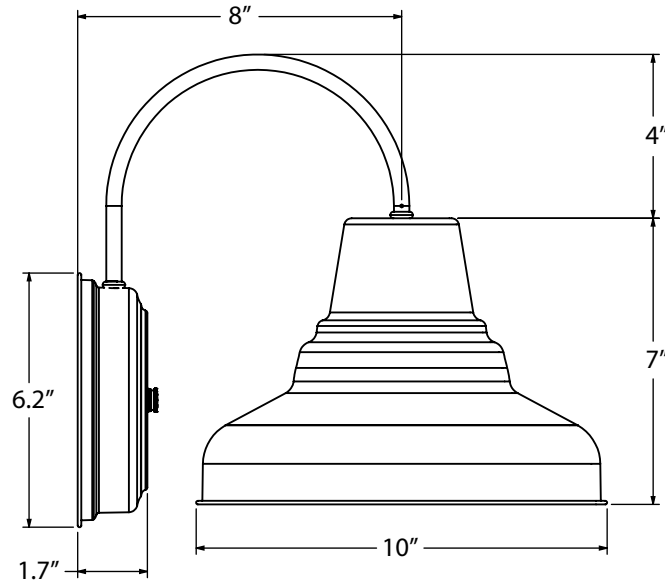
- NA** None/Not Applicable
- DD** Dusk-to-Dawn Photocell<sup>4</sup>

**H - LIGHT SOURCE**

- E26** 200 Watt Max<sup>3</sup>
- GU24** 24 Bi-Pin, 23W Max<sup>3,5</sup>

**IMPORTANT:** (1) All Powder Coat finished shades, with the exception of Galvanized, feature a white interior (2) All Porcelain Enamel finished shades feature a white interior and a black outer rim (3) Guard and Glass accessory reduces incandescent wattage to 100W Max and GU24 Bi-Pin to 18W Max (4) Option not available if Plug-In Option selected in Section E (5) Fixtures configured with a GU24 socket are non-returnable

**DIMENSIONAL DRAWING**



**LIGHT SOURCE**

All published luminaire photometric testing performed to IESNA LM-79-08 standards by a NVLAP accredited laboratory. Data is considered to be representative of the configurations shown, within the tolerances allowed by Lighting Facts. To obtain an IES file specific to your project, please contact the factory.

OPTION	WATTAGE	LUMENS <small>*Avg. value, actual value dependent on bulb used</small>	CRI	VOLTAGE	DIMMING
<b>INCANDESCENT (MED E26)</b>					
E26	200W Max	3000*	100*	120 VAC	Bulb Dependant
<b>COMPACT FLOURESCENT (GU24 CFL)</b>					
GU24	23W Max	1600*	75*	120 VAC	Bulb Dependant

**SPECIFICATIONS**

**CERTIFICATIONS, LISTINGS & WARRANTY**

MADE IN THE USA  
 Manufactured and Hand-Crafted in Our 60,000 Square Foot Facility Located in Titusville, FL

CSA LISTED FOR WET LOCATIONS  
 If Plug-In Option Selected, CSA Listed for Damp Locations Only

LIMITED WARRANTY  
 For Additional Information on Our Limited Warranty, Please See Our Terms & Conditions

**DESIGN & FINISHES**

UNIVERSAL SHADE  
 Hand-Spun from High Purity 0.050" Thick 3003-O Temper Aluminum

UNION PORCELAIN SHADE  
 Hand-Spun from 20 Guage Sheet Metal

POWDER COAT FINISHES  
 Polyester Powder Coat Finishes Are Electro-Statically Applied and Thermocured

PORCELAIN FINISHES  
 Applied by Hand and Fired in a High Temperature Oven

WALL SCONCE ARM  
 1/4" Nominal (0.50" Actual) Steel/Aluminum Mounting Arm