



REV 08.14.18

**THE BOMBER POST MOUNT COLLECTION**

BARN LIGHT OUTDOOR LIGHTING COLLECTION

Max Weight: 10.0 lbs

PROJECT NAME \_\_\_\_\_

PROJECT TYPE \_\_\_\_\_

**SPS-0267**

BLE - \_\_\_\_\_ - \_\_\_\_\_ - \_\_\_\_\_ - \_\_\_\_\_ - \_\_\_\_\_ - \_\_\_\_\_ - \_\_\_\_\_ - \_\_\_\_\_

A                      B                      C                      D                      E                      F                      G

\_\_\_\_\_ - \_\_\_\_\_ - \_\_\_\_\_ - \_\_\_\_\_ - \_\_\_\_\_ - \_\_\_\_\_ - \_\_\_\_\_ - \_\_\_\_\_

H                      I                      J                      K                      L

Order Example: BLE - PMSD - WHB15 - 750 - 975 - TGG - FST - 975 - PMDBF12 - 975 - LED16.8 - 3500K - NA

**A - POST MOUNT MODEL**

<b>PMS</b>	Single Post
<b>PMSD</b>	Single Decorative Post
<b>PMD</b>	Double Post
<b>PMDD</b>	Double Decorative Post
<b>PMTD</b>	Triple Decorative Post

**B - SHADE SIZE****BOMBER:**

<b>WHB15</b>	15" Shade
<b>WHB17</b>	17" Shade

**C - SHADE FINISH****POWDER COAT FINISHES<sup>1</sup>:**

<b>100</b>	Black
<b>105</b>	Textured Black
<b>200</b>	White
<b>300</b>	Dark Green
<b>307</b>	Emerald Green
<b>311</b>	Jadite
<b>370</b>	Mint
<b>380</b>	Chartreuse
<b>390</b>	Teal
<b>400</b>	Barn Red
<b>420</b>	Orange
<b>470</b>	Watermelon
<b>480</b>	Blush Pink
<b>490</b>	Magenta
<b>500</b>	Buttery Yellow
<b>570</b>	Sunflower
<b>600</b>	Bronze
<b>601</b>	Chocolate
<b>605</b>	Rust
<b>615</b>	Oil-Rubbed Bronze
<b>700</b>	Royal Blue
<b>705</b>	Navy
<b>710</b>	Cobalt Blue
<b>715</b>	Delphite Blue
<b>800</b>	Industrial Grey
<b>805</b>	Charcoal Granite
<b>810</b>	Graphite
<b>975</b>	Galvanized

**PORCELAIN FINISHES<sup>2</sup>:**

<b>150</b>	Black
<b>250</b>	White
<b>350</b>	Vintage Green

**C - SHADE FINISH (CONTINUED)****PORCELAIN FINISHES<sup>2</sup>:**

<b>355</b>	Jadite
<b>455</b>	Cherry Red
<b>550</b>	Yellow
<b>650</b>	Bronze
<b>750</b>	Cobalt Blue
<b>765</b>	Delphite Blue
<b>850</b>	Graphite
<b>950</b>	Metallic Chrome

**NATURAL FINISHES<sup>3</sup>:**

<b>995</b>	Raw Copper
<b>996</b>	Weathered Copper
<b>997</b>	Raw Brass
<b>998</b>	Weathered Brass
<b>999</b>	Oil-Rubbed Copper

**D - POST MOUNT FINISH**

<b>100</b>	Black
<b>200</b>	White <sup>4</sup>
<b>975</b>	Galvanized

**E - OPTIONAL POST MOUNT ACCESSORY**

<b>NA</b>	None
<b>WC</b>	Wire Cage
<b>TGG</b>	Heavy Duty Guard <sup>5</sup>
<b>CGG</b>	Cast Guard <sup>5</sup>
<b>WGG</b>	Wire Guard <sup>5</sup>

**F - GLASS OPTION**

<b>NA</b>	Not Applicable
<b>CLR</b>	Clear Glass <sup>45</sup>
<b>FST</b>	Frosted Glass <sup>45</sup>
<b>RIB</b>	Ribbed Glass <sup>45</sup>
<b>CCR</b>	Clear Crackle Glass <sup>45</sup>
<b>SMK</b>	Smoke Crackle Glass <sup>45</sup>
<b>HCR</b>	Honey Crackle Glass <sup>45</sup>

**G - OPTIONAL POST MOUNT ACCESSORY FINISH**

Please Note: See **Section C** for all optional post mount accessory finish options.

(I) If a porcelain finish is selected, accessory will be powder coat painted-to-match.

(II) Accessories not available in Natural Finishes

(III) If no accessory is selected in Section E, select NA.

**NA** Not Applicable

**H - DIRECT BURIAL POLE**

<b>NA</b>	None
<b>PMDBSP8</b>	8' Smooth Pole
<b>PMDBFP8</b>	8' Fluted Pole
<b>PMDBS10</b>	10' Smooth Pole
<b>PMDBF10</b>	10' Fluted Pole
<b>PMDBS12</b>	12' Smooth Pole
<b>PMDBF12</b>	12' Fluted Pole

**I - BURIAL POLE FINISH**

<b>NA</b>	Not Applicable
<b>100</b>	Black
<b>200</b>	White <sup>1</sup>
<b>975</b>	Galvanized

**J - LIGHT SOURCE**

<b>E26</b>	200 Watt Max <sup>3</sup>
<b>GU24</b>	24 Bi-Pin, 23W Max <sup>5,6</sup>
<b>LED11</b>	11W LED, 850 Lumen <sup>7</sup>
<b>LED16</b>	16W LED, 1250 Lumen <sup>7</sup>
<b>LED16.8</b>	16W LED, 1600 Lumen <sup>5</sup>
<b>LED27</b>	27W LED, 2000 Lumen <sup>7</sup>
<b>LED38</b>	38W LED, 3000 Lumen <sup>7</sup>
<b>LED43</b>	43W LED, 4000 Lumen <sup>7</sup>

**K - COLOR TEMPERATURE<sup>8</sup>**

<b>NA</b>	Not Applicable
<b>2700</b>	2700K, Warm White
<b>3000</b>	3000K, Neutral White
<b>3500</b>	3500K, Bright White
<b>4000</b>	4000K, Cool White

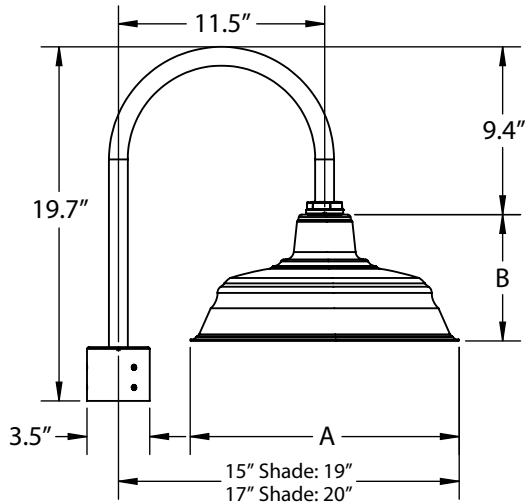
**L - LED LENS<sup>7</sup>**

<b>NA</b>	Not Applicable
<b>DL</b>	Domed Lens
<b>FL</b>	Flat Lens

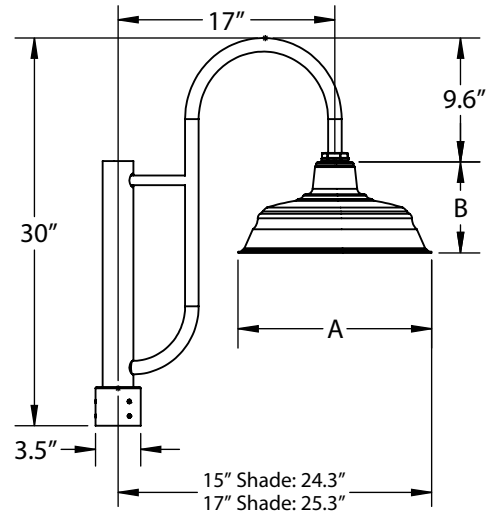
**IMPORTANT:** (1) All Powder Coat finished shades, with the exception of Galvanized, feature a white interior (2) All Porcelain Enamel finished shades feature a white interior and a black outer rim (3) Natural Finishes have a longer estimated lead time, please check the website for exact manufacturing time. There are no returns accepted on Natural Finishes. (4) Option not applicable if a Natural Finish is selected in Section C (5) Guard and Glass accessory reduces incandescent wattage to 100W Max, GU24 Bi-Pin to 18W Max and LED Max to 1600 Lumens (6) Fixtures configured with a GU24 socket are non-returnable (7) Select Light Source options not available with Guard and Glass Accessory (8) Option only applicable if LED11, LED16, LED16.8, LED27, LED38 or LED43 Light Source selected in Section J, select NA if E26 or GU24 Light Source selected

**DIMENSIONAL DRAWINGS**

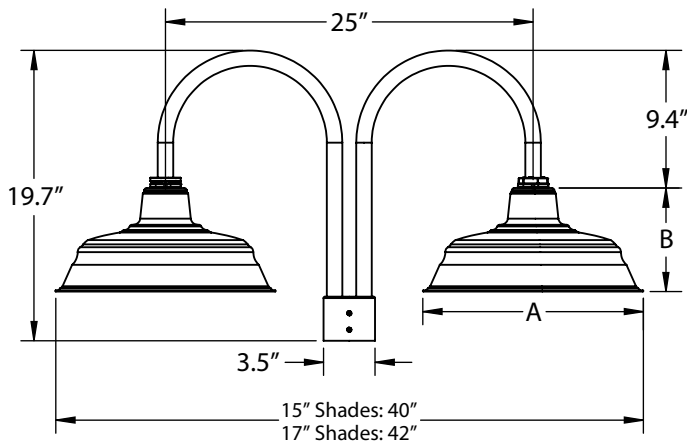
**SINGLE POST (PMS)**



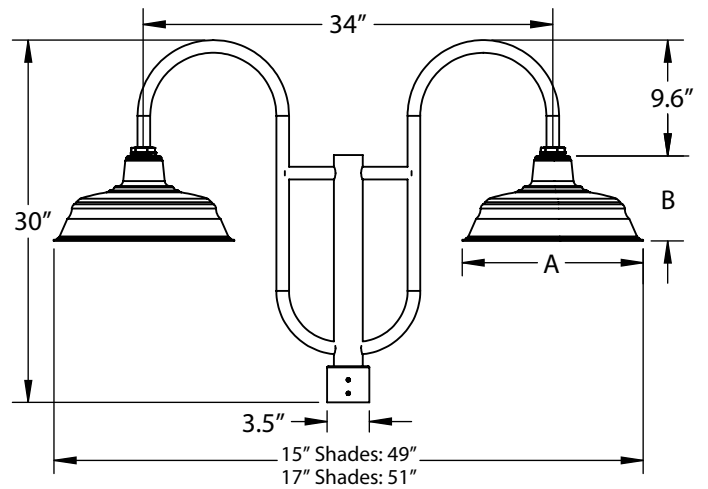
**SINGLE DECORATIVE POST (PMSD)**



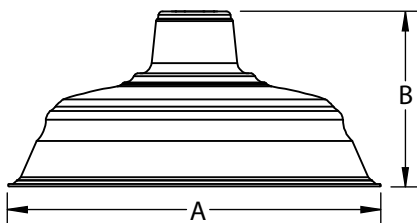
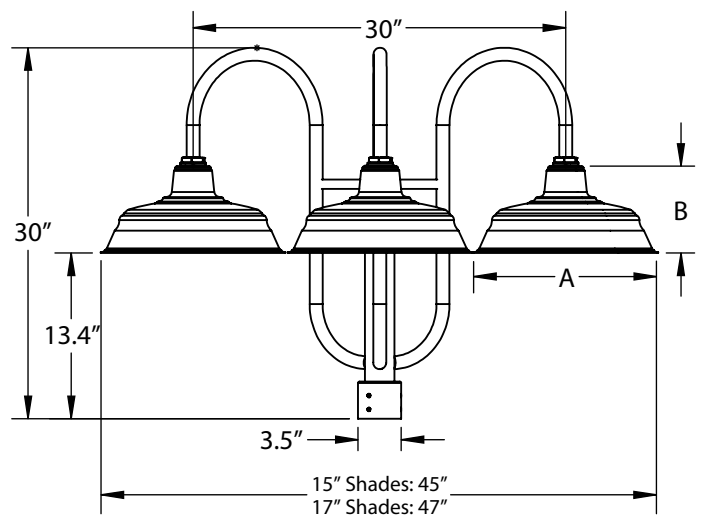
**DOUBLE POST (PMD)**



**DOUBLE DECORATIVE POST (PMDD)**



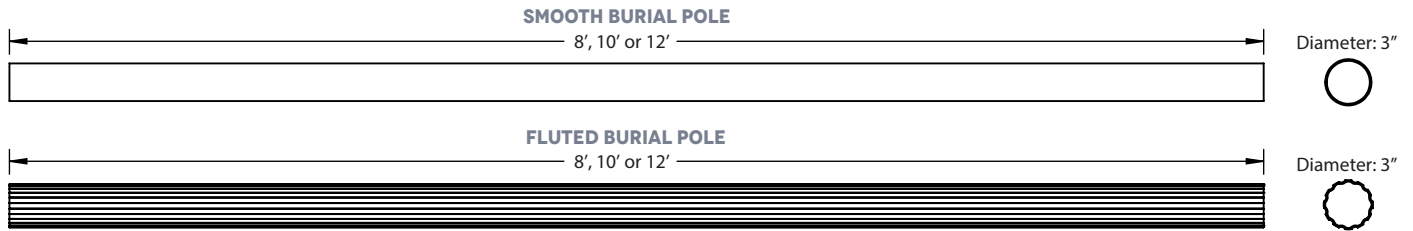
**TRIPLE DECORATIVE POST (PMTD)**



SHADE CODE	DIAMETER (A)	HEIGHT (B)
WHB15	15"	7"
WHB17	17"	8.25"

**DIRECT BURIAL POLE**

The optional Direct Burial Pole allows our Post Mounts to spread their unique style across an entire residential or commercial property. Two pole styles — smooth and fluted — are available.



**LIGHT SOURCE**

All published luminaire photometric testing performed to IESNA LM-79-08 standards by a NVLAP accredited laboratory. Data is considered to be representative of the configurations shown, within the tolerances allowed by Lighting Facts. To obtain an IES file specific to your project, please contact the factory.

OPTION	WATTAGE	LUMENS <small>*Avg. value, actual value dependent on bulb used</small>	CRI	VOLTAGE	DIMMING
<b>LEDS</b>					
LED11	11W	850	>90	120 VAC	TRIAC
LED16	16W	1250	>90	120 VAC	TRIAC
LED16.8	16W	1600	>90	120 VAC	TRIAC
LED27	27W	2000	>90	120-277 VAC	0-10V
LED38	38W	3000	>90	120-277 VAC	0-10V
LED43	43W	4000	>90	120-277 VAC	0-10V
<b>INCANDESCENT (MED E26)</b>					
E26	200W Max	*3000	*100	120 VAC	Bulb Dependant
<b>COMPACT FLOURESCENT (GU24 CFL)</b>					
GU24	23W Max	*1600	*75	120 VAC	Bulb Dependant

**SPECIFICATIONS**

**CONSTRUCTION**

DIRECT BURIAL POLE  
Optional Smooth Pole (12 Guage Galvanized Steel) or Fluted Pole (Schedule 40 Aluminum)

**CERTIFICATIONS, LISTINGS & WARRANTY**

MADE IN THE USA  
Manufactured and Hand-Crafted in our 60,000 Square Foot Facility Located in Titusville, FL

CSA LISTED FOR WET LOCATIONS

LIMITED WARRANTY  
For Additional Information on our Limited Warranty, Please See Our Terms & Conditions

**SHADE & FINISH**

OLD DIXIE SHADE  
Hand-Spun from High Purity 0.050" Thick 3003-O Temper Aluminum

BOMBER PORCELAIN SHADE  
Hand-Spun from 20 Guage Sheet Metal

POWDER COAT FINISHES  
Polyester Powder Coat Finishes are Electro-Staticly Applied and Thermocured

PORCELAIN FINISHES  
Applied by Hand and Fired in a High Temperature Oven

**SPECIFICATIONS (CONTINUED)**

**LED SPECIFICATIONS**

LUMEN MAINTENANCE

L90(6K) > 36,300 Hours, LED16.8 Source is L90(11K) > 61,000 Hours.

COLOR TEMPERATURES

Standard Color Temperatures Available Include 2700K, 3000K, 3500K and 4000K. Custom Temperatures Available upon Request.

CRI

Minimum 90 CRI. Consult Factory for Other CRI Options

EFFICACY

Up to 100 LPW Based on Wattage/Lumens in the Table

DRIVER & DIMMING OPTION

850 and 1250 Lumen, Reliant on Triac Dimming 12W / 120V Mounted in Canopy, Dimming down to 5%.

2000, 3000 & 4000 Lumen Reliant on 0-10v Dimmer, Dimming down to 10%.

Requires Compatible Dimming Switch