



BLE - W - \_\_\_\_\_ - \_\_\_\_\_ - \_\_\_\_\_ - \_\_\_\_\_ - \_\_\_\_\_ - \_\_\_\_\_ - \_\_\_\_\_ - \_\_\_\_\_ - \_\_\_\_\_  
 A B C D E F G H  
 I

Order Example: BLE - W - WHB13 - 420 - TGG - RIB - 420 - L-WL - SBK - NA - E26

**A - SHADE SIZE****BOMBER:**

<b>WHB11</b>	11" Shade
<b>WHB13</b>	13" Shade
<b>WHB15</b>	15" Shade

**B - FIXTURE FINISH****PORCELAIN FINISHES<sup>1</sup>:**

<b>150</b>	Black
<b>250</b>	White
<b>350</b>	Vintage Green
<b>355</b>	Jadite
<b>455</b>	Cherry Red
<b>550</b>	Yellow
<b>650</b>	Bronze
<b>750</b>	Cobalt Blue
<b>765</b>	Delphite Blue
<b>850</b>	Graphite
<b>950</b>	Metallic Chrome

**POWDER COAT FINISHES<sup>2</sup>:**

<b>100</b>	Black
<b>105</b>	Textured Black
<b>106</b>	Matte Black
<b>200</b>	White
<b>206</b>	Matte White
<b>300</b>	Dark Green
<b>307</b>	Emerald Green
<b>311</b>	Jadite
<b>370</b>	Mint
<b>380</b>	Chartreuse
<b>390</b>	Teal
<b>400</b>	Barn Red
<b>420</b>	Orange
<b>470</b>	Watermelon
<b>480</b>	Blush Pink
<b>490</b>	Magenta
<b>495</b>	Sherbet Orange
<b>500</b>	Buttery Yellow
<b>570</b>	Sunflower
<b>600</b>	Bronze
<b>601</b>	Chocolate
<b>605</b>	Rust
<b>615</b>	Oil-Rubbed Bronze
<b>700</b>	Royal Blue
<b>705</b>	Navy
<b>710</b>	Cobalt Blue
<b>715</b>	Delphite Blue
<b>790</b>	Lavender
<b>800</b>	Industrial Grey
<b>805</b>	Charcoal Granite
<b>810</b>	Graphite
<b>975</b>	Galvanized

**C - OPTIONAL ACCESSORY**

<b>NA</b>	None
<b>WC</b>	Wire Cage
<b>TGG</b>	Heavy Duty Guard
<b>CGG</b>	Cast Guard
<b>WGG</b>	Wire Guard

**D - GLASS OPTION<sup>3,4</sup>**

<b>NA</b>	Not Applicable
<b>CLR</b>	Clear Glass
<b>FST</b>	Frosted Glass
<b>RIB</b>	Ribbed Glass
<b>BLU</b>	Blue Glass
<b>RED</b>	Red Glass
<b>AMB</b>	Amber Glass
<b>GRN</b>	Green Glass

**E - OPTIONAL ACCESSORY FINISH**

Please Note: See **Section B** for all optional accessory finish options.

(I) If a porcelain finish is selected, accessory will be powder coat painted-to-match.

(II) If no accessory is selected in Section C, please select NA.

<b>NA</b>	Not Applicable
-----------	----------------

**F - PLUG-IN OPTION**

<b>NA</b>	None
<b>L-WL</b>	Plug with Inline On/Off Switch <sup>5</sup>

**G - PLUG-IN CORD OPTION**

<b>NA</b>	Not Applicable
-----------	----------------

**CSA LISTED CORD OPTIONS:**

<b>SBK</b>	Standard Black Cord
<b>SWH</b>	Standard White Cord
<b>CMG</b>	Grey Cotton
<b>CRZ</b>	Red Chevron
<b>CSB</b>	Black Cloth Cord
<b>CSW</b>	White Cloth Cord
<b>CSR</b>	Red Cloth Cord
<b>CSBW</b>	Black & White Cloth
<b>CSRW</b>	Red & White Cloth
<b>CSBG</b>	Black & Gold Cloth
<b>CSBP</b>	Black & Pink Cloth
<b>CSGW</b>	Gold & White Cloth
<b>CSUW</b>	Blue & White Cloth
<b>CSBB</b>	Black & Brown Cloth

**H - DUSK-TO-DAWN PHOTOCELL<sup>6</sup>**

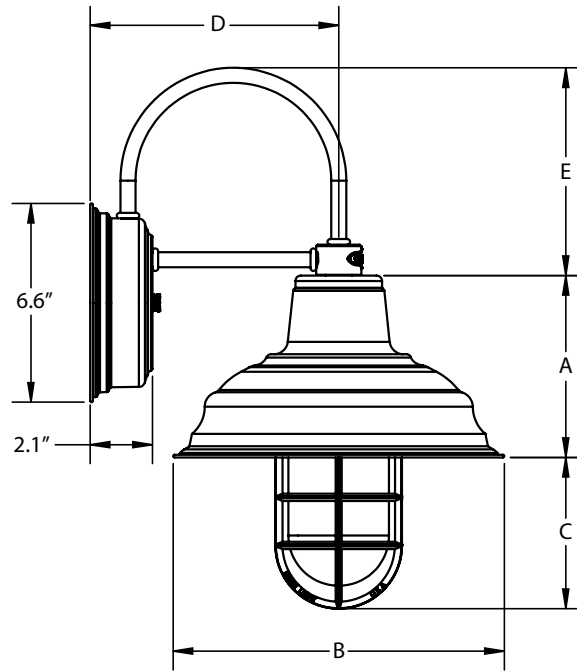
<b>NA</b>	None/Not Applicable
<b>DD</b>	Dusk-to-Dawn Photocell

**I - LIGHT SOURCE**

<b>E26</b>	200 Watt Max
<b>GU24</b>	23 Watt Max <sup>7</sup>

**IMPORTANT:** (1) All Porcelain Enamel finished shades feature a white interior and a black outer rim (2) All Powder Coat finished shades, with the exception of Galvanized, feature a white interior (3) Guard and Glass accessory reduces incandescent wattage to 100W Max and GU24 Bi-Pin to 18W Max (4) Not available with Wire Cage [WC] option (5) SWH-Standard White Cord and CSW-White Cloth Cord include a white plug and switch, all other cord options will include a black plug and switch (6) Dusk-to-Dawn Photocell not applicable if Plug-In Option selected in Section F (7) Fixture configured with GU24 socket are non-returnable

**MOUNTING DIMENSIONS**



SHOWN WITH: OPTIONAL GUARD & GLASS ACCESSORY

SHADE CODE	HEIGHT (A)	DIAMETER (B)	EXTENSION (C)	PROJECTION (D)	ARM HEIGHT (E)
WHB11	6"	11"	5"	8.3"	6.9"
WHB13	6"	13"	4.8"	8.3"	6.9"
WHB15	7"	15"	3.8"	10.3"	8.3"

**SPECIFICATIONS**

**CERTIFICATIONS, LISTINGS & WARRANTY**

MADE IN THE USA  
 Manufactured and Hand-Crafted in Our 60,000 Square Foot Facility Located in Titusville, FL

CSA LISTED FOR WET LOCATIONS  
 Plug-In Option CSA Listed for Dry Location Only

LIMITED WARRANTY  
 For Additional Information on Our Limited Warranty, Please See Our Terms & Conditions

UL CERTIFICATION  
 UL Listed Fixtures Available upon Request. Please Consult Factory for Additional Information.

**CONSTRUCTION & FINISH (CONTINUED)**

POWDER COAT FINISHES  
 Polyester Powder Coat Finishes Are Electro-Statically Applied and Thermocured

PORCELAIN FINISHES  
 Applied by Hand and Fired in a High Temperature Oven

BACKING PLATE  
 Hand-Spun from High Purity 3003-O Temper Aluminum

WALL SCONCE ARM  
 1/4" Nominal (0.50" Actual) Steel/Aluminum Mounting Arm

CORD & PLUG  
 Complete with 8 Feet of Cord, 2-Prong Polarized Plug and Inline On/Off Switch

MAX FIXTURE WEIGHT  
 10 lbs

**CONSTRUCTION & FINISH**

POWDER COAT SHADE  
 Hand-Spun from High Purity 3003-O Temper Aluminum

PORCELAIN SHADE  
 Hand-Spun from 20 Gauge Porcelain Steel

GALVANIZED SHADE  
 Hand Spun from High Quality Galvanized Steel

**LIGHT SOURCE**

INCANDESCENT  
 Medium Base E26 Socket, 120 VAC, 200W Max

COMPACT FLUORESCENT  
 Bi-Pin Base GU24 Socket, 120 VAC, 23W Max