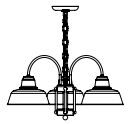




SPS-0068 REV B

# CALICO CHANDELIER

JOB NAME: \_\_\_\_\_ FIXTURE TYPE: \_\_\_\_\_



BLE - C - \_\_\_\_\_ - \_\_\_\_\_ - \_\_\_\_\_ - \_\_\_\_\_ - \_\_\_\_\_ - \_\_\_\_\_  
A B C D E F

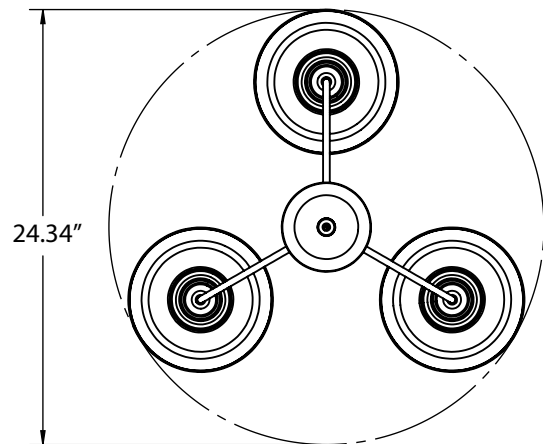
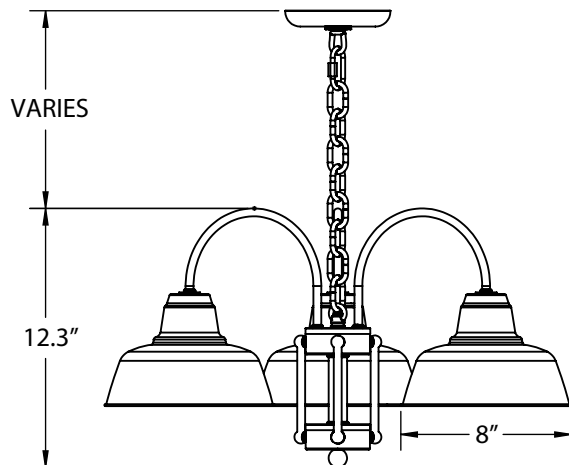
Order Example: BLE - C - CH020 - 370 - CN48 - SWH - NA - NA

<p><b>A - LIGHT OPTION</b></p> <p><i>CALICO CHANDELIER<sup>1</sup>:</i></p> <p><b>CH020</b> 3-Light Chandelier <b>CH023</b> 5-Light Chandelier</p>	<p><b>B - FINISHES (CONTINUED)</b></p> <p><i>POWDER COAT FINISHES:</i></p> <p><b>710</b> Cobalt Blue <b>715</b> Delphite Blue <b>790</b> Lavender <b>800</b> Industrial Grey <b>805</b> Charcoal Granite <b>810</b> Graphite <b>975</b> Galvanized</p>	<p><b>D - CORDS</b></p> <p><i>CSA LISTED CORD OPTIONS:</i></p> <p><b>SBK</b> Standard Black <b>SWH</b> Standard White <b>CSB</b> Black Cloth <b>CSW</b> White Cloth <b>CSR</b> Red Cloth <b>CSBW</b> Black &amp; White Cloth <b>CSRW</b> Red &amp; White Cloth <b>CSBG</b> Black &amp; Gold Cloth <b>CSBP</b> Black &amp; Pink Cloth <b>CSGW</b> Gold &amp; White Cloth <b>CSUW</b> Blue &amp; White Cloth <b>CSBB</b> Black &amp; Brown Cloth <b>CRZ</b> Red Chevron <b>CMG</b> Grey Cotton</p>	<p><b>E - SHADE ACCESSORY</b></p> <p><b>NA</b> None <b>WC</b> Wire Cage</p>
<p><b>B - FINISHES</b></p> <p><i>POWDER COAT FINISHES:</i></p> <p><b>100</b> Black <b>105</b> Textured Black <b>106</b> Matte Black <b>200</b> White <b>206</b> Matte White <b>300</b> Dark Green <b>307</b> Emerald Green <b>311</b> Jadite <b>370</b> Mint <b>380</b> Chartreuse <b>390</b> Teal <b>400</b> Barn Red <b>420</b> Orange <b>470</b> Watermelon <b>480</b> Blush Pink <b>490</b> Magenta <b>495</b> Sherbet Orange <b>500</b> Buttery Yellow <b>570</b> Sunflower <b>600</b> Bronze <b>601</b> Chocolate <b>605</b> Rust <b>615</b> Oil-Rubbed Bronze <b>700</b> Royal Blue <b>705</b> Navy</p>	<p><b>C - CHAIN OPTION</b></p> <p><i>CHAIN MOUNT OPTIONS:</i></p> <p><b>CN36</b> 3' of Chain <b>CN48</b> 4' of Chain <b>CN60</b> 5' of Chain <b>CN72</b> 6' of Chain</p>		<p><b>F - SHADE ACCESSORY FINISH</b></p> <p><small>Please Note: See <b>Section B</b> for Finish Options. If no accessory is selected in Section E, select NA.</small></p> <p><b>NA</b> Not Applicable</p>

**IMPORTANT:** (1) The 3-Light Chandelier is 200W Max per socket, the 5-Light Chandelier is 100W Max per socket

## MOUNTING DIMENSIONS

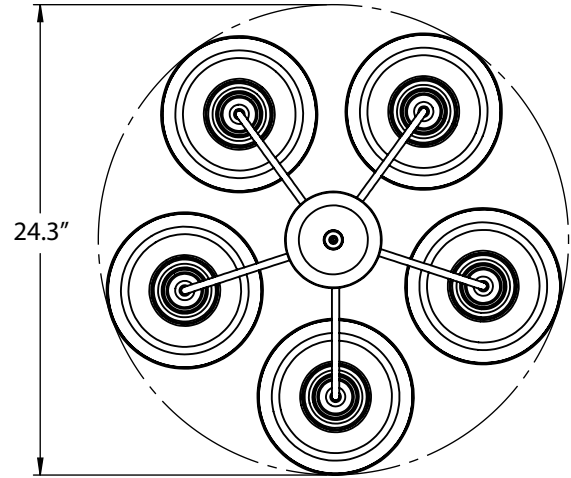
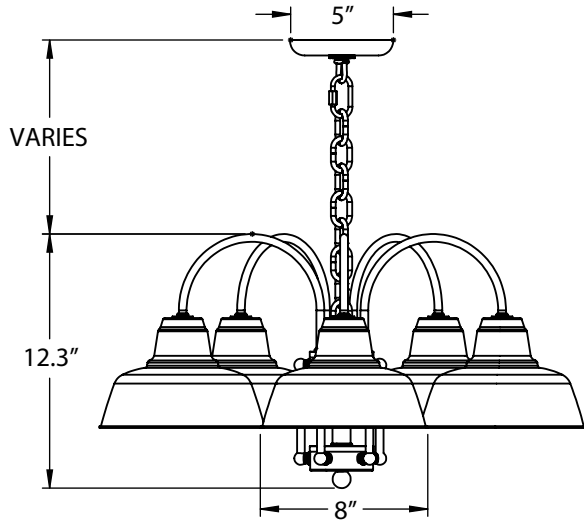
### CALICO 3-LIGHT CHANDELIER (CH020)



TOP VIEW

**MOUNTING DIMENSIONS (CONTINUED)**

**CALICO 5-LIGHT CHANDELIER (CHO23)**



TOP VIEW

**SPECIFICATIONS**

**CERTIFICATIONS, LISTINGS & WARRANTY**

MADE IN THE USA  
 Manufactured and Hand-Crafted in Our 60,000 Square Foot Facility  
 Located in Titusville, FL

CSA LISTED FOR DAMP LOCATIONS

LIMITED WARRANTY  
 For Additional Information on Our Limited Warranty, Please See  
 Our Terms & Conditions

**LIGHT SOURCE**

3-LIGHT CHANDELIER  
 (3) Medium Base E26 Sockets, 120 VAC, 200 Watt Max (per socket)

5-LIGHT CHANDELIER  
 (5) Medium Base E26 Sockets, 120 VAC, 100 Watt Max (per socket)

**CONSTRUCTION & FINISH**

SHADE & CANOPY  
 Hand-Spun from High Purity 3003-O Temper Aluminum

GALVANIZED SHADE  
 Hand Spun from High Quality Galvanized Steel

MOUNTING ARMS  
 Brass Electroplated Steel Tubing

CHAIN  
 4-Guage Chain Complete with Quick Link for On-Site Adjustments  
 to Chain's Length

POWDER COAT FINISHES  
 Polyester Powder Coat Finishes Are Electro-Statically Applied and  
 Thermocured