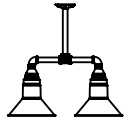




SPS-0065 REV C

CANAL SOHO 2-LIGHT CHANDELIER

JOB NAME: _____ FIXTURE TYPE: _____



BLE - S - CH021 - _____ - _____ - _____ - _____ - _____
A B C D E

Order Example: BLE - S - CH021 - 400 - ST736 - HSC - 400 - E26

A - SHADE FINISH

POWDER COAT FINISHES¹:

- 100 Black
- 105 Textured Black
- 106 Matte Black
- 200 White
- 206 Matte White
- 300 Dark Green
- 307 Emerald Green
- 311 Jadite
- 370 Mint
- 380 Chartreuse
- 390 Teal
- 400 Barn Red
- 420 Orange
- 470 Watermelon
- 480 Blush Pink
- 490 Magenta
- 495 Sherbet Orange
- 500 Buttery Yellow
- 570 Sunflower
- 600 Bronze
- 601 Chocolate

A - SHADE FINISH (CONTINUED)

POWDER COAT FINISHES¹:

- 605 Rust
- 615 Oil-Rubbed Bronze
- 700 Royal Blue
- 705 Navy
- 710 Cobalt Blue
- 715 Delphite Blue
- 790 Lavender
- 800 Industrial Grey
- 805 Charcoal Granite
- 810 Graphite
- 975 Galvanized

B - MOUNTING

STEM MOUNT OPTIONS:

- ST706 .75" Stem Mount, 6"
- ST712 .75" Stem Mount, 12"
- ST718 .75" Stem Mount, 18"
- ST724 .75" Stem Mount, 24"
- ST736 .75" Stem Mount, 36"
- ST748 .75" Stem Mount, 48"

C - CANOPY

- SC Standard Canopy
- HSC Hang Straight Canopy
- HDSMC Heavy Duty Stem Mount Canopy

D - MOUNTING FINISH

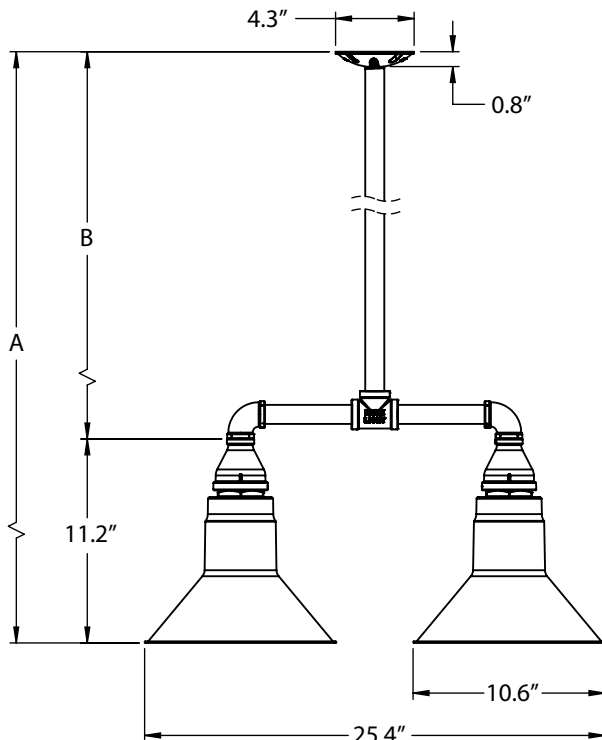
Please Note: See **Section A** for Finish Options. Mounting finish includes all components excluding the shades.

E - LIGHT SOURCE

- E26 200 Watt Max
- GU24 24 Bi-Pin CFL, 23W Max²

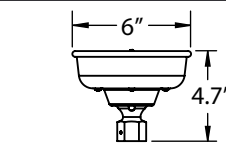
IMPORTANT: (1) All Powder Coat finished shades, excluding 975-Galvanized, feature a white interior (2) Fixtures configured with GU24 socket are non-returnable

MOUNTING DIMENSIONS

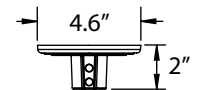


STEM LENGTH	OVERALL HEIGHT (A)	MOUNTING HEIGHT (B)
06 (6" Stem)	19.6"	8.4"
12 (12" Stem)	25.6"	14.4"
18 (18" Stem)	31.6"	20.4"
24 (24" Stem)	37.6"	26.4"
36 (36" Stem)	49.6"	38.4"
48 (48" Stem)	61.6"	50.4"

CANOPY VARIATIONS



HANG STRAIGHT CANOPY (HSC)



HEAVY DUTY STEM MOUNT CANOPY (HDSMC)

SPECIFICATIONS

CERTIFICATIONS, LISTINGS & WARRANTY

MADE IN THE USA
Manufactured and Hand-Crafted in Our 60,000 Square Foot Facility
Located in Titusville, FL

CSA LISTED FOR DAMP LOCATIONS

LIMITED WARRANTY
For Additional Information on Our Limited Warranty, Please See
Our Terms & Conditions

LIGHT SOURCE

INCANDESCENT
(2x) Medium Base E26 Socket, 120 VAC, 200 Watt Max

COMPACT FLUORESCENT
(2x) Bi-Pin Base GU24 Socket, 120 VAC, 23 Watt Max

CONSTRUCTION & FINISH

POWDER COAT SHADE
Hand-Spun from High Purity 3003-O Temper Aluminum

GALVANIZE SHADE
Hand Spun from High Quality Galvanized Steel

POWDER COAT FINISHES
Polyester Powder Coat Finishes Are Electro-Staticly Applied and
Thermocured on the Shade

STEM
3/4" Nominal (1.05" Actual) Sch 40, 6063 Aluminum Mounting
Stem. Custom Lengths Available upon Request.