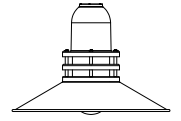




SPS-0657 REV A

**CHEROKEE LED UPLIGHT SERIES**

JOB NAME: \_\_\_\_\_ FIXTURE TYPE: \_\_\_\_\_



BLE - \_\_\_\_\_ - \_\_\_\_\_ - \_\_\_\_\_ - \_\_\_\_\_ - \_\_\_\_\_ - \_\_\_\_\_ - \_\_\_\_\_ - \_\_\_\_\_

A                      B                      C                      D                      E                      F                      G

LED16.8 - \_\_\_\_\_

H                      I

Order Example: BLE - C - ULC18 - 420 - CSRW - 200 - RIB - NA - LED16.8 - 2700K

**A - MOUNTING STYLE**

- C** Cord Hung  
**S** Stem Mount  
**G** Gooseneck  
**F** Flush Mount

**B - SHADE & SHADE SIZE****CHEROKEE UPLIGHT:**

- ULC12** 12" Shade  
**ULC14** 14" Shade  
**ULC16** 16" Shade  
**ULC18** 18" Shade

**C - SHADE FINISH****POWDER COAT FINISHES<sup>1</sup>:**

- 100** Black  
**105** Textured Black  
**106** Matte Black  
**200** White  
**206** Matte White  
**300** Dark Green  
**307** Emerald Green  
**311** Jadite  
**370** Mint  
**380** Chartreuse  
**390** Teal  
**400** Barn Red  
**420** Orange  
**470** Watermelon  
**480** Blush Pink  
**490** Magenta  
**495** Sherbet Orange  
**500** Buttery Yellow  
**570** Sunflower  
**600** Bronze  
**601** Chocolate  
**605** Rust  
**615** Oil-Rubbed Bronze  
**700** Royal Blue  
**705** Navy  
**710** Cobalt Blue  
**715** Delphite Blue  
**790** Lavender  
**800** Industrial Grey  
**805** Charcoal Granite  
**810** Graphite  
**975** Galvanized

**NATURAL METALS<sup>2</sup>:**

- 995** Raw Copper  
**996** Weathered Copper  
**997** Raw Brass  
**998** Weathered Brass  
**999** Oil-Rubbed Copper

**D - MOUNTING**

Please Note: If Flush Mount [F] is selected in Section A, please select NA

- NA** Not Applicable

**CSA LISTED CORD OPTIONS:**

- SBK** Standard Black  
**SWH** Standard White  
**CSB** Black Cloth  
**CSW** White Cloth  
**CSR** Red Cloth  
**CSBB** Black & Brown Cloth  
**CSRW** Red & White Cloth  
**CSGW** Gold & White Cloth  
**CSBG** Black & Gold Cloth  
**CSBW** Black & White Cloth  
**CSBP** Black & Pink Cloth  
**CSUW** Blue & White Cloth  
**CMG** Grey Cotton  
**CRZ** Red Chevron

**NON-CSA LISTED CORD OPTIONS:**

- TBK** Black Cotton Twist  
**TWH** White Cotton Twist  
**TBR** Brown Cotton Twist  
**TRD** Red Cotton Twist  
**TPT** Putty Cotton Twist  
**TBW** Black & White Twist  
**TRW** Red & White Twist  
**TBB** Brown & Beige Twist

**STEM MOUNT OPTIONS:**

- ST506** .5" Stem Mount, 6"<sup>3</sup>  
**ST512** .5" Stem Mount, 12"<sup>3</sup>  
**ST518** .5" Stem Mount, 18"<sup>3</sup>  
**ST524** .5" Stem Mount, 24"<sup>3</sup>  
**ST536** .5" Stem Mount, 36"<sup>3</sup>  
**ST548** .5" Stem Mount, 48"<sup>3</sup>  
**ST706** .75" Stem Mount, 6"  
**ST712** .75" Stem Mount, 12"  
**ST718** .75" Stem Mount, 18"  
**ST724** .75" Stem Mount, 24"  
**ST736** .75" Stem Mount, 36"  
**ST748** .75" Stem Mount, 48"

**D - MOUNTING (CONTINUED)****GOOSENECK OPTIONS:**

- |                         |                        |
|-------------------------|------------------------|
| <b>G1<sup>3</sup></b>   | <b>G16<sup>3</sup></b> |
| <b>G2<sup>3</sup></b>   | <b>G17</b>             |
| <b>G3<sup>3,4</sup></b> | <b>G19<sup>3</sup></b> |
| <b>G4<sup>4</sup></b>   | <b>G22</b>             |
| <b>G5<sup>3</sup></b>   | <b>G24</b>             |
| <b>G6<sup>3</sup></b>   | <b>G25</b>             |
| <b>G7</b>               | <b>G26<sup>3</sup></b> |
| <b>G8</b>               | <b>G32</b>             |
| <b>G9</b>               | <b>G34<sup>3</sup></b> |
| <b>G10</b>              | <b>G35<sup>3</sup></b> |
| <b>G11<sup>3</sup></b>  | <b>G36<sup>3</sup></b> |
| <b>G12<sup>3</sup></b>  | <b>G40<sup>3</sup></b> |
| <b>G13</b>              | <b>G64<sup>3</sup></b> |
| <b>G14</b>              | <b>G65<sup>3</sup></b> |
| <b>G15</b>              |                        |

**E - MOUNTING FINISH**

Please Note: See Section C for Finish Options. 980-Brushed Aluminum is also available for Gooseneck (except G36, G40, G64 & G65) and Stem mounting styles. If Porcelain Finish is selected, mounting will be powder coat painted-to-match.

(I) If Cord Hung [C] or Flush Mount [F] Mounting Style, selection identifies canopy finish

(II) If Chain Hung [CN] Mounting Style, selection identifies chain and canopy finish  
 (III) If Stem Mount [S] Mounting Style, selection identifies stem and canopy finish

- 980** Brushed Aluminum

**F - GLASS OPTION**

- CLR** Clear Glass  
**FST** Frosted Glass  
**RIB** Ribbed Glass  
**BLU** Blue Glass  
**RED** Red Glass  
**AMB** Amber Glass  
**GRN** Green Glass

**G - MOUNTING ACCESSORY**

- NA** None/Not Applicable  
**HSC** Hang Straight Canopy<sup>3,5</sup>  
**HDSMC** Heavy Duty Stem Mount Canopy<sup>3,5</sup>  
**HDBP** Heavy Duty Backing Plate<sup>3,6,7</sup>  
**DD** Dusk-to-Dawn Photocell<sup>6,7</sup>  
**DBPC** Decorative Backing Plate Cover<sup>6,7</sup>  
**DCHX** Decorative Backing Plate Cover & Hex Cover<sup>6,7</sup>

**H - LIGHT SOURCE**

- LED16.8** 1600 Lumen, 16W LED

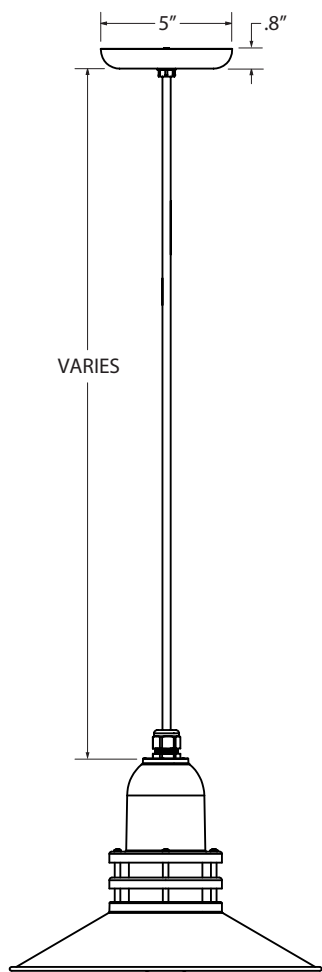
**I - COLOR TEMPERATURE**

- 2700K** 2700K, Warm White  
**3000K** 3000K, Neutral White  
**3500K** 3500K, Bright White  
**4000K** 4000K, Cool White

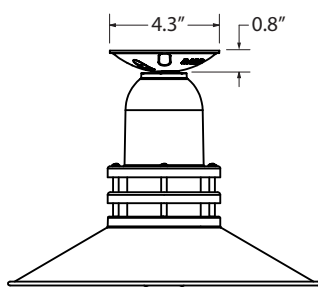
**IMPORTANT:** (1) All Powder Coat finished shades, Galvanized excluded, feature a white interior (2) Natural Metals have a longer estimated manufacturing time, please check the website for exact lead time. There are no returns accepted on Natural Metals (3) Not available in Natural Metals (4) Not compatible with 16" sized shade or larger (5) Only applicable if Stem Mounting Style selected in Section A (6) Only applicable if Gooseneck Style selected in Section A (7) Not available with G19 & G40

**MOUNTING STYLE**

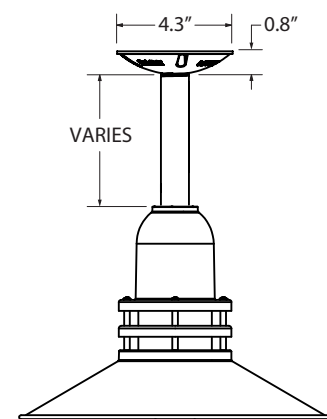
**CORD HUNG PENDANT (C)**



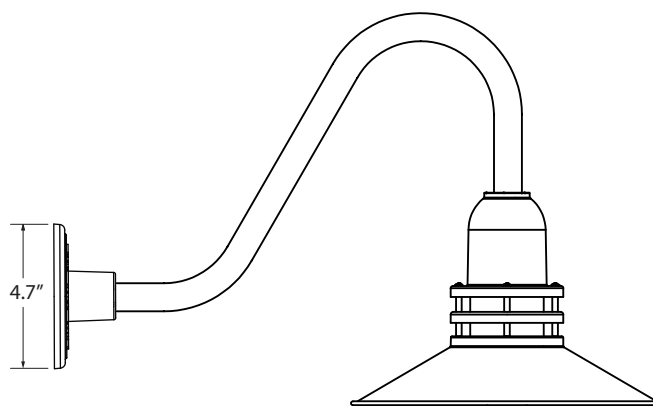
**FLUSH MOUNT (F)**



**STEM MOUNT PENDANT (S)**

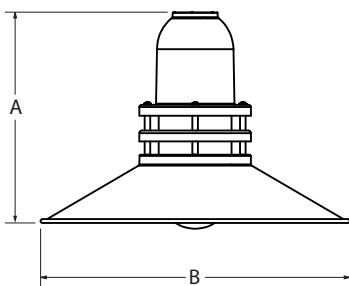


**GOOSENECK (G)**



SHOWN WITH: G26 GOOSENECK ARM

**AVAILABLE SHADE SIZES**



SHADE CODE	HEIGHT (A)	DIAMETER (B)
ULC12	9.5"	12"
ULC14	10"	14"
ULC16	10.75"	16"
ULC18	11.25"	18"

**SPECIFICATIONS****CERTIFICATIONS, LISTINGS & WARRANTY**

MADE IN THE USA  
**Manufactured and Hand-Crafted in Our 60,000 Square Foot Facility  
 Located in Titusville, FL**

CSA LISTED FOR WET LOCATIONS  
**Includes All Gooseneck, Stem and Flush Mounting Styles**

CSA LISTED FOR DAMP LOCATIONS  
**Includes All Chain and Select Cord Hung Mounting Styles**

LIMITED WARRANTY  
**For Additional Information on Our Limited Warranty, Please See  
 Our Terms & Conditions**

OPERATING TEMPERATURE  
**-30°C to 40°C**

**CONSTRUCTION & FINISHES**

POWDER COAT SHADE  
**Hand-Spun from High Purity 3003-O Temper Aluminum**

GALVANIZE SHADE  
**Hand Spun from High Quality Galvanized Steel**

POWDER COAT FINISHES  
**Polyester Powder Coat Finishes Are Electro-Statically Applied and  
 Thermocured**

COPPER  
**Hand-Spun from High Purity C11000-O60 ETP Copper**

BRASS  
**Hand-Spun from High Purity C2600-O60 Brass**

STEM  
**1/2" Nominal (0.84" Actual) or 3/4" Nominal (1.05" Actual) Sch 40,  
 6063 Aluminum Mounting Stem. Custom Lengths Available upon  
 Request.**

GOOSENECK  
**1/2" Nominal (0.84" Actual) or 3/4" Nominal (1.05" Actual) Sch 40,  
 6063 Aluminum Gooseneck**

CORD  
**Cord-Hung Pendants Include 7' of Standard Cord or 5' of Cloth  
 Cord, +/- For Socket Orientation**

CHAIN  
**4-Gauge Chain Complete with Quick Link for On-Site Adjustments  
 to Chain's Length**

**LED16.8 LIGHT SOURCE**

LED TYPE: CREE CXB SERIES COB

INITIAL LUMENS DELIVERED: UP TO 1600 LUMENS

L90 (11K) > 61,000 HOURS

AVAILABLE CCT: 2700K, 3000K, 3500K, 4000K  
**Custom Temperatures Available upon Request**

90+ CRI (R9 TYPICAL 60)  
**80+ CRI and 95+ CRI (R9 Typical 85) Available upon Request**

2 STEP MACADAMS ELLIPSE

EFFICACY: UP TO 95 LPW  
**High Efficacy Available upon Request, Consult Factory for Addition-  
 al Information**

**LED16.8 ELECTRICAL/LED DRIVER**

DRIVER TYPE: ERP EBRO20U-0400-42

DRIVE CURRENT: 400mA

POWER FACTOR > 0.9

EFFICIENCY: UP TO 85% TYPICAL

INPUT VOLTAGE: 120 VAC

CLASS 2 POWER SUPPLY

LED DRIVER LIFETIME: > 100,000 HOURS (@ 25 DEG C AMBIENT)

IP20 MINIMUM RATING CASE WITH SILICONE-BASED POTTING

PROTECTIONS  
**Output Open Load, Over-Current and Short-Circuit (hiccup), and  
 Over-Temperature with Auto Recovery**

CONDUCTED AND RADIATED EMI  
**Compliant with FCC CFR Title 47 Part 15 Class B (120 VAC), Class A  
 (277 VAC) and EN55015 (CISPR 15) at 220, 230 and 240 VAC**

COMPLIANT WITH  
**Complies with Energy Star® DLR (DesignLight Consortium®) and CA  
 Title 24 Technical Requirements**

**DIMMING**

LED 16.8  
**Triac & ELV Dimming at 120VAC, Able to Dim down to 1%.  
 Dependent on Specific Dimmer.  
 0-10V Dimming Available upon Request.**

COMPATIBLE DIMMERS  
**Consult Factory for Additional Information on Dimming**