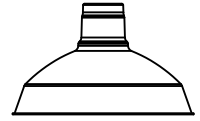




SPS-0455 REV B

**DINO INTEGRATED LED SERIES**

JOB NAME: \_\_\_\_\_ FIXTURE TYPE: \_\_\_\_\_



BLE - \_\_\_\_\_ - \_\_\_\_\_ - \_\_\_\_\_ - \_\_\_\_\_ - \_\_\_\_\_ - \_\_\_\_\_ - \_\_\_\_\_ - \_\_\_\_\_

**A**                  **B**                  **C**                  **D**                  **E**                  **F**                  **G**

                  \_\_\_\_\_ - \_\_\_\_\_ - \_\_\_\_\_ - \_\_\_\_\_ - \_\_\_\_\_ - \_\_\_\_\_ - \_\_\_\_\_ - \_\_\_\_\_

**H**                  **I**                  **J**                  **K**                  **L**

Order Example: BLE - S - WHD12 - 100 - ST518 - 975 - NA - WC - 100 - NA - LED16 - 3000K - DL

**A - MOUNTING STYLE**

|           |                          |
|-----------|--------------------------|
| <b>C</b>  | Cord Hung                |
| <b>CN</b> | Chain Hung               |
| <b>F</b>  | Flush Mount <sup>1</sup> |
| <b>G</b>  | Gooseneck                |
| <b>S</b>  | Stem Mount               |

**B - SHADE SIZE**

**DINO:**

|              |           |
|--------------|-----------|
| <b>WHD12</b> | 12" Shade |
| <b>WHD14</b> | 14" Shade |

**C - SHADE FINISH****PORCELAIN FINISHES<sup>2</sup>:**

|            |                 |
|------------|-----------------|
| <b>150</b> | Black           |
| <b>250</b> | White           |
| <b>350</b> | Vintage Green   |
| <b>355</b> | Jadite          |
| <b>455</b> | Cherry Red      |
| <b>550</b> | Yellow          |
| <b>650</b> | Bronze          |
| <b>750</b> | Cobalt Blue     |
| <b>765</b> | Delphite Blue   |
| <b>850</b> | Graphite        |
| <b>950</b> | Metallic Chrome |

**POWDER COAT FINISHES<sup>3</sup>:**

|            |                   |
|------------|-------------------|
| <b>100</b> | Black             |
| <b>105</b> | Textured Black    |
| <b>106</b> | Matte Black       |
| <b>200</b> | White             |
| <b>206</b> | Matte White       |
| <b>300</b> | Dark Green        |
| <b>307</b> | Emerald Green     |
| <b>311</b> | Jadite            |
| <b>370</b> | Mint              |
| <b>380</b> | Chartreuse        |
| <b>390</b> | Teal              |
| <b>400</b> | Barn Red          |
| <b>420</b> | Orange            |
| <b>470</b> | Watermelon        |
| <b>480</b> | Blush Pink        |
| <b>490</b> | Magenta           |
| <b>495</b> | Sherbet Orange    |
| <b>500</b> | Buttery Yellow    |
| <b>570</b> | Sunflower         |
| <b>600</b> | Bronze            |
| <b>601</b> | Chocolate         |
| <b>605</b> | Rust              |
| <b>615</b> | Oil-Rubbed Bronze |
| <b>700</b> | Royal Blue        |
| <b>705</b> | Navy              |
| <b>710</b> | Cobalt Blue       |

**C - SHADE FINISH (CONTINUED)****POWDER COAT FINISHES<sup>3</sup>:**

|            |                  |
|------------|------------------|
| <b>715</b> | Delphite Blue    |
| <b>790</b> | Lavender         |
| <b>800</b> | Industrial Grey  |
| <b>805</b> | Charcoal Granite |
| <b>810</b> | Graphite         |
| <b>975</b> | Galvanized       |

**NATURAL METALS<sup>4</sup>:**

|            |                   |
|------------|-------------------|
| <b>995</b> | Raw Copper        |
| <b>996</b> | Weathered Copper  |
| <b>997</b> | Raw Brass         |
| <b>998</b> | Weathered Brass   |
| <b>999</b> | Oil-Rubbed Copper |

**D - MOUNTING**

Please Note: If Flush Mount [F] is selected in Section A, please select NA

|           |                |
|-----------|----------------|
| <b>NA</b> | Not Applicable |
|-----------|----------------|

**CSA LISTED CORDS:**

|             |                     |
|-------------|---------------------|
| <b>SBK</b>  | Standard Black      |
| <b>SWH</b>  | Standard White      |
| <b>CSB</b>  | Black Cloth         |
| <b>CSW</b>  | White Cloth         |
| <b>CMG</b>  | Grey Cloth          |
| <b>CSR</b>  | Red Cloth           |
| <b>CRZ</b>  | Red Chevron Cloth   |
| <b>CSBB</b> | Black & Brown Cloth |
| <b>CSRW</b> | Red & White Cloth   |
| <b>CSGW</b> | Gold & White Cloth  |
| <b>CSBG</b> | Black & Gold Cloth  |
| <b>CSBW</b> | Black & White Cloth |
| <b>CSBP</b> | Black & Pink Cloth  |
| <b>CSUW</b> | Blue & White Cloth  |

**CHAIN MOUNT OPTIONS<sup>5</sup>:**

|             |             |
|-------------|-------------|
| <b>CN36</b> | 3' of Chain |
| <b>CN48</b> | 4' of Chain |
| <b>CN60</b> | 5' of Chain |
| <b>CN72</b> | 6' of Chain |

**GOOSENECK OPTIONS:**

|                       |                        |                        |
|-----------------------|------------------------|------------------------|
| <b>G1<sup>5</sup></b> | <b>G11<sup>5</sup></b> | <b>G26<sup>5</sup></b> |
| <b>G2<sup>5</sup></b> | <b>G12<sup>5</sup></b> | <b>G32</b>             |
| <b>G3<sup>5</sup></b> | <b>G13</b>             | <b>G34<sup>5</sup></b> |
| <b>G4</b>             | <b>G14</b>             | <b>G35<sup>5</sup></b> |
| <b>G5<sup>5</sup></b> | <b>G15</b>             | <b>G36<sup>5</sup></b> |
| <b>G6</b>             | <b>G16<sup>5</sup></b> | <b>G64<sup>5</sup></b> |
| <b>G7</b>             | <b>G17</b>             | <b>G65<sup>5</sup></b> |
| <b>G8</b>             | <b>G22</b>             |                        |
| <b>G9</b>             | <b>G24</b>             |                        |
| <b>G10</b>            | <b>G25</b>             |                        |

**D - MOUNTING (CONTINUED)****STEM MOUNT OPTIONS:**

|              |                                  |
|--------------|----------------------------------|
| <b>ST506</b> | .5" Stem Mount, 6" <sup>5</sup>  |
| <b>ST512</b> | .5" Stem Mount, 12" <sup>5</sup> |
| <b>ST518</b> | .5" Stem Mount, 18" <sup>5</sup> |
| <b>ST524</b> | .5" Stem Mount, 24" <sup>5</sup> |
| <b>ST536</b> | .5" Stem Mount, 36" <sup>5</sup> |
| <b>ST548</b> | .5" Stem Mount, 48" <sup>5</sup> |
| <b>ST706</b> | .75" Stem Mount, 6"              |
| <b>ST712</b> | .75" Stem Mount, 12"             |
| <b>ST718</b> | .75" Stem Mount, 18"             |
| <b>ST724</b> | .75" Stem Mount, 24"             |
| <b>ST736</b> | .75" Stem Mount, 36"             |
| <b>ST748</b> | .75" Stem Mount, 48"             |

**E - MOUNTING FINISH**

Please Note: See Section C for Finish Options. 980-Brushed Aluminum is also available for Gooseneck (Not Available with G36, G40, G64 & G65) and Stem mounting styles. If a Porcelain shade finish is selected, mounting will be powder coat painted-to-match. Porcelain shade finishes are not available with a Natural Metal mounting finish

(I) If Cord Hung [C], selection identifies canopy finish

(II) If Chain Hung [CN] Mounting Style, selection identifies chain and canopy finish. Natural Metals are not applicable

(III) If Stem Mount [S] Mounting Style, selection identifies stem and canopy finish

(IV) If Flush Mount [F] Mounting Style, selection identifies hex coupler and canopy finish. Natural Metals are not applicable

|            |                  |
|------------|------------------|
| <b>980</b> | Brushed Aluminum |
|------------|------------------|

**F - CORDS<sup>6</sup>**

|           |                |
|-----------|----------------|
| <b>NA</b> | Not Applicable |
|-----------|----------------|

Please Note: See Section D for all applicable CSA Listed Cord Options

**G - SHADE ACCESSORIES<sup>5</sup>**

|            |                                 |
|------------|---------------------------------|
| <b>NA</b>  | None                            |
| <b>WC</b>  | Wire Cage                       |
| <b>ACR</b> | Acrylic Diffuser <sup>7,8</sup> |

**H - SHADE ACCESSORY FINISH**

Please Note: See Section C for Finish Options. Natural Metals not applicable. If Porcelain Finish is selected, accessory will be powder coat painted-to-match

|           |                |
|-----------|----------------|
| <b>NA</b> | Not Applicable |
|-----------|----------------|

**I - MOUNTING ACCESSORY**

Please Note: Mounting Accessories below are only applicable with select Mounting Styles. Please refer to product listings on our website for further detail.

|              |   |
|--------------|---|
| <b>NA</b>    | None/Not Applicable   |
| <b>HSC</b>   | Hang Straight Canopy <sup>9,9</sup>                             |
| <b>LDBPC</b> | LED Decorative Backing Plate Cover <sup>10,11</sup>             |
| <b>LDCHX</b> | LED Decorative Backing Plate Cover & Hex Cover <sup>10,11</sup> |

**J - LIGHT SOURCE**

|              |                                  |
|--------------|----------------------------------|
| <b>LED11</b> | 850 Lumen, 11W LED               |
| <b>LED16</b> | 1250 Lumen, 16W LED              |
| <b>LED27</b> | 2000 Lumen, 27W LED              |
| <b>LED38</b> | 3000 Lumen, 38W LED <sup>1</sup> |
| <b>LED43</b> | 4000 Lumen, 43W LED <sup>1</sup> |

**K - COLOR TEMPERATURE**

|              |                      |
|--------------|----------------------|
| <b>2700K</b> | 2700K, Warm White    |
| <b>3000K</b> | 3000K, Neutral White |
| <b>3500K</b> | 3500K, Bright White  |
| <b>4000K</b> | 4000K, Cool White    |

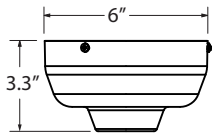
**L - LED LENS**

|           |            |
|-----------|------------|
| <b>DL</b> | Domed Lens |
| <b>FL</b> | Flat Lens  |

**IMPORTANT:** (1) Not available with Acrylic Diffuser shade accessory (2) All Porcelain Enamel finished shades feature a white interior and a black outer rim (3) All Powder Coat finished shades, Galvanized excluded, feature a white interior (4) Natural Metals have a longer estimated manufacturing time, please check the website for exact lead time. There are no returns accepted on Natural Metals (5) Not available in Natural Metals (6) Only applicable if Chain Hung Mounting Style selected in Section A, select NA if another Mounting Style is selected (7) Acrylic Diffuser limits the maximum lumen selection as well as reduces lumens delivered and LPW. Selection Limits: 2000 Max for 12" and 14" shades (8) Fixture is CSA Listed for Damp Location (9) Only applicable if Stem Mounting Style is selected in Section A (10) Not available with G3, G4, G11, G15, G26 & G36 Gooseneck option (11) Only applicable if Gooseneck Mounting Style is selected in Section-A

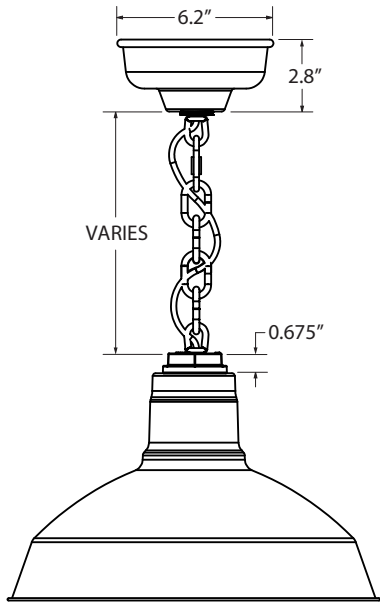
**MOUNTING STYLE**

**HIGH LUMEN CANOPY FOR PENDANT & FLUSH MOUNT**



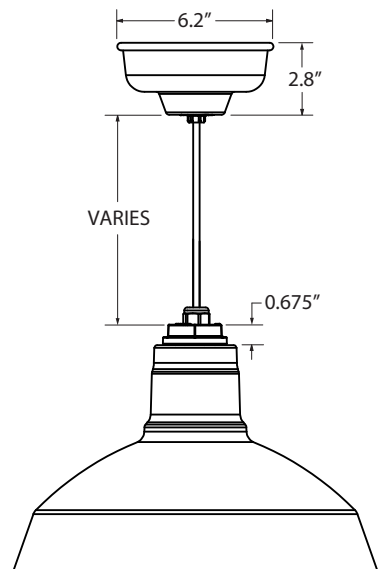
Required if LED 27, 38, 43 Light Source selected in Section J

**CHAIN HUNG PENDANT (CN)**



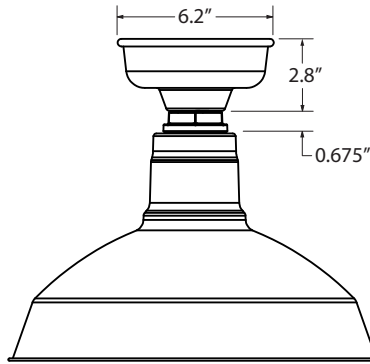
Canopy shown required if LED 11 & 16 Light Source selected in Section J

**CORD HUNG PENDANT (C)**



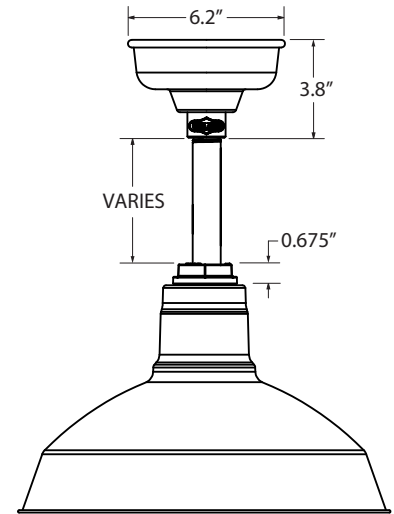
Canopy shown required if LED 11 & 16 Light Source selected in Section J

**FLUSH MOUNT (F)**



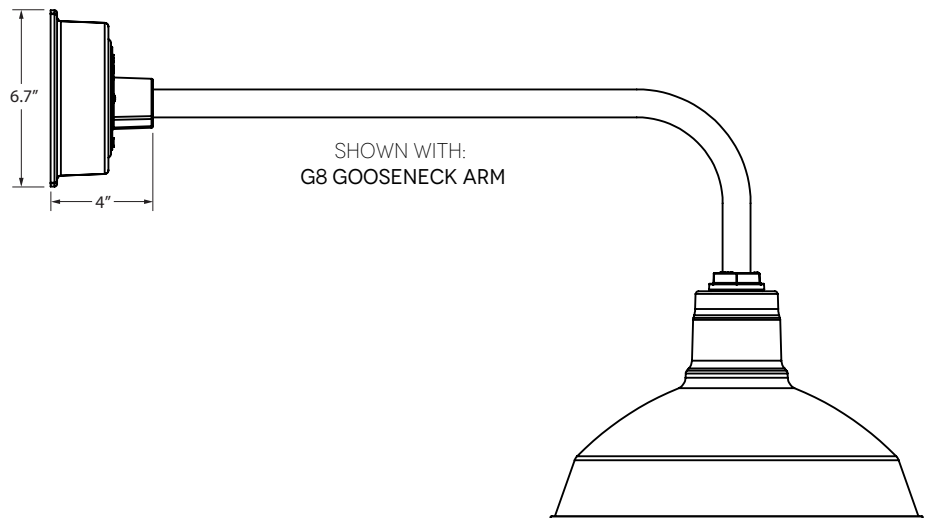
Canopy shown required if LED 11 & 16 Light Source selected in Section J

**STEM MOUNT PENDANT (S)**

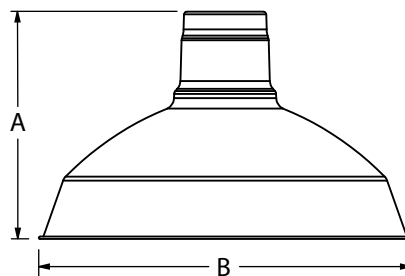


Canopy shown required if LED 11 & 16 Light Source selected in Section J

**GOOSENECK (G)**



**LUMINAIRE DIMENSIONS**



| SHADE CODE | HEIGHT (A) | DIAMETER (B) |
|------------|------------|--------------|
| WHD12      | 7.75"      | 12"          |
| WHD14      | 8.50"      | 14"          |

**LIGHT SOURCE**

All published luminaire photometric testing performed to IESNA LM-79-08 standards by a NVLAP accredited laboratory. Data is considered to be representative of the configurations shown, within the tolerances allowed by Lighting Facts. To obtain an IES file specific to your project, please contact the factory.\*

|       |       | LUMENS 850 |    | 1250   |     | 2000   |     | 3000   |     | 4000   |     |
|-------|-------|------------|----|--------|-----|--------|-----|--------|-----|--------|-----|
|       |       | Wattage    |    | 16     |     | 27     |     | 38     |     | 43     |     |
|       |       | Optics     |    | Lumens | LPW | Lumens | LPW | Lumens | LPW | Lumens | LPW |
| WHD12 | FLAT  | 836        | 73 | 1229   | 77  | 1991   | 74  | 2987   | 79  | 3983   | 92  |
|       | DOMED | 809        | 71 | 1190   | 75  | 1919   | 71  | 2879   | 76  | 3839   | 89  |
| WHD14 | FLAT  | 833        | 73 | 1225   | 76  | 1977   | 73  | 2966   | 78  | 3955   | 92  |
|       | DOMED | 806        | 71 | 1185   | 74  | 1895   | 70  | 2843   | 75  | 3791   | 88  |

\*Acrylic Diffuser option reduces Lumens delivered and LPW

**SPECIFICATIONS**

**CERTIFICATIONS, LISTINGS & WARRANTY**

MADE IN THE USA  
 Manufactured and Hand-Crafted in Our 60,000 Square Foot Facility  
 Located in Titusville, FL

CSA LISTED FOR WET LOCATIONS  
 Includes All Gooseneck, Stem and Flush Mounting Styles  
 Acrylic Diffuser is CSA Listed for Damp Locations for Gooseneck  
 and Stem Mounting Styles

CSA LISTED FOR DAMP LOCATIONS  
 Includes All Chain and Select Cord Hung Mounting Styles  
 Acrylic Diffuser is CSA Listed for Damp Locations

LIMITED WARRANTY  
 For Additional Information on Our Limited Warranty, Please See  
 Our Terms & Conditions

OPERATING TEMPERATURE  
 -30°C to 40°C

**CONSTRUCTION & FINISH**

POWDER COAT SHADE  
 Hand-Spun from High Purity 3003-O Temper Aluminum

GALVANIZE SHADE  
 Hand Spun from High Quality Galvanized Steel

PORCELAIN SHADE  
 Hand-Spun from 20 Gauge Porcelain Steel

POWDER COAT FINISHES  
 Polyester Powder Coat Finishes Are Electro-Statically Applied and  
 Thermocured

PORCELAIN FINISHES  
 Applied by Hand and Fired in a High Temperature Oven

COPPER  
 Hand-Spun from High Purity C11000-O60 ETP Copper

BRASS  
 Hand-Spun from High Purity C2600-O60 Brass

STEM  
 1/2" Nominal (0.84" Actual) or 3/4" Nominal (1.05" Actual) Sch 40,  
 6063 Aluminum Mounting Stem. Custom Lengths Available upon  
 Request.

**CONSTRUCTION & FINISH (CONTINUED)**

GOOSENECK  
 1/2" Nominal (0.84" Actual) or 3/4" Nominal (1.05" Actual) Sch 40,  
 6063 Aluminum Gooseneck

CORD  
 Cord-Hung Pendants Include 7' of Standard Cord or 5' of Cloth  
 Cord, +/- For Socket Orientation

CHAIN  
 4-Gauge Chain Complete with Quick Link for On-Site Adjustments  
 to Chain's Length

**LED LIGHT SOURCE**

LED TYPE: CREE LMH2 MODULE  
 INITIAL LUMENS DELIVERED: UP TO 4000 LUMENS  
 L90(6K) > 36,300 HOURS  
 AVAILABLE CCT: 2700K, 3000K, 3500K, 4000K  
 Custom Temperatures Available upon Request

90+ CRI  
 2 STEP MACADAMS ELLIPSE  
 EFFICACY: UP TO 92 LPW  
 High Efficacy Available upon Request, Consult Factory for  
 Additional Information

**ELECTRICAL/LED DRIVER**

DRIVER TYPE: ERP ESS/T & ESP/T  
 POWER FACTOR > 0.9  
 EFFICIENCY: UP TO 87% TYPICAL  
 INPUT VOLTAGE: 120-277 VAC (SEE DIMMING SECTION)  
 CLASS 2 POWER SUPPLY  
 LED DRIVER LIFETIME: > 100,000 HOURS (@ 25 DEG C AMBIENT)  
 IP64 MINIMUM RATING CASE WITH SILICONE-BASED POTTING

**SPECIFICATIONS (CONTINUED)**

**ELECTRICAL/LED DRIVER (CONTINUED)**

PROTECTIONS

Output Open Load, Over-Current and Short-Circuit (hiccup), and Over-Temperature with Auto Recovery

CONDUCTED AND RADIATED EMI

Compliant with FCC CFR Title 47 Part 15 Class B (120 Vac), Class A (277 Vac) and EN55015 (CISPR 15) at 220, 230 and 240 Vac

COMPLIANT WITH

Complies with Energy Star® DLR (DesignLight Consortium®) and CA Title 24 Technical Requirements

**DIMMING**

TRI-MODE DIMMING™

Compatible with TRIAC (forward-phase or leading-edge), ELV (reverse-phase or trailing-edge) and 0-10 V Dimmers

DIMMING RANGE 1-100%

The Dimming Range Is Dependent on Each Specific Dimmer. May Not Be Able to Achieve 1% Dimming with Some Dimmers.

TRIAC AND ELV DIMMING ONLY AT 120 VAC

ELV DIMMING AT 230 VAC

Available by Request

COMPATIBLE DIMMERS

Consult Factory for Additional Information on Dimming