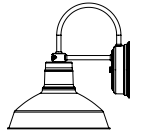




SPS-0568 REV A

**DINO LED WALL SCONCE**

JOB NAME: \_\_\_\_\_ FIXTURE TYPE: \_\_\_\_\_



BLE - W - \_\_\_\_\_ - \_\_\_\_\_ - \_\_\_\_\_ - \_\_\_\_\_ - \_\_\_\_\_ - \_\_\_\_\_ - \_\_\_\_\_ - \_\_\_\_\_

A                      B                      C                      D                      E                      F                      G                      H

Order Example: BLE - W - WHD14 - 400 - NA - NA - LED16 - 2700K - DL - NA

**A - SHADE SIZE****DINO:**

- WHD12** 12" Shade  
**WHD14** 14" Shade

**B - SHADE FINISH****PORCELAIN FINISHES<sup>1</sup>:**

- 150** Black  
**250** White  
**350** Vintage Green  
**355** Jadite  
**455** Cherry Red  
**550** Yellow  
**650** Bronze  
**750** Cobalt Blue  
**765** Delphite Blue  
**850** Graphite  
**950** Metallic Chrome

**POWDER COAT FINISHES<sup>2</sup>:**

- 100** Black  
**105** Textured Black  
**106** Matte Black  
**200** White  
**206** Matte White  
**300** Dark Green  
**307** Emerald Green  
**311** Jadite  
**370** Mint  
**380** Chartreuse

**B - SHADE FINISH (CONTINUED)****POWDER COAT FINISHES<sup>2</sup>:**

- 390** Teal  
**400** Barn Red  
**420** Orange  
**470** Watermelon  
**480** Blush Pink  
**490** Magenta  
**495** Sherbet Orange  
**500** Buttery Yellow  
**570** Sunflower  
**600** Bronze  
**601** Chocolate  
**605** Rust  
**615** Oil-Rubbed Bronze  
**700** Royal Blue  
**705** Navy  
**710** Cobalt Blue  
**715** Delphite Blue  
**790** Lavender  
**800** Industrial Grey  
**805** Charcoal Granite  
**810** Graphite  
**975** Galvanized

**C - SHADE ACCESSORIES**

- NA** None  
**WC** Wire Cage  
**ACR** Acrylic Diffuser<sup>3,4</sup>

**D - SHADE ACCESSORY FINISH**

Please Note: See **Section B** for all optional accessory finish options.  
 (I) If a porcelain finish is selected, accessory will be powder coat painted-to-match.  
 (II) If no accessory is selected in Section C, please select NA.

**NA** Not Applicable

**E - LIGHT SOURCE**

- LED11** 850 Lumen, 11W LED  
**LED16** 1250 Lumen, 16W LED  
**LED27** 2000 Lumen, 27W LED

**F - COLOR TEMPERATURE**

- 2700K** 2700K, Warm White  
**3000K** 3000K, Neutral White  
**3500K** 3500K, Bright White  
**4000K** 4000K, Cool White

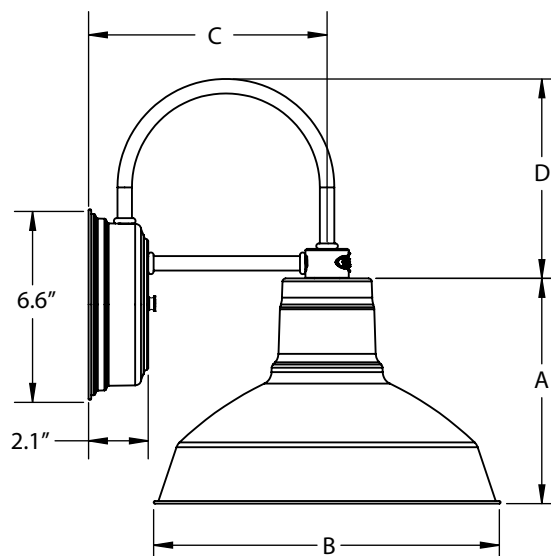
**G - LED LENS**

- DL** Domed Lens  
**FL** Flat Lens

**H - DUSK-TO-DAWN PHOTOCELL**

- NA** None/Not Applicable  
**DD** Dusk-to-Dawn Photocell

**IMPORTANT:** (1) All Porcelain Enamel finished shades feature a white interior and a black outer rim (2) All Powder Coat finished shades, with the exception of Galvanized, feature a white interior (3) Selecting Acrylic Diffuser will reduce the amount of lumens and LPW delivered (4) Acrylic Diffuser is CSA Listed for Damp Locations

**LUMINAIRE DIMENSIONS**

SHADE CODE	HEIGHT (A)	DIAMETER (B)	PROJECTION (C)	ARM HEIGHT (D)
<b>WHD12</b>	7.75"	12"	8.3"	6.9"
<b>WHD14</b>	8.5"	14"	8.3"	6.9"

**LIGHT SOURCE**

All published luminaire photometric testing performed to IESNA LM-79-08 standards by a NVLAP accredited laboratory. Data is considered to be representative of the configurations shown, within the tolerances allowed by Lighting Facts. To obtain an IES file specific to your project, please contact the factory. Please Note: Selecting an Acrylic Diffuser will reduce the amount of Lumens and LPW delivered.

		850		1250		2000	
		440		440		900	
		11		16		27	
Shade Size	Optics	Delivered Lumens	LPW	Delivered Lumens	LPW	Delivered Lumens	LPW
WHD12	Flat	836	73	1229	77	1991	74
	Domed	809	71	1190	74	1919	71
WHD14	Flat	833	73	1225	76	1977	73
	Domed	806	71	1185	74	1895	70

**SPECIFICATIONS**

**CERTIFICATIONS, LISTINGS & WARRANTY**

MADE IN THE USA  
 Manufactured and Hand-Crafted in Our 60,000 Square Foot Facility  
 Located in Titusville, FL

CSA LISTED FOR WET LOCATIONS  
 If the Acrylic Diffuser is Chosen, the Fixture will be CSA Listed for  
 Damp Locations

OPERATING TEMPERATURE  
 -30°C to 40°C

LIMITED WARRANTY  
 For Additional Information on Our Limited Warranty, Please See  
 Our Terms & Conditions

**CONSTRUCTION & FINISH**

POWDER COAT SHADE  
 Hand-Spun from High Purity 3003-O Temper Aluminum

GALVANIZE SHADE  
 Hand Spun from High Quality Galvanized Steel

PORCELAIN SHADE  
 Hand-Spun from 20 Gauge Porcelain Steel

POWDER COAT FINISHES  
 Polyester Powder Coat Finishes Are Electro-Statically Applied and  
 Thermocured

PORCELAIN FINISHES  
 Applied by Hand and Fired in a High Temperature Oven

BACKING PLATE  
 Hand-Spun from High Purity 3003-O Temper Aluminum or  
 High Quality Galvanized Steel if 975 Finish is Chosen

WALL SCONCE ARM  
 1/4" Nominal (0.50" Actual) Brass Electroplated Steel Tubing  
 Mounting Arm

MAX FIXTURE WEIGHT  
 10 lbs

**LED LIGHT SOURCE**

LED TYPE: CREE LMH2 MODULE  
 INITIAL LUMENS DELIVERED: UP TO 2000 LUMENS  
 L90(6K) > 36,300 HOURS

**LED LIGHT SOURCE (CONTINUED)**

AVAILABLE CCT: 2700K, 3000K, 3500K, 4000K  
 Custom Temperatures Available upon Request

90+ CRI

2 STEP MACADAMS ELLIPSE

EFFICACY: UP TO 77 LPW. SEE LUMEN CHART  
 High Efficacy Available upon Request, Consult Factory for  
 Additional Information

**ELECTRICAL/LED DRIVER**

DRIVER TYPE: ERP ESS/T

POWER FACTOR > 0.9

EFFICIENCY: UP TO 87% TYPICAL

INPUT VOLTAGE: 120-277 VAC (SEE DIMMING SECTION)

CLASS 2 POWER SUPPLY

LED DRIVER LIFETIME: > 100,000 HOURS (@ 25 DEG C AMBIENT)

IP64 MINIMUM RATING CASE WITH SILICONE-BASED POTTING

PROTECTIONS  
 Output Open Load, Over-Current and Short-Circuit (Hiccup), and  
 Over-Temperature with Auto Recovery

CONDUCTED AND RADIATED EMI  
 Compliant with FCC CFR Title 47 Part 15 Class B (120 VAC), Class A  
 (277 VAC) and EN55015 (CISPR 15) at 220, 230 and 240 VAC

COMPLIANT WITH  
 Complies with Energy Star® DLR (DesignLight Consortium®) and CA  
 Title 24 Technical Requirements

**DIMMING**

TRI-MODE DIMMING™  
 Compatible with TRIAC (Forward-Phase or Leading-Edge), ELV  
 (Reverse-Phase or Trailing-Edge) and 0-10 V Dimmers

TRIAC AND ELV DIMMING ONLY AT 120 VAC

DIMMING RANGE 1-100%  
 The Dimming Range is Dependent on Each Specific Dimmer. May  
 not be able to Achieve 1% Dimming with Some Dimmers

ELV DIMMING AT 230 VAC  
 Available by Request