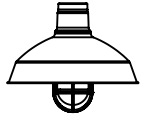




SPS-0525 REV A

**DINO NAUTICAL LED SERIES**

JOB NAME: \_\_\_\_\_ FIXTURE TYPE: \_\_\_\_\_



BLE - \_\_\_\_\_ - \_\_\_\_\_ - \_\_\_\_\_ - \_\_\_\_\_ - \_\_\_\_\_ - \_\_\_\_\_ - \_\_\_\_\_ - \_\_\_\_\_

**A**                  **B**                  **C**                  **D**                  **E**                  **F**                  **G**

                  \_\_\_\_\_ - \_\_\_\_\_ - \_\_\_\_\_ - \_\_\_\_\_ - \_\_\_\_\_ - \_\_\_\_\_ - \_\_\_\_\_ - \_\_\_\_\_

**H**                  **I**                  **J**                  **K**                  **L**

Order Example: BLE - G - WHD14 - 355 - G32 - 980 - NA - CGG - 355 - FST - DD - LED16.8 - 4000K

**A - MOUNTING STYLE**

<b>C</b>	Cord Hung
<b>CN</b>	Chain Hung
<b>F</b>	Flush Mount
<b>G</b>	Gooseneck
<b>S</b>	Stem Mount

**B - SHADE SIZE**

**DINO:**  
**WHD12**  
**WHD14**

**C - SHADE FINISH****PORCELAIN FINISHES<sup>2</sup>:**

<b>150</b>	Black
<b>250</b>	White
<b>350</b>	Vintage Green
<b>355</b>	Jadite
<b>455</b>	Cherry Red
<b>550</b>	Yellow
<b>650</b>	Bronze
<b>750</b>	Cobalt Blue
<b>765</b>	Delphite Blue
<b>850</b>	Graphite
<b>950</b>	Metallic Chrome

**POWDER COAT FINISHES<sup>3</sup>:**

<b>100</b>	Black
<b>105</b>	Textured Black
<b>200</b>	White
<b>300</b>	Dark Green
<b>307</b>	Emerald Green
<b>311</b>	Jadite
<b>370</b>	Mint
<b>380</b>	Chartreuse
<b>390</b>	Teal
<b>400</b>	Barn Red
<b>420</b>	Orange
<b>470</b>	Watermelon
<b>480</b>	Blush Pink
<b>490</b>	Magenta
<b>495</b>	Sherbet Orange
<b>500</b>	Buttery Yellow
<b>570</b>	Sunflower
<b>600</b>	Bronze
<b>601</b>	Chocolate
<b>605</b>	Rust
<b>615</b>	Oil-Rubbed Bronze
<b>700</b>	Royal Blue
<b>705</b>	Navy
<b>710</b>	Cobalt Blue

**C - SHADE FINISH (CONTINUED)****POWDER COAT FINISHES<sup>3</sup>:**

<b>715</b>	Delphite Blue
<b>790</b>	Lavender
<b>800</b>	Industrial Grey
<b>805</b>	Charcoal Granite
<b>810</b>	Graphite
<b>975</b>	Galvanized

**NATURAL METALS<sup>5</sup>:**

<b>995</b>	Raw Copper
<b>996</b>	Weathered Copper
<b>997</b>	Raw Brass
<b>998</b>	Weathered Brass
<b>999</b>	Oil-Rubbed Copper

**D - MOUNTING**

Please Note: If Flush Mount [F] is selected in Section A, please select NA.

**NA** Not Applicable**CSA LISTED CORDS:**

<b>SBK</b>	Standard Black
<b>SWH</b>	Standard White
<b>CSB</b>	Black Cloth
<b>CSW</b>	White Cloth
<b>CMG</b>	Grey Cloth
<b>CSR</b>	Red Cloth
<b>CRZ</b>	Red Chevron Cloth
<b>CSBB</b>	Black & Brown Cloth
<b>CSRW</b>	Red & White Cloth
<b>CSGW</b>	Gold & White Cloth
<b>CSBG</b>	Black & Gold Cloth
<b>CSBW</b>	Black & White Cloth
<b>CSBP</b>	Black & Pink Cloth
<b>CSUW</b>	Blue & White Cloth

**CHAIN MOUNT OPTIONS:**

<b>CN36</b>	3' of Chain <sup>1</sup>
<b>CN48</b>	4' of Chain <sup>1</sup>
<b>CN60</b>	5' of Chain <sup>1</sup>
<b>CN72</b>	6' of Chain <sup>1</sup>

**GOOSENECK OPTIONS:**

<b>G1'</b>	<b>G11'</b>	<b>G25</b>
<b>G2'</b>	<b>G12'</b>	<b>G26'</b>
<b>G3'</b>	<b>G13</b>	<b>G32</b>
<b>G4</b>	<b>G14</b>	<b>G34'</b>
<b>G5'</b>	<b>G15</b>	<b>G35'</b>
<b>G6</b>	<b>G16'</b>	<b>G36'</b>
<b>G7</b>	<b>G17</b>	<b>G40'</b>
<b>G8</b>	<b>G19'</b>	<b>G64'</b>
<b>G9</b>	<b>G22</b>	<b>G65'</b>
<b>G10</b>	<b>G24</b>	

**D - MOUNTING (CONTINUED)****STEM MOUNT OPTIONS:**

<b>ST506</b>	.5" Stem Mount, 6" <sup>1</sup>
<b>ST512</b>	.5" Stem Mount, 12" <sup>1</sup>
<b>ST518</b>	.5" Stem Mount, 18" <sup>1</sup>
<b>ST524</b>	.5" Stem Mount, 24" <sup>1</sup>
<b>ST536</b>	.5" Stem Mount, 36" <sup>1</sup>
<b>ST548</b>	.5" Stem Mount, 48" <sup>1</sup>
<b>ST706</b>	.75" Stem Mount, 6"
<b>ST712</b>	.75" Stem Mount, 12"
<b>ST718</b>	.75" Stem Mount, 18"
<b>ST724</b>	.75" Stem Mount, 24"
<b>ST736</b>	.75" Stem Mount, 36"
<b>ST748</b>	.75" Stem Mount, 48"

**E - MOUNTING FINISH**

Please Note: See Section C for Finish Options. 980-Brushed Aluminum is also available for Gooseneck and Stem Mounting Styles. If a Porcelain Shade Finish is selected, mounting will be Powder Coat Painted-To-Match. Porcelain Shade Finishes are not available with a Natural Metal Mounting Finish

(I) If Cord Hung [C], selection identifies Canopy Finish

(II) If Chain Hung [CN] Mounting Style, selection identifies Chain and Canopy Finish. Natural Metals are not applicable

(III) If Stem Mount [S] Mounting Style, selection identifies Stem and Canopy Finish

(IV) If Flush Mount [F] Mounting Style, selection identifies Hex Coupler and Canopy Finish. Natural Metals are not applicable

**980** Brushed Aluminum**F - CORDS<sup>4</sup>****NA** Not Applicable

Please Note: See Section D for all applicable CSA Listed Cord Options

**G - SHADE ACCESSORIES**

<b>NA</b>	No Guard
<b>TGG</b>	Heavy Duty Guard <sup>1</sup>
<b>CGG</b>	Cast Guard <sup>1</sup>
<b>WGG</b>	Wire Guard <sup>1</sup>

**H - SHADE ACCESSORY FINISH**

Please Note: See Section C for Finish Options. Natural Metals not applicable with Guard. If Porcelain Shade Finish is selected, accessory will be Powder Coat Painted-To-Match

**I - GLASS OPTIONS**

<b>CLR</b>	Clear Glass
<b>FST</b>	Frosted Glass
<b>RIB</b>	Ribbed Glass
<b>SMK</b>	Smoke Crackle Glass
<b>BLU</b>	Blue Glass
<b>RED</b>	Red Glass
<b>AMB</b>	Amber Glass
<b>GRN</b>	Green Glass

**J - MOUNTING ACCESSORY**

Please Note: Mounting Accessories below are only applicable with select Mounting Styles. Please refer to product listings on our website for further detail.

<b>NA</b>	None/Not Applicable
<b>HSC</b>	Hang Straight Canopy <sup>16</sup>
<b>HDSMC</b>	Heavy Duty Stem Mount Canopy <sup>16</sup>
<b>HDBP</b>	Heavy Duty Backing Plate <sup>1</sup>
<b>DD</b>	Dusk-to-Dawn Photocell <sup>7</sup>
<b>DBPC</b>	Decorative Backing Plate Cover <sup>7</sup>
<b>DCHX</b>	Decorative Backing Plate Cover & Hex Cover <sup>7</sup>

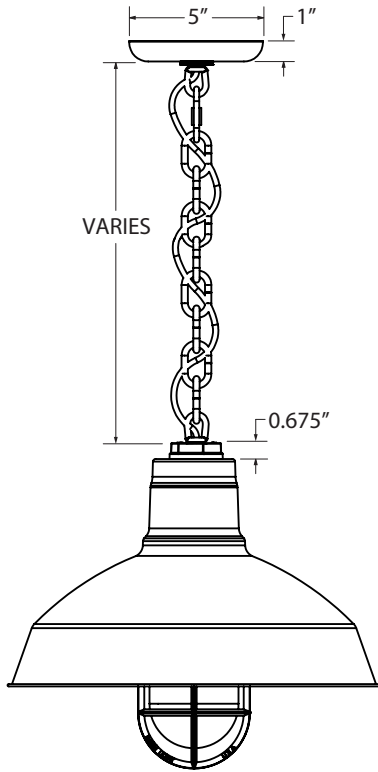
**K - LIGHT SOURCE****LED16.8** 1600 Lumens, 16.8W LED**L - COLOR TEMPERATURE**

<b>2700K</b>	2700K, Warm White
<b>3000K</b>	3000K, Neutral White
<b>3500K</b>	3500K, Bright White
<b>4000K</b>	4000K, Cool White

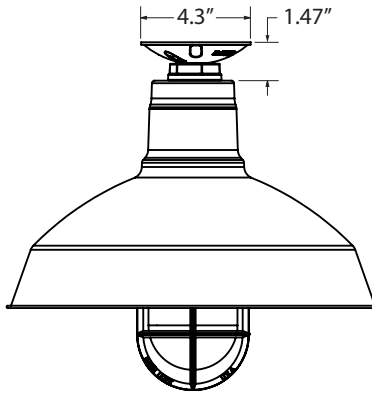
**IMPORTANT:** (1) Not available in Natural Metals (2) All Porcelain Enamel finished shades feature a white interior and a black outer rim (3) All Powder Coat finished shades, Galvanized excluded, feature a white interior (4) Only applicable if Chain Hung Mounting Style selected in Section A, select NA if another Mounting Style is selected (5) Natural Metals have a longer estimated manufacturing time, please check the website for exact lead time. There are no returns accepted on Natural Metals (6) Only applicable if Stem Mounting Style is selected in Section A (7) Not available with G19, G36, & G40 Gooseneck option

**MOUNTING STYLE**

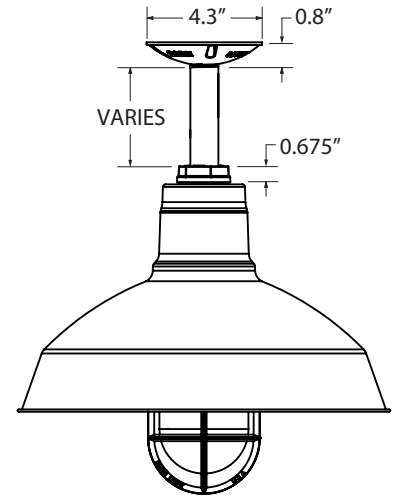
**CHAIN HUNG PENDANT (CN)**



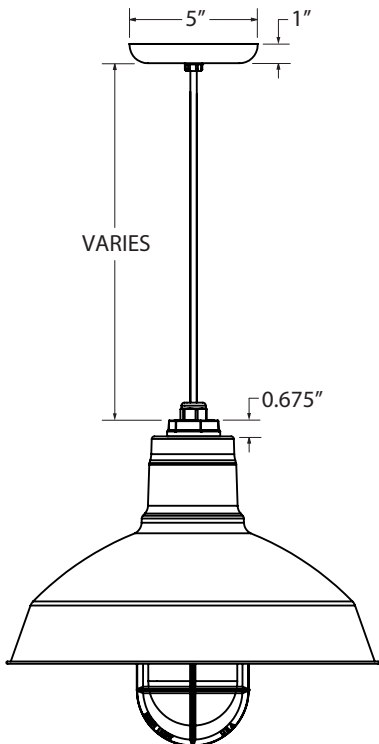
**FLUSH MOUNT (F)**



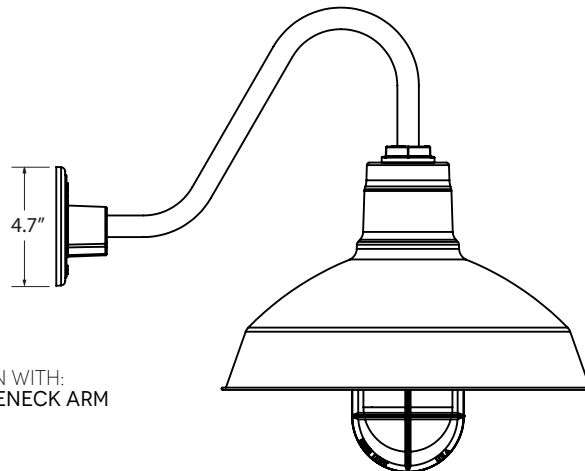
**STEM MOUNT PENDANT (S)**



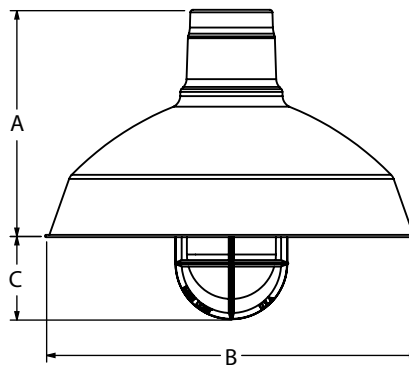
**CORD HUNG PENDANT (C)**



**GOOSENECK (G)**



**LUMINAIRE DIMENSIONS**



SHADE CODE	HEIGHT (A)	DIAMETER (B)	EXTENSION (C)
WHD12	7.75"	12"	3.8"
WHD14	8.50"	14"	3.1"

**SPECIFICATIONS**

**LED16.8 LIGHT SOURCE**

LED TYPE: CREE CXB SERIES COB  
 INITIAL LUMENS DELIVERED: UP TO 1600 LUMENS  
 L90 (11K) > 61,000 HOURS  
 AVAILABLE CCT: 2700K, 3000K, 3500K, 4000K  
**Custom Temperatures Available upon Request**  
 90+ CRI (R9 TYPICAL 60)  
**80+ CRI and 95+ CRI (R9 Typical 85) Available upon Request**  
 2 STEP MACADAMS ELLIPSE  
 EFFICACY: UP TO 95 LPW  
**High Efficacy Available upon Request, Consult Factory for Additional Information**

**DIMMING**

LED 16.8  
 Triac & ELV Dimming at 120VAC, Able to Dim down to 1%.  
 Dependent on Specific Dimmer.  
 0-10V Dimming Available upon Request.  
 COMPATIBLE DIMMERS  
**Consult Factory for Additional Information on Dimming**

**SHADE & FINISHES**

POWDER COAT SHADE  
 Hand-Spun from High Purity 0.050" Thick 3003-O Temper Aluminum  
 PORCELAIN SHADE  
 Hand-Spun from 20 Gauge Sheet Metal  
 POWDER COAT FINISHES  
 Polyester Powder Coat Finishes Are Electro-Staticly Applied and Thermocured  
 PORCELAIN FINISHES  
 Applied by Hand and Fired in a High Temperature Oven  
 COPPER  
 Hand-Spun from High Purity .032 Thick C11000-O60 ETP Copper  
 BRASS  
 Hand-Spun from High Purity .050" Thick C2600-O60 Brass

**CERTIFICATIONS, LISTINGS & WARRANTY**

MADE IN THE USA  
**Manufactured and Hand-Crafted in Our 60,000 Square Foot Facility Located in Titusville, FL**  
 CSA LISTED FOR WET LOCATIONS  
**Includes All Gooseneck, Stem and Flush Mounting Styles**  
 CSA LISTED FOR DAMP LOCATIONS  
**Includes All Chain and Select Cord Hung Mounting Styles**  
 LIMITED WARRANTY  
**For Additional Information on Our Limited Warranty, Please See Our Terms & Conditions**  
 OPERATING TEMPERATURE  
 -30°C to 40°C

**LED16.8 ELECTRICAL/LED DRIVER**

DRIVER TYPE: ERP EBRO20U-0400-42  
 DRIVE CURRENT: 400mA  
 POWER FACTOR > 0.9  
 EFFICIENCY: UP TO 85% TYPICAL  
 INPUT VOLTAGE: 120 VAC  
 CLASS 2 POWER SUPPLY  
 LED DRIVER LIFETIME: > 100,000 HOURS (@ 25 DEG C AMBIENT)  
 IP20 MINIMUM RATING CASE WITH SILICONE-BASED POTTING  
 PROTECTIONS  
**Output Open Load, Over-Current and Short-Circuit (hiccup), and Over-Temperature with Auto Recovery**  
 CONDUCTED AND RADIATED EMI  
**Compliant with FCC CFR Title 47 Part 15 Class B (120 VAC), Class A (277 VAC) and EN55015 (CISPR 15) at 220, 230 and 240 VAC**  
 COMPLIANT WITH  
**Complies with Energy Star® DLR (DesignLight Consortium®) and CA Title 24 Technical Requirements**

**MOUNTING**

STEM  
 1/2" Nominal (0.84" Actual) or 3/4" Nominal (1.05" Actual) Sch 40, 6063 Aluminum Mounting Stem. Custom Lengths Available upon Request.  
 GOOSENECK  
 1/2" Nominal (0.84" Actual) or 3/4" Nominal (1.05" Actual) Sch 40, 6063 Aluminum Gooseneck  
 CORD  
 Cord-Hung Pendants Include 7' of Standard Cord or 5' of Cloth Cord, +/- For Socket Orientation  
 CHAIN  
 4-Gauge Chain Complete with Quick Link for On-Site Adjustments to Chain's Length  
 MAX FIXTURE WEIGHT  
 10 lbs