



SPS-0218 REV B

DINO WALL SCONCE

JOB NAME: _____ FIXTURE TYPE: _____



BLE - W - _____ - _____ - _____ - _____ - _____ - _____ - _____ - _____ - _____

A B C D E F G H

I

Order Example: BLE - W - WHD14 - 400 - TGG - RIB - 975 - NA - NA - NA - E26

A - SHADE SIZE**DINO:**

- WHD12** 12" Shade
WHD14 14" Shade

B - FIXTURE FINISH**PORCELAIN FINISHES¹:**

- 150** Black
250 White
350 Vintage Green
355 Jadite
455 Cherry Red
550 Yellow
650 Bronze
750 Cobalt Blue
765 Delphite Blue
850 Graphite
950 Metallic Chrome

POWDER COAT FINISHES²:

- 100** Black
105 Textured Black
106 Matte Black
200 White
206 Matte White
300 Dark Green
307 Emerald Green
311 Jadite
370 Mint
380 Chartreuse
390 Teal
400 Barn Red
420 Orange
470 Watermelon
480 Blush Pink
490 Magenta
495 Sherbet Orange
500 Buttery Yellow
570 Sunflower
600 Bronze
601 Chocolate
605 Rust
615 Oil-Rubbed Bronze
700 Royal Blue
705 Navy
710 Cobalt Blue
715 Delphite Blue
790 Lavender
800 Industrial Grey
805 Charcoal Granite
810 Graphite
975 Galvanized

C - OPTIONAL ACCESSORY

- NA** None
WC Wire Cage
ACR Acrylic Diffuser^{3,4,5}
TGG Heavy Duty Guard
CGG Cast Guard
WGG Wire Guard

D - GLASS OPTION⁶

- NA** Not Applicable
CLR Clear Glass
FST Frosted Glass
RIB Ribbed Glass
BLU Blue Glass
RED Red Glass
AMB Amber Glass
GRN Green Glass
SMK Smoke Crackle Glass

E - OPTIONAL ACCESSORY FINISH

*Please Note: See **Section B** for all optional accessory finish options.*

(1) If a porcelain finish is selected, accessory will be powder coat painted-to-match.

(II) If no accessory is selected in Section C, please select NA.

- NA** Not Applicable

F - PLUG-IN OPTION

- NA** None
L-WL Plug with Inline On/Off Switch⁷

G - PLUG-IN CORD OPTION

- NA** Not Applicable

CSA LISTED CORD OPTIONS:

- SBK** Standard Black Cord
SWH Standard White Cord
CMG Grey Cotton
CRZ Red Chevron
CSB Black Cloth Cord
CSW White Cloth Cord
CSR Red Cloth Cord
CSBW Black & White Cloth
CSRW Red & White Cloth
CSBG Black & Gold Cloth
CSBP Black & Pink Cloth
CSGW Gold & White Cloth
CSUW Blue & White Cloth
CSBB Black & Brown Cloth

H - DUSK-TO-DAWN PHOTOCELL⁸

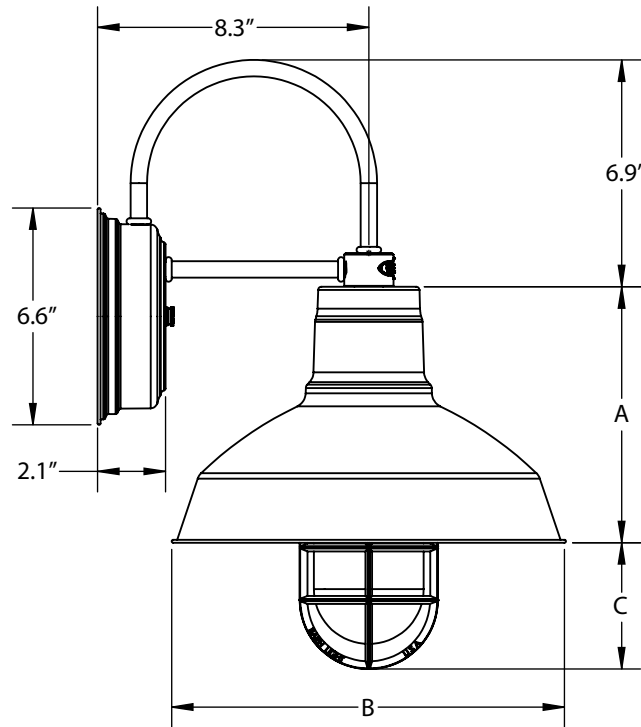
- NA** None/Not Applicable
DD Dusk-to-Dawn Photocell

I - LIGHT SOURCE

- E26** 200 Watt Max
GU24 23 Watt Max⁹

IMPORTANT: (1) All Porcelain Enamel finished shades feature a white interior and a black outer rim (2) All Powder Coat finished shades, with the exception of Galvanized, feature a white interior (3) Acrylic Diffuser accessory reduces incandescent wattage to 60W (4) Not available with the Guard & Glass Accessory (5) Fixture is UL Listed for Damp Locations with Acrylic Diffuser (6) Guard and Glass accessory reduces incandescent wattage to 100W Max and GU24 Bi-Pin to 18W Max (7) SWH-Standard White Cord and CSW-White Cloth Cord include a white plug and switch, all other cord options will include a black plug and switch (8) Dusk-to-Dawn Photocell not applicable if Plug-In Option selected in Section F (9) Not available with Acrylic Diffuser accessory

MOUNTING DIMENSIONS



SHOWN WITH: OPTIONAL GUARD & GLASS ACCESSORY

SHADE CODE	HEIGHT (A)	DIAMETER (B)	EXTENSION (C)
WHD12	7.75"	12"	3.8"
WHD14	8.50"	14"	3.1"

SPECIFICATIONS

CERTIFICATIONS, LISTINGS & WARRANTY

MADE IN THE USA
 Manufactured and Hand-Crafted in Our 60,000 Square Foot Facility Located in Titusville, FL

CSA LISTED FOR WET LOCATIONS
 (Plug-In Option CSA Listed for Dry Location Only,
 Acrylic Diffuser Option UL Listed for Damp Location Only,
 Acrylic Diffuser W/Plug-in Option UL Listed for Dry Location Only)

LIMITED WARRANTY
 For Additional Information on Our Limited Warranty, Please See Our Terms & Conditions

UL CERTIFICATION
 UL Listed Fixtures Available upon Request. Please Consult Factory for Additional Information.

CONSTRUCTION & FINISH (CONTINUED)

POWDER COAT FINISHES
 Polyester Powder Coat Finishes Are Electro-Statically Applied and Thermocured

PORCELAIN FINISHES
 Applied by Hand and Fired in a High Temperature Oven

BACKING PLATE
 Hand-Spun from High Purity 3003-O Temper Aluminum

WALL SCONCE ARM
 1/4" Nominal (0.50" Actual) Steel/Aluminum Mounting Arm

CORD & PLUG
 Complete with 8 Feet of Cord, 2-Prong Polarized Plug and Inline On/Off Switch

MAX FIXTURE WEIGHT
 10 lbs

CONSTRUCTION & FINISH

POWDER COAT SHADE
 Hand-Spun from High Purity 3003-O Temper Aluminum

PORCELAIN SHADE
 Hand-Spun from 20 Gauge Porcelain Steel

GALVANIZED SHADE
 Hand Spun from High Quality Galvanized Steel

LIGHT SOURCE

INCANDESCENT
 Medium Base E26 Socket, 120 VAC, 200W Max

COMPACT FLUORESCENT
 Bi-Pin Base GU24 Socket, 120 VAC, 23W Max