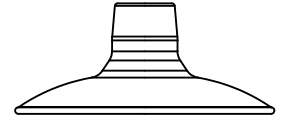




SPS-0489 REV A

**DOMINION INTEGRATED LED SERIES**

JOB NAME: \_\_\_\_\_ FIXTURE TYPE: \_\_\_\_\_



BLE - \_\_\_\_\_ - \_\_\_\_\_ - \_\_\_\_\_ - \_\_\_\_\_ - \_\_\_\_\_ - \_\_\_\_\_ - \_\_\_\_\_ - \_\_\_\_\_

A                      B                      C                      D                      E                      F                      G

\_\_\_\_\_ - \_\_\_\_\_ - \_\_\_\_\_ - \_\_\_\_\_ - \_\_\_\_\_ - \_\_\_\_\_ - \_\_\_\_\_ - \_\_\_\_\_

H                      I                      J                      K                      L

Order Example: BLE - F - SBD14 - 307 - FM - 307 - NA - WC - 100 - LED16 - 2700K - DL

**A - MOUNTING STYLE**

<b>C</b>	Cord Hung
<b>CN</b>	Chain Hung
<b>F</b>	Flush Mount
<b>G</b>	Gooseneck
<b>S</b>	Stem Mount

**B - SHADE SIZE****DOMINION:**

**SBD12**  
**SBD14**  
**SBD16**

**C - SHADE FINISH****PORCELAIN FINISHES<sup>3</sup>:**

<b>150</b>	Black
<b>250</b>	White
<b>350</b>	Vintage Green
<b>355</b>	Jadite
<b>455</b>	Cherry Red
<b>550</b>	Yellow
<b>650</b>	Bronze
<b>750</b>	Cobalt Blue
<b>765</b>	Delphite Blue
<b>850</b>	Graphite
<b>950</b>	Metallic Chrome

**POWDER COAT FINISHES<sup>4</sup>:**

<b>100</b>	Black
<b>105</b>	Textured Black
<b>200</b>	White
<b>300</b>	Dark Green
<b>307</b>	Emerald Green
<b>311</b>	Jadite
<b>370</b>	Mint
<b>380</b>	Chartreuse
<b>390</b>	Teal
<b>400</b>	Barn Red
<b>420</b>	Orange
<b>470</b>	Watermelon
<b>480</b>	Blush Pink
<b>490</b>	Magenta
<b>495</b>	Sherbet Orange
<b>500</b>	Buttery Yellow
<b>570</b>	Sunflower
<b>600</b>	Bronze
<b>601</b>	Chocolate
<b>605</b>	Rust
<b>615</b>	Oil-Rubbed Bronze
<b>700</b>	Royal Blue
<b>705</b>	Navy
<b>710</b>	Cobalt Blue
<b>715</b>	Delphite Blue

**C - SHADE FINISH (CONTINUED)****POWDER COAT FINISHES<sup>4</sup>:**

<b>790</b>	Lavender
<b>800</b>	Industrial Grey
<b>805</b>	Charcoal Granite
<b>810</b>	Graphite
<b>975</b>	Galvanized

**NATURAL METALS<sup>6</sup>:**

<b>995</b>	Raw Copper
<b>996</b>	Weathered Copper
<b>997</b>	Raw Brass
<b>998</b>	Weathered Brass
<b>999</b>	Oil-Rubbed Copper

**D - MOUNTING**

Please Note: If Flush Mount [F] is selected in Section A, please select **NA**

<b>NA</b>	Not Applicable
-----------	----------------

**CSA LISTED CORDS:**

<b>SBK</b>	Standard Black
<b>SWH</b>	Standard White
<b>CSB</b>	Black Cloth
<b>CSW</b>	White Cloth
<b>CMG</b>	Grey Cloth
<b>CSR</b>	Red Cloth
<b>CRZ</b>	Red Chevron Cloth
<b>CSBB</b>	Black & Brown Cloth
<b>CSRW</b>	Red & White Cloth
<b>CSGW</b>	Gold & White Cloth
<b>CSBG</b>	Black & Gold Cloth
<b>CSBW</b>	Black & White Cloth
<b>CSBP</b>	Black & Pink Cloth
<b>CSUW</b>	Blue & White Cloth

**CHAIN MOUNT OPTIONS:**

<b>CN36</b>	3' of Chain <sup>1</sup>
<b>CN48</b>	4' of Chain <sup>1</sup>
<b>CN60</b>	5' of Chain <sup>1</sup>
<b>CN72</b>	6' of Chain <sup>1</sup>

**GOOSENECK OPTIONS:**

<b>G1<sup>1</sup></b>	<b>G11<sup>1</sup></b>	<b>G26<sup>1</sup></b>
<b>G2<sup>1</sup></b>	<b>G12<sup>1</sup></b>	<b>G32</b>
<b>G3<sup>1,2</sup></b>	<b>G13</b>	<b>G34<sup>1</sup></b>
<b>G4<sup>2</sup></b>	<b>G14</b>	<b>G35<sup>1</sup></b>
<b>G5<sup>1</sup></b>	<b>G15</b>	<b>G36<sup>1</sup></b>
<b>G6</b>	<b>G16<sup>1</sup></b>	<b>G64<sup>1</sup></b>
<b>G7</b>	<b>G17</b>	<b>G65<sup>1</sup></b>
<b>G8</b>	<b>G22</b>	
<b>G9</b>	<b>G24</b>	
<b>G10</b>	<b>G25</b>	

**D - MOUNTING (CONTINUED)****STEM MOUNT OPTIONS:**

<b>ST506</b>	.5" Stem Mount, 6" <sup>1</sup>
<b>ST512</b>	.5" Stem Mount, 12" <sup>1</sup>
<b>ST518</b>	.5" Stem Mount, 18" <sup>1</sup>
<b>ST524</b>	.5" Stem Mount, 24" <sup>1</sup>
<b>ST536</b>	.5" Stem Mount, 36" <sup>1</sup>
<b>ST548</b>	.5" Stem Mount, 48" <sup>1</sup>
<b>ST706</b>	.75" Stem Mount, 6"
<b>ST712</b>	.75" Stem Mount, 12"
<b>ST718</b>	.75" Stem Mount, 18"
<b>ST724</b>	.75" Stem Mount, 24"
<b>ST736</b>	.75" Stem Mount, 36"
<b>ST748</b>	.75" Stem Mount, 48"

**E - MOUNTING FINISH**

Please Note: See **Section C** for Finish Options. 980-Brushed Aluminum is also available for Gooseneck and Stem mounting styles. If a Porcelain shade finish is selected, mounting will be powder coat painted-to-match. Porcelain shade finishes are not available with a Natural Metal mounting finish  
(I) If Cord Hung [C], selection identifies canopy finish  
(II) If Chain Hung [CN] Mounting Style, selection identifies chain and canopy finish. Natural Metals are not applicable  
(III) If Stem Mount [S] Mounting Style, selection identifies stem and canopy finish  
(IV) If Flush Mount [F] Mounting Style, selection identifies hex coupler and canopy finish. Natural Metals are not applicable

<b>980</b>	Brushed Aluminum
------------	------------------

**F - CORDS<sup>5</sup>**

<b>NA</b>	Not Applicable
-----------	----------------

Please Note: See **Section D** for all applicable CSA Listed Cord Options

**G - SHADE ACCESSORIES**

<b>NA</b>	None
<b>WC</b>	Wire Cage <sup>1</sup>

**H - SHADE ACCESSORY FINISH**

Please Note: See **Section C** for Finish Options. Natural Metals not applicable with Acrylic Diffuser or Wire Cage. If Porcelain Finish is selected, accessory will be powder coat painted-to-match

<b>NA</b>	Not Applicable
-----------	----------------

**I - MOUNTING ACCESSORY**

Please Note: Mounting Accessories below are only applicable with select Mounting Styles. Please refer to product listings on our website for further detail.

<b>NA</b>	None/Not Applicable
<b>HSC</b>	Hang Straight Canopy <sup>17</sup>
<b>LDBPC</b>	LED Decorative Backing Plate Cover <sup>8</sup>
<b>LDCHX</b>	LED Decorative Backing Plate Cover & Hex Cover <sup>8</sup>

**J - LIGHT SOURCE**

<b>LED11</b>	850 Lumen, 11W LED
<b>LED16</b>	1250 Lumen, 16W LED
<b>LED27</b>	2000 Lumen, 27W LED
<b>LED38</b>	3000 Lumen, 38W LED
<b>LED43</b>	4000 Lumen, 43W LED

**K - COLOR TEMPERATURE**

<b>2700K</b>	2700K, Warm White
<b>3000K</b>	3000K, Neutral White
<b>3500K</b>	3500K, Bright White
<b>4000K</b>	4000K, Cool White

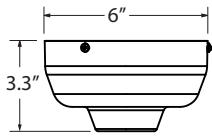
**L - LED LENS**

<b>DL</b>	Domed Lens
<b>FL</b>	Flat Lens

**IMPORTANT:** (1) Not available in Natural Metals (2) Not compatible with 16" shade size (3) All Porcelain Enamel finished shades feature a white interior and a black outer rim (4) All Powder Coat finished shades, Galvanized excluded, feature a white interior (5) Only applicable if Chain Hung Mounting Style selected in Section A, select NA if another Mounting Style is selected (6) Natural Metals have a longer estimated manufacturing time, please check the website for exact lead time. There are no returns accepted on Natural Metals (7) Only applicable if Stem Mounting Style is selected in Section A (8) Not available with G36 Gooseneck option

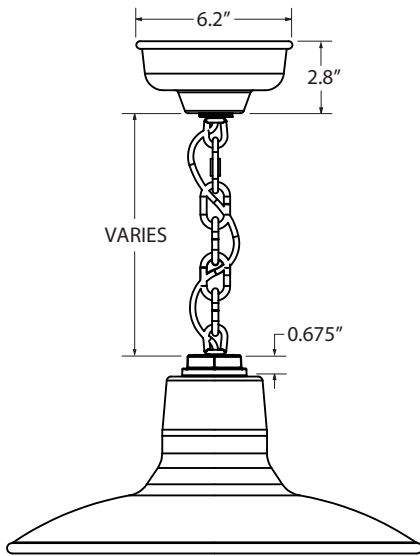
**MOUNTING STYLE**

**HIGH LUMEN CANOPY FOR PENDANT & FLUSH MOUNT**



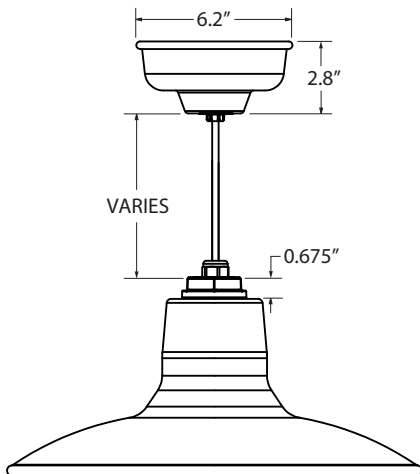
Required if LED 27, 38, 43 Light Source selected in Section J

**CHAIN HUNG PENDANT (CN)**



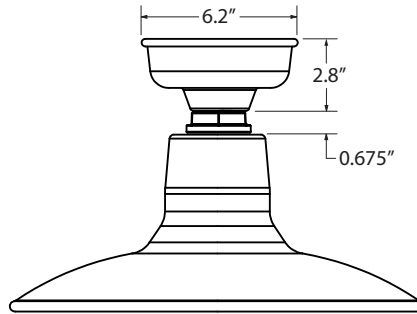
Canopy shown required if LED 11 & 16 Light Source selected in Section J

**CORD HUNG PENDANT (C)**



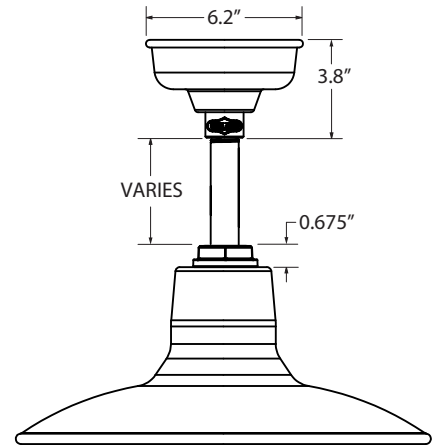
Canopy shown required if LED 11 & 16 Light Source selected in Section J

**FLUSH MOUNT (F)**



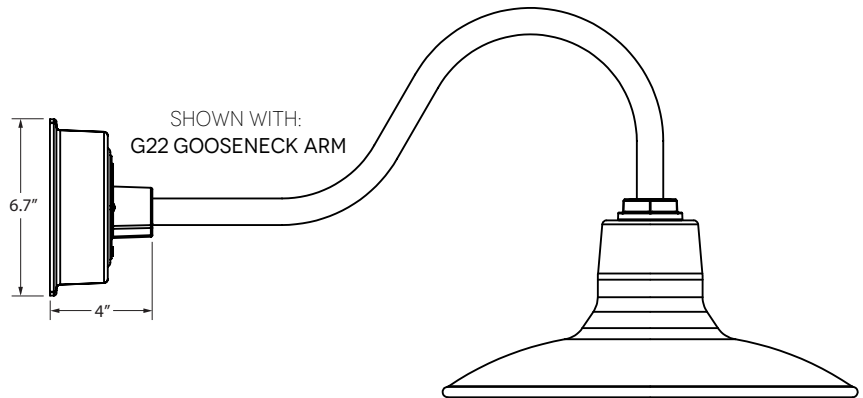
Canopy shown required if LED 11 & 16 Light Source selected in Section J

**STEM MOUNT PENDANT (S)**

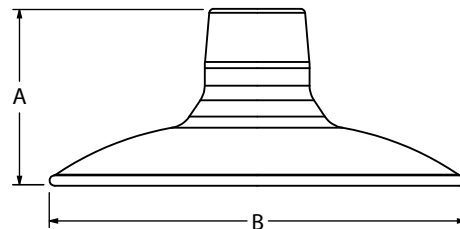


Canopy shown required if LED 11 & 16 Light Source selected in Section J

**GOOSENECK (G)**



**LUMINAIRE DIMENSIONS**



SHADE CODE	HEIGHT (A)	DIAMETER (B)
SBD12	5.25"	12"
SBD14	6"	14"
SBD16	6.75"	16"

**SPECIFICATIONS**

**LED 11, 16, 27, 38, 43 LIGHT SOURCE**

LED TYPE: CREE LMH2 MODULE  
 INITIAL LUMENS DELIVERED: UP TO 4000 LUMENS  
 L90(6K) > 36,300 HOURS  
 AVAILABLE CCT: 2700K, 3000K, 3500K, 4000K  
**Custom Temperatures Available upon Request**  
 90+ CRI  
 2 STEP MACADAMS ELLIPSE  
 EFFICACY: UP TO 93 LPW  
**High Efficacy Available upon Request, Consult Factory for Additional Information**

**DIMMING**

LED 11 & 16  
**Triac Dimming at 100-120VAC, Able to Dim down to 5%.  
 Dependent on Specific Dimmer.  
 0-10V & ELV Dimming Available upon Request.**  
 LED 27, 38 & 43  
**0-10V Dimming, Able to Dim down to 10%.  
 Dependent on Specific Dimmer.  
 Triac & ELV Dimming Available upon Request.**  
 TRIAC & ELV DIMMING AT 230 VAC  
**Available by Request**  
 COMPATIBLE DIMMERS  
**Consult Factory for Additional Information on Dimming**

**LED 27, 38, 43 ELECTRICAL/LED DRIVER**

DRIVER TYPE: LMD400      DRIVE CURRENT: 940mA  
 POWER FACTOR > 0.95      EFFICIENCY: UP TO 81% TYPICAL  
 INPUT VOLTAGE: 120-277 VAC (SEE DIMMING SECTION)  
 CLASS 2 POWER SUPPLY  
 LED DRIVER LIFETIME: > 50,000 HOURS (@ 25 DEG C AMBIENT)  
 CONDUCTED AND RADIATED EMI  
**Compliant with FCC CFR Title 47 Part 15 Class B (120 VAC), Class A (277 VAC) and EN55015 (CISPR 15) at 230 VAC**

**CERTIFICATIONS, LISTINGS & WARRANTY**

MADE IN THE USA  
**Manufactured and Hand-Crafted in Our 60,000 Square Foot Facility  
 Located in Titusville, FL**  
 CSA LISTED FOR WET LOCATIONS  
**Includes All Gooseneck, Stem and Flush Mounting Styles**  
 CSA LISTED FOR DAMP LOCATIONS  
**Includes All Chain and Select Cord Hung Mounting Styles**  
 LIMITED WARRANTY  
**For Additional Information on Our Limited Warranty, Please See  
 Our Terms & Conditions**  
 OPERATING TEMPERATURE  
 -30°C to 40°C

**LED 11, 16 ELECTRICAL/LED DRIVER**

DRIVER TYPE: LMD125  
 DRIVE CURRENT: 440mA  
 POWER FACTOR > 0.9  
 EFFICIENCY: UP TO 81% TYPICAL  
 INPUT VOLTAGE: 100-120 VAC (SEE DIMMING SECTION)  
 CLASS 2 POWER SUPPLY  
 LED DRIVER LIFETIME: > 50,000 HOURS (@ 25 DEG C AMBIENT)  
 CONDUCTED AND RADIATED EMI  
**Compliant with FCC CFR Title 47 Part 15 Class B (120 VAC), Class A (277 VAC) and EN55015 (CISPR 15) at 230 VAC**

**SHADE & FINISHES**

POWDER COAT SHADE  
**Hand-Spun from High Purity 0.050" Thick 3003-O Temper  
 Aluminum**  
 PORCELAIN SHADE  
**Hand-Spun from 20 Gauge Sheet Metal**  
 POWDER COAT FINISHES  
**Polyester Powder Coat Finishes Are Electro-Statically Applied and  
 Thermocured**  
 PORCELAIN FINISHES  
**Applied by Hand and Fired in a High Temperature Oven**  
 COPPER  
**Hand-Spun from High Purity .032 Thick C11000-O60 ETP Copper**  
 BRASS  
**Hand-Spun from High Purity .050" Thick C2600-O60 Brass**

**MOUNTING**

STEM  
**1/2" Nominal (0.84" Actual) or 3/4" Nominal (1.05" Actual) Sch 40,  
 6063 Aluminum Mounting Stem. Custom Lengths Available upon  
 Request.**  
 GOOSENECK  
**1/2" Nominal (0.84" Actual) or 3/4" Nominal (1.05" Actual) Sch 40,  
 6063 Aluminum Gooseneck**  
 CORD  
**Cord-Hung Pendants Include 7' of Standard Cord or 5' of Cloth  
 Cord, +/- For Socket Orientation**  
 CHAIN  
**4-Gauge Chain Complete with Quick Link for On-Site Adjustments  
 to Chain's Length**  
 MAX FIXTURE WEIGHT  
**10 lbs**