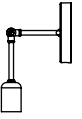




SPS-0098 REV B

DOWNTOWN MINIMALIST ADJUSTABLE SCONCE

JOB NAME: _____ FIXTURE TYPE: _____



BLE - W - PINDYK - _____
A

Order Example: BLE - W - PINDYK - 480

A - FINISHES

POWDER COAT FINISHES:

- 100 Black
- 105 Textured Black
- 106 Matte Black
- 200 White
- 206 Matte White
- 300 Dark Green
- 307 Emerald Green
- 311 Jadite
- 370 Mint
- 380 Chartreuse
- 390 Teal
- 400 Barn Red
- 420 Orange
- 470 Watermelon
- 480 Blush Pink
- 490 Magenta
- 495 Sherbet Orange
- 500 Buttery Yellow
- 570 Sunflower
- 600 Bronze
- 601 Chocolate
- 605 Rust

A - FINISHES (CONTINUED)

POWDER COAT FINISHES:

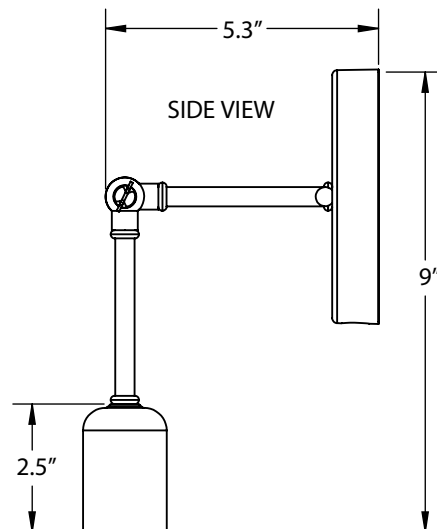
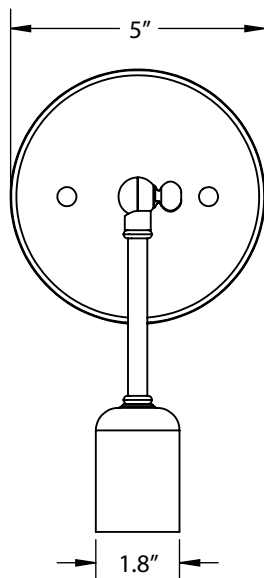
- 615 Oil-Rubbed Bronze
- 700 Royal Blue
- 705 Navy
- 710 Cobalt Blue
- 715 Delphite Blue
- 790 Lavender
- 800 Industrial Grey
- 805 Charcoal Granite
- 810 Graphite
- 975 Galvanized

NATURAL METALS¹:

- 997 Raw Brass
- 998 Weathered Brass

IMPORTANT: (1) Natural Metals have a longer estimated manufacturing time, please check the website for exact lead time. There are no returns accepted on Natural Metals

MOUNTING DIMENSIONS



SPECIFICATIONS

CERTIFICATIONS, LISTINGS & WARRANTY

MADE IN THE USA
Manufactured and Hand-Crafted in Our 60,000 Square Foot Facility
Located in Titusville, FL

CSA LISTED FOR DAMP LOCATIONS

LIMITED WARRANTY
For Additional Information on Our Limited Warranty, Please See
Our Terms & Conditions

LIGHT SOURCE

INCANDESCENT
Medium Base E26 Socket, 120 VAC, 60W Max

CONSTRUCTION & FINISH

POWDER COAT CUP & CANOPY
Hand-Spun, High Purity 3003-O Temper Aluminum Canopy

POWDER COAT FINISHES
Polyester Powder Coat Finishes are Electro-Staticly Applied and
Thermocured

BRASS
Hand-Spun from High Purity C2600-O60 Brass