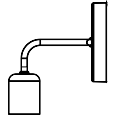




SPS-0502 REV B

DOWNTOWN MINIMALIST WOODEN SOCKET SCONCE

JOB NAME: _____ FIXTURE TYPE: _____



BLE - W - WPINDY - _____ - _____
 A B

Order Example: BLE - W - WPINDY - WAL - 997

A - WOODEN CUP

ASH	Ash Wood
MPL	Maple Wood
OAK	Oak Wood
WAL	Walnut Wood

B - FINISHES

POWDER COAT FINISHES:

100	Black
105	Textured Black
106	Matte Black
200	White
206	Matte White
300	Dark Green
307	Emerald Green
311	Jadite
370	Mint
380	Chartreuse
390	Teal
400	Barn Red
420	Orange
470	Watermelon
480	Blush Pink
490	Magenta

B - FINISHES (CONTINUED)

POWDER COAT FINISHES:

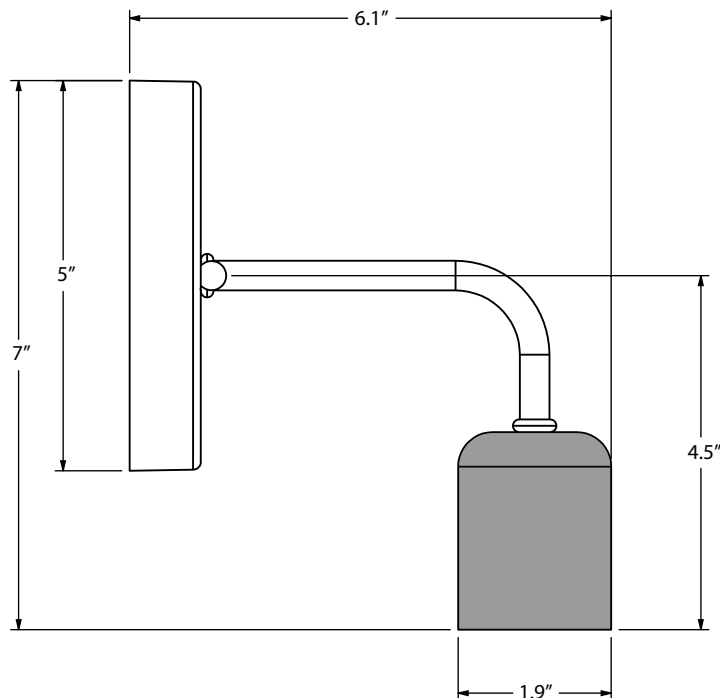
495	Sherbet Orange
500	Buttery Yellow
570	Sunflower
600	Bronze
601	Chocolate
605	Rust
615	Oil-Rubbed Bronze
700	Royal Blue
705	Navy
710	Cobalt Blue
715	Delphite Blue
790	Lavender
800	Industrial Grey
805	Charcoal Granite
810	Graphite
975	Galvanized


NATURAL METALS¹:

997	Raw Brass
998	Weathered Brass

IMPORTANT: (1) Natural Metals have a longer estimated manufacturing time, please check the website for exact lead time. There are no returns accepted on Natural Metals.

MOUNTING DIMENSIONS



 Shaded Area Indicates Wood Component

SPECIFICATIONS

CERTIFICATIONS, LISTINGS & WARRANTY

MADE IN THE USA
Manufactured and Hand-Crafted in Our 60,000 Square Foot Facility
Located in Titusville, FL

WOOD SOURCING AND SUSTAINABILITY
All Wood Is Sourced from North American Suppliers Who Practice
Responsible Forestry. With Sustainability in Mind, Our Material
Suppliers Have Policies in Place Regarding Planned Felling,
Minimum Tree Diameter, and Felling Rotation to Ensure Regrowth.

UL LISTED FOR DAMP LOCATIONS

LIMITED WARRANTY
For Additional Information on Our Limited Warranty, Please See
Our Terms & Conditions

CONSTRUCTION & FINISH

WALL CANOPY
Hand-Spun, High Purity 3003-O Temper Aluminum

POWDER COAT FINISHES
Polyester Powder Coat Finishes are Electro-Statically Applied and
Thermocured on the Canopy

BRASS
Hand-Spun from High Purity C2600-O60 Brass

WOOD
The Wood Detailing of Our American-Made Lighting Is Handcrafted
from Solid Hardwoods by Our In-House Artisans.
Custom Woods Are Available upon Request, Please Contact Our
Sales Team for Additional Information.

WOOD FINISH
The Finish Is a Hand-Rubbed Danish Oil Which Is Buffed and Waxed
to a Natural Sheen Using Pure Carnauba Wax

LIGHT SOURCE

INCANDESCENT
Medium Base E26 Socket, 120 VAC, 60W Max