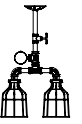




SPS-0193 REV B

EDWARD MACHINE AGE CHANDELIER

JOB NAME: _____ FIXTURE TYPE: _____



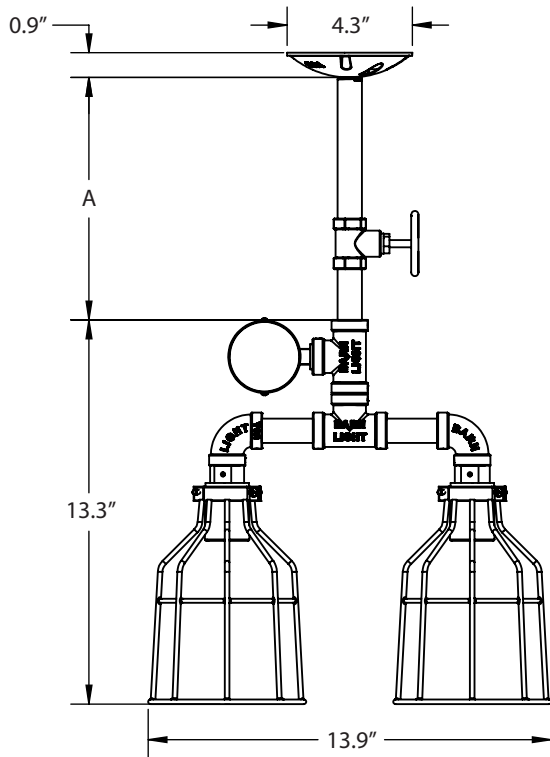
BLE - S - MA4 - _____ - _____
A B

Order Example: BLE - S - MA4 - 36 - NA

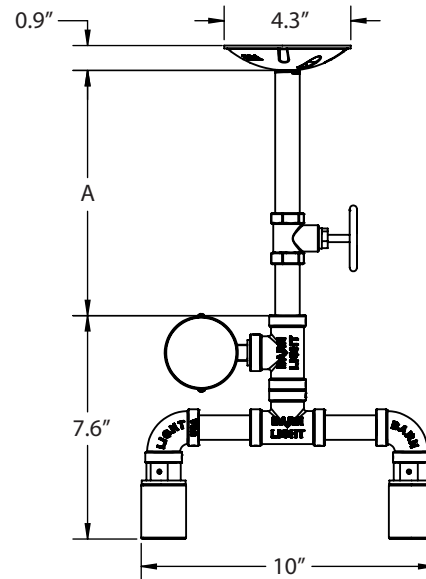
A - MOUNTING OPTIONS	B - WIRE CAGE
<p>STEM MOUNT OPTIONS:</p> <ul style="list-style-type: none"> 6 6" Stem, .5" Diameter 12 12" Stem, .5" Diameter 18 18" Stem, .5" Diameter 24 24" Stem, .5" Diameter 36 36" Stem, .5" Diameter 48 48" Stem, .5" Diameter 	<ul style="list-style-type: none"> NA None/No Wire Cage WC Wire Cage

IMPORTANT:

MOUNTING DIMENSIONS



SHOWN ABOVE WITH: 6" STEM & WIRE CAGES



SHOWN ABOVE WITH:
6" STEM & NO WIRE CAGES

STEM LENGTH	LENGTH (A)
6 (6" Stem)	8.4"
12 (12" Stem)	14.4"
18 (18" Stem)	20.4"
24 (24" Stem)	26.4"
36 (36" Stem)	38.4"
48 (48" Stem)	50.4"

SPECIFICATIONS

CERTIFICATIONS, LISTINGS & WARRANTY

MADE IN THE USA
Manufactured and Hand-Crafted in Our 60,000 Square Foot Facility
Located in Titusville, FL

UL LISTED FOR DRY LOCATIONS

LIMITED WARRANTY
For Additional Information on Our Limited Warranty, Please See
Our Terms & Conditions

LIGHT SOURCE

INCANDESCENT
(2) Medium Base E26 Sockets, 120 VAC, 60W Max

CONSTRUCTION & FINISH

STEAMPUNK AESTHETIC
Embellished with Valves, Gauges and Other Industrial Flourishes to
Demonstrate the Machine Age Heritage

AGED ALUMINUM FINISH

MOUNTING ARM
1/2" Nominal (.84" Actual) Sch 40, 6063 Aluminum Mounting Arm