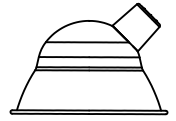




SPS-0176 REV B

EMBLEM SIGN LIGHT

JOB NAME: _____ FIXTURE TYPE: _____



BLE - G - _____ - _____ - _____ - _____ - _____ - _____ - _____ - _____

A B C D E F G

_____ - _____

H I

Order Example: BLE - G - ASE14 - 100 - G10 - 980 - SWK - WC - 975 - NA - E26

A - SHADE SIZE**EMBLEM:**

- ASE8** 8" Shade
ASE10 10" Shade
ASE12 12" Shade
ASE14 14" Shade

B - SHADE FINISH**PORCELAIN FINISHES¹:**

- 150** Black
250 White
350 Vintage Green
355 Jadite
455 Cherry Red
550 Yellow
650 Bronze
750 Cobalt Blue
765 Delphite Blue
850 Graphite
950 Metallic Chrome

POWDER COAT FINISHES²:

- 100** Black
105 Textured Black
200 White
300 Dark Green
307 Emerald Green
311 Jadite
370 Mint
380 Chartreuse
390 Teal
400 Barn Red
420 Orange
470 Watermelon
480 Blush Pink
490 Magenta
495 Sherbet Orange
500 Buttery Yellow
570 Sunflower
600 Bronze
601 Chocolate
605 Rust
615 Oil-Rubbed Bronze
700 Royal Blue
705 Navy
710 Cobalt Blue
715 Delphite Blue
790 Lavender
800 Industrial Grey
805 Charcoal Granite
810 Graphite
975 Galvanized

B - SHADE FINISH (CONTINUED)**NATURAL METALS³:**

- 995** Raw Copper
996 Weathered Copper
997 Raw Brass
998 Weathered Brass
999 Oil-Rubbed Copper

C - GOOSENECK ARMS**GOOSENECK OPTIONS:**

- | | |
|------------------------|------------------------|
| G1⁴ | G17 |
| G2⁴ | G19⁴ |
| G5⁴ | G22 |
| G6 | G24 |
| G7 | G25 |
| G8 | G26⁴ |
| G9 | G32 |
| G10 | G34⁴ |
| G11⁴ | G35⁴ |
| G12⁴ | G36⁴ |
| G13 | G40⁴ |
| G14 | G64⁴ |
| G15 | G65⁴ |
| G16⁴ | |

D - GOOSENECK ARM FINISH

Please Note: See **Section B** for all applicable Gooseneck Arm Finish Options. Gooseneck arms are also available in 980-Brushed Aluminum.
 (1) If Porcelain Finish selected, gooseneck arm will be powder coat painted-to-match.

- 980** Brushed Aluminum⁵

E - SWIVEL KNUCKLE

- NA** None
SWK Swivel Knuckle⁴

F - SHADE ACCESSORY

- NA** None
WC Wire Cage⁴

G - SHADE ACCESSORY FINISH

Please Note: See **Section B** for all applicable Wire Cage Finish Options.
 (I) Not available in Natural Metals
 (II) If Porcelain Finish is selected, wire cage will be powder coat painted-to-match.
 (III) If no wire cage selected in Section F, select NA.

- NA** Not Applicable

H - MOUNTING ACCESSORY⁶

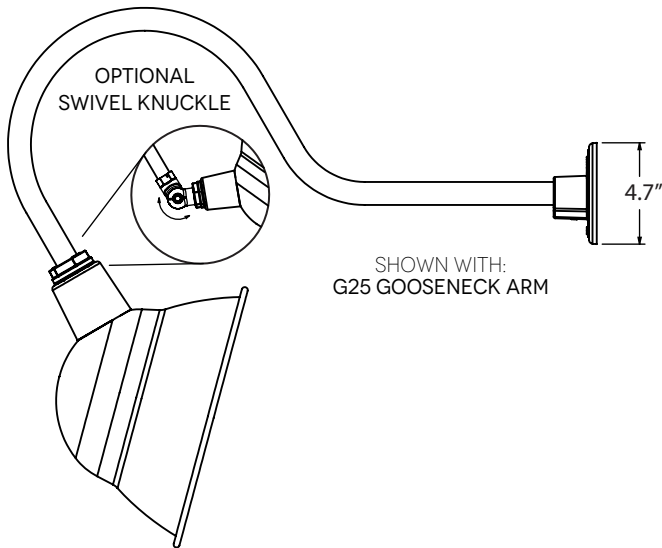
- NA** None
HDBP Heavy Duty Backing Plate⁴
DD Dusk-to-Dawn Photocell
DBPC Decorative Backing Plate Cover
DCHX Decorative Backing Plate Cover & Hex Cover

I - LIGHT SOURCE

- E26** 200 Watt Max
GU24 23 Watt Max

IMPORTANT: (1) All Porcelain Enamel finished shades feature a white interior and a black outer rim (2) All Powder Coat finished shades, Galvanized excluded, feature a white interior (3) Natural Metals have a longer estimated manufacturing time, please check the website for exact lead time. There are no returns accepted on Natural Metals (4) Not available in Natural Metals (5) Not available for G36, G40, G64, and G65 (6) Not available with G19 and G40

MOUNTING STYLE



LUMINAIRE DIMENSIONS

SHADE CODE	HEIGHT (A)	DIAMETER (B)
ASE8	6"	8"
ASE10	7"	10"
ASE12	8.5"	12"
ASE14	9.5"	14"

SPECIFICATIONS

CERTIFICATIONS, LISTINGS & WARRANTY

MADE IN THE USA
 Manufactured and Hand-Crafted in Our 60,000 Square Foot Facility Located in Titusville, FL

CSA LISTED FOR WET LOCATIONS

LIMITED WARRANTY
 For Additional Information on Our Limited Warranty, Please See Our Terms & Conditions

UL CERTIFICATION
 UL Listed Fixtures Available upon Request. Please Consult Factory for Additional Information.

CONSTRUCTION & FINISH (CONTINUED)

COPPER
 Hand-Spun from High Purity .032 Thick C11000-O60 ETP Copper

BRASS
 Hand-Spun from High Purity .050" Thick C2600-O60 Brass

GOOSENECK
 1/2" Nominal (0.84" Actual) or 3/4" Nominal (1.05" Actual) Sch 40, 6063 Aluminum Gooseneck

MAX FIXTURE WEIGHT
 10 lbs

CONSTRUCTION & FINISH

POWDER COAT SHADE
 Hand-Spun from High Purity 3003-O Temper Aluminum

GALVANIZE SHADE
 Hand Spun from High Quality Galvanized Steel

PORCELAIN SHADE
 Hand-Spun from 20 Gauge Porcelain Steel

POWDER COAT FINISHES
 Polyester Powder Coat Finishes Are Electro-Staticly Applied and Thermocured

PORCELAIN FINISHES
 Applied by Hand and Fired in a High Temperature Oven

LIGHT SOURCE

INCANDESCENT
 Medium Base E26 Socket, 120 VAC, 200W Max

COMPACT FLUORESCENT
 Bi-Pin Base GU24 Socket, 120 VAC, 23W Max