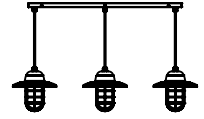




SPS-0549 REV B

**ENTERPRISE 3-LIGHT CHANDELIER**

JOB NAME: \_\_\_\_\_ FIXTURE TYPE: \_\_\_\_\_



BLE - C - CGG3 - VAN36 -



Order Example: BLE - C - CGG3 - VAN36 - 400 - SBK - 400 - FS - CGG - 400 - RIB - GU24 - NA

**A - FINISHES****POWDER COAT FINISHES:**

<b>100</b>	Black
<b>105</b>	Textured Black
<b>200</b>	White
<b>300</b>	Dark Green
<b>307</b>	Emerald Green
<b>311</b>	Jadite
<b>370</b>	Mint
<b>380</b>	Chartreuse
<b>390</b>	Teal
<b>400</b>	Barn Red
<b>420</b>	Orange
<b>470</b>	Watermelon
<b>480</b>	Blush Pink
<b>490</b>	Magenta
<b>495</b>	Sherbert Orange
<b>500</b>	Buttery Yellow
<b>570</b>	Sunflower
<b>600</b>	Bronze
<b>601</b>	Chocolate
<b>605</b>	Rust
<b>615</b>	Oil-Rubbed Bronze
<b>700</b>	Royal Blue
<b>705</b>	Navy
<b>710</b>	Cobalt Blue
<b>715</b>	Delphite Blue
<b>790</b>	Lavender

**A - FINISHES (CONTINUED)****POWDER COAT FINISHES:**

<b>800</b>	Industrial Grey
<b>805</b>	Charcoal Granite
<b>810</b>	Graphite
<b>975</b>	Galvanized

**B - CORDS****CSA LISTED CORD OPTIONS:**

<b>SBK</b>	Standard Black Cord
<b>SWH</b>	Standard White Cord
<b>CSB</b>	Black Cloth
<b>CSW</b>	White Cloth
<b>CMG</b>	Grey Cloth
<b>CSR</b>	Red Cloth
<b>CRZ</b>	Red Chevron Cloth
<b>CSBB</b>	Black & Brown Cloth
<b>CSRW</b>	Red & White Cloth
<b>CSGW</b>	Gold & White Cloth
<b>CSBG</b>	Black & Gold Cloth
<b>CSBW</b>	Black & White Cloth
<b>CSBP</b>	Black & Pink Cloth
<b>CSUW</b>	Blue & White Cloth

**C - CEILING CANOPY FINISH***Please Note: See Section A for all applicable Ceiling Canopy Finish Options***D - SHADE OPTION**

<b>NA</b>	No Shade
<b>FS</b>	Flared Shade
<b>WH</b>	Warehouse Shade

**E - CAST GUARD OPTION**

<b>WGG</b>	Wire Guard
<b>CGG</b>	Standard Cast Guard
<b>TGG</b>	Heavy Duty Cast Guard

**F - CAST GUARD FINISH***Please Note: See Section A for all applicable Cast Guard Finish Options***G - GLASS OPTIONS**

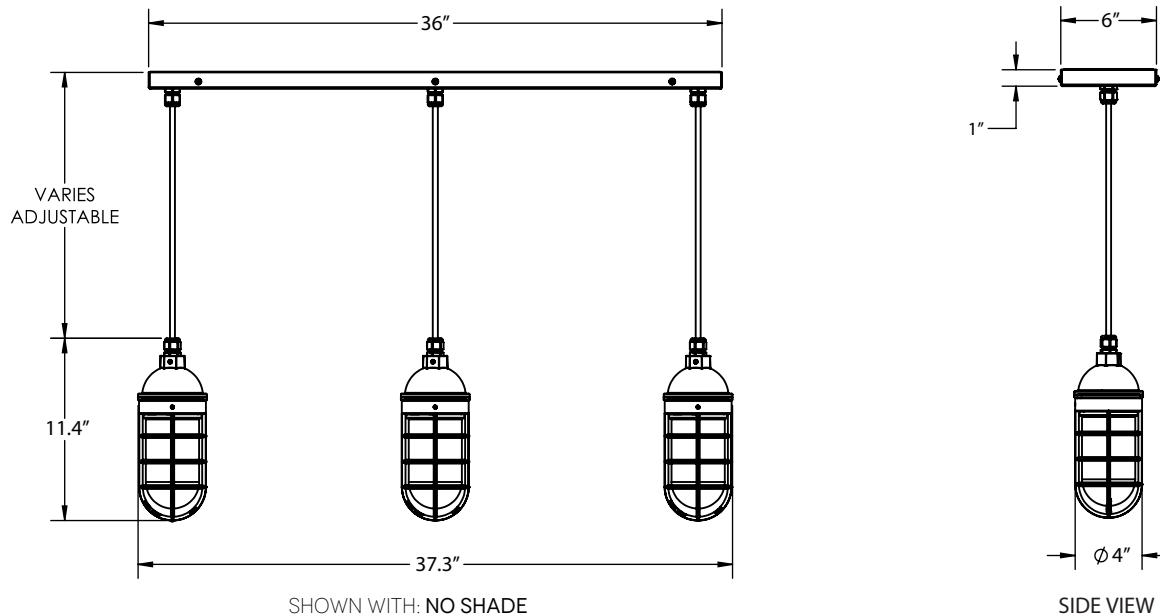
<b>CLR</b>	Clear Glass
<b>FST</b>	Frosted Glass
<b>RIB</b>	Ribbed Glass
<b>BLU</b>	Blue Glass
<b>RED</b>	Red Glass
<b>AMB</b>	Amber Glass
<b>GRN</b>	Green Glass

**H - LIGHT SOURCE**

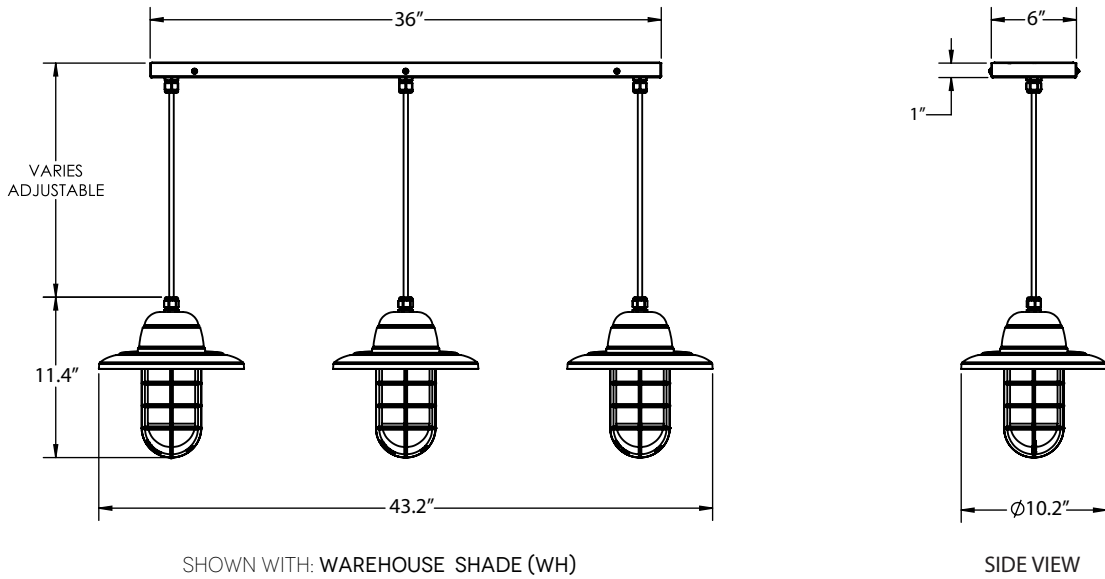
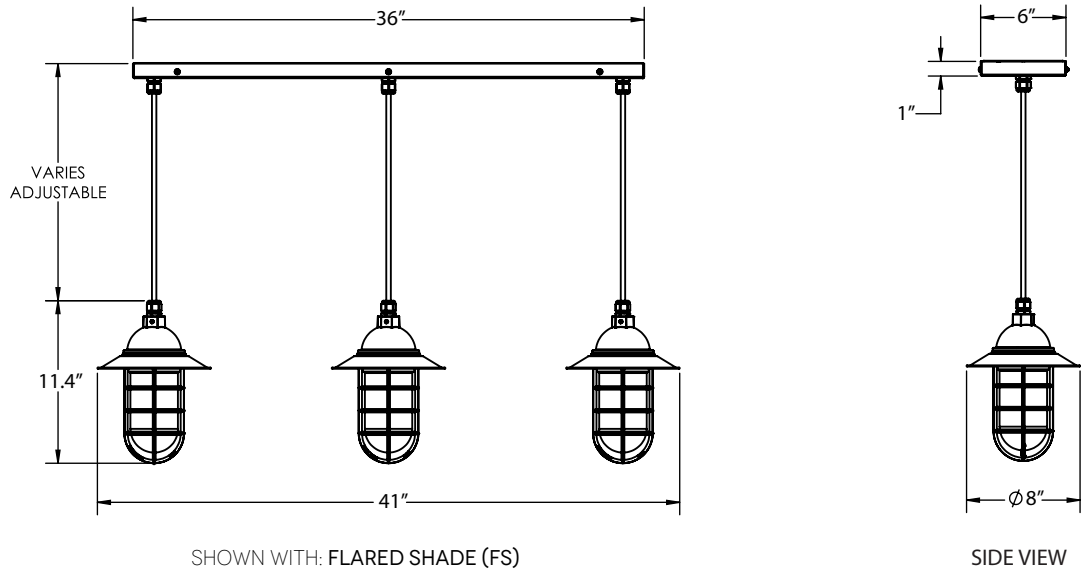
<b>E26</b>	100 Watt Max
<b>GU24</b>	24 Bi-Pin, 18W Max <sup>1</sup>
<b>LED16.8</b>	16W LED, 1600 LM

**I - COLOR TEMPERATURE<sup>2</sup>**

<b>NA</b>	Not Applicable
<b>2700K</b>	2700K, Warm White
<b>3000K</b>	3000K, Neutral White
<b>3500K</b>	3500K, Bright White
<b>4000K</b>	4000K, Cool White

**IMPORTANT:** (1) Fixtures configured with a GU24 socket are non-returnable (2) Selection only applicable if LED16.8 Light Source is selected in Section H, select NA if another Light Source is selected**MOUNTING DIMENSIONS**

**MOUNTING DIMENSIONS (CONTINUED)**



**SPECIFICATIONS**

**CERTIFICATIONS, LISTINGS & WARRANTY**

MADE IN THE USA  
 Manufactured and Hand-Crafted in our 60,000 Square Foot Facility  
 Located in Titusville, FL

CSA LISTED FOR DAMP LOCATIONS

LIMITED WARRANTY  
 For Additional Information on our Limited Warranty, Please See  
 Our Terms & Conditions

OPERATING TEMPERATURE  
 -30°C to 40°C

**CONSTRUCTION & FINISH**

VANITY PLATE  
 Crafted from High Quality Galvanized Steel

POWDER COAT FINISHES  
 Polyester Powder Coat Finishes are Electro-Statically Applied and  
 Thermocured

CORD  
 Cord-Hung Pendants Include 7' of Standard Cord and 5' of Cloth  
 Cord +/- For Socket Orientation

MAX FIXTURE WEIGHT  
 10 lbs

**SPECIFICATIONS (CONTINUED)**

**LIGHT SOURCE**

INCANDESCENT  
**Medium Base E26 Socket, 120 VAC, 100W Max**

COMPACT FLUORESCENT  
**Bi-Pin Base GU24 Socket, 120 VAC, 18W Max**

**LED16.8 LIGHT SOURCE**

LED TYPE: CREE CXB SERIES COB  
 INITIAL LUMENS DELIVERED: UP TO 1600 LUMENS  
 L90 (11K) > 61,000 HOURS  
 AVAILABLE CCT: 2700K, 3000K, 3500K, 4000K  
**Custom Temperatures Available upon Request**  
 90+ CRI (R9 TYPICAL 60)  
**80+ CRI and 95+ CRI (R9 Typical 85) Available upon Request**  
 2 STEP MACADAMS ELLIPSE  
 EFFICACY: UP TO 95 LPW  
**High Efficacy Available upon Request, Consult Factory for Additional Information**

**LED16.8 ELECTRICAL/LED DRIVER**

DRIVER TYPE: ERP EBRO20U-0400-42  
 DRIVE CURRENT: 400mA  
 POWER FACTOR > 0.9  
 EFFICIENCY: UP TO 85% TYPICAL  
 INPUT VOLTAGE: 120 VAC  
 CLASS 2 POWER SUPPLY  
 LED DRIVER LIFETIME: > 100,000 HOURS (@ 25 DEG C AMBIENT)  
 IP20 MINIMUM RATING CASE WITH SILICONE-BASED POTTING  
 PROTECTIONS  
**Output Open Load, Over-Current and Short-Circuit (hiccup), and Over-Temperature with Auto Recovery**  
 CONDUCTED AND RADIATED EMI  
**Compliant with FCC CFR Title 47 Part 15 Class B (120 VAC), Class A (277 VAC) and EN55015 (CISPR 15) at 220, 230 and 240 VAC**  
 COMPLIANT WITH  
**Complies with Energy Star® DLR (DesignLight Consortium®) and CA Title 24 Technical Requirements**

**DIMMING**

LED 16.8  
**Triac & ELV Dimming at 120VAC, Able to Dim down to 1%. Dependent on Specific Dimmer. 0-10V Dimming Available upon Request.**  
 COMPATIBLE DIMMERS  
**Consult Factory for Additional Information on Dimming**